

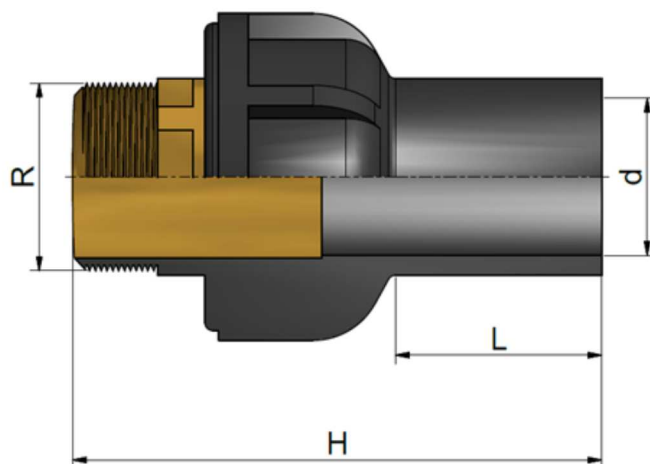
**PE 100 Fittings**  
***PE 100 Raccordi***

## PE 100 Adaptor fittings metric - BSP

### PE 100 Raccordi di passaggio metrico - BSP

#### MALE BRASS THREADED ADAPTOR ADATTATORE OTTONE FILETTATO MASCHIO

Rev. Jul 2019



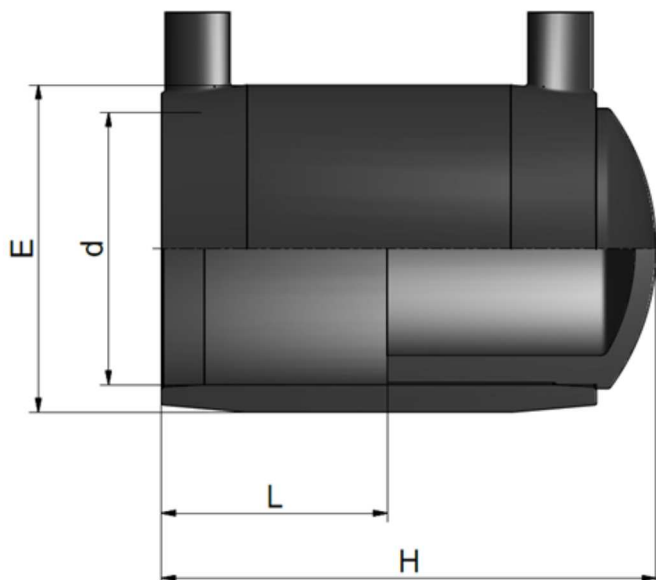
Code	d	R	L	H	PN	Weight (g)
REPMAM020B	20	1/2"	38	92	16	220
REPMAM025C	25	3/4"	40	99	16	250
REPMAM032D	32	1"	44	110	16	450
REPMAM040E	40	1"1/4	49	121	16	400
REPMAM050F	50	1"1/2	54	134	16	400
REPMAM063G	63	2"	63	150	16	5800
REPMAM075H	75	2"1/2	73	185	16	800
REPMAM090I	90	3"	82	181	16	1000
REPMAM110L	110	4"	84	164	16	1600

# PE 100 Electrofusion fittings

## PE 100 Raccordi elettrosaldabili

**CAP**  
**CALOTTA**

Rev. Jun 2019  
FN5041

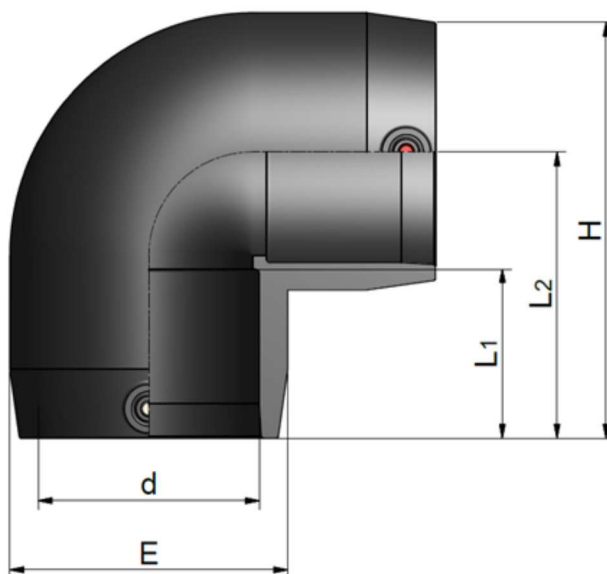


Code	d	E	L	H	PN	Weight (g)
REPCAD0200	20	29	37,5	82	16	40
REPCAD0250	25	33,5	37,5	82	16	50
REPCAD0320	32	43	37,5	84	16	80
REPCAD0400	40	51,5	44	97	16	110
REPCAD0500	50	61,5	44	101	16	140
REPCAD0630	63	77	49	115	16	230
REPCAD0750	75	92	59	133	16	390
REPCAD0900	90	110	60	138	16	530
REPCAD1100	110	133	70	164	16	890
REPCAD1250	125	151	75	175	16	1220
REPCAD1400	140	172	79	236	16	2250
REPCAD1600	160	195	86	202	16	2240
REPCAD1800	180	220	91	214	16	3130
REPCAD2000	200	243	92	215	16	4020
REPCAD2250	225	270	109	222	16	7000
REPCAD2500	250	295	108	220	16	8100

**PE 100 Electrofusion fittings**  
**PE 100 Raccordi elettrosaldabili**

**90° ELBOW**  
**GOMITO 90°**

Rev. Jun 2019  
 FN5041

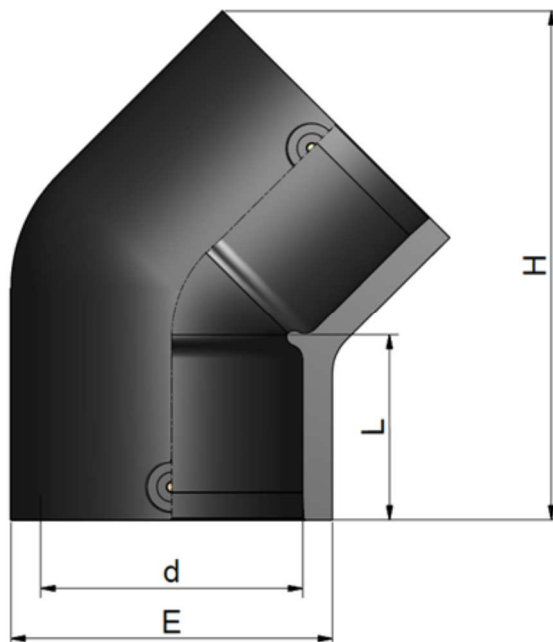


Code	d	E	L1	L2	H	PN	Weight (g)
REPGOD0200	20	43	40	63	83	16	150
REPGOD0250	25	35	41	60	76	16	60
REPGOD0320	32	44	40	62	84	16	100
REPGOD0400	40	52	42	65	91	16	120
REPGOD0500	50	63	45	72	103	16	170
REPGOD0630	63	81	50	84	123	16	310
REPGOD0750	75	95	53	92	141	16	440
REPGOD0900	90	113	60	109	185	16	680
REPGOD1100	110	137	73	135	204	16	1150
REPGOD1250	125	154	78	152	228	16	1640
REPGOD1600	160	201	87	205	305	16	5000
REPGOD1800	180	222	90	197	308	16	4120

**PE 100 Electrofusion fittings**  
**PE 100 Raccordi elettrosaldabili**

**45° ELBOW**  
**GOMITO 45°**

Rev. Jun 2019  
FN5041



Code	d	E	L	H	PN	Weight (g)
REPGYD0320	32	44	40	99	16	80
REPGYD0400	40	53	41,5	108	16	100
REPGYD0500	50	63	44,5	124	16	130
REPGYD0630	63	78,5	50	137	16	230
REPGYD0750	75	94	53	153	16	350
REPGYD0900	90	117	60	177	16	550
REPGYD1100	110	137	75	213	16	930
REPGYD1250	125	154	79	240	16	1250
REPGYD1600	160	201	89	283	16	4500
REPGYD1800	180	222	90	299	16	3130

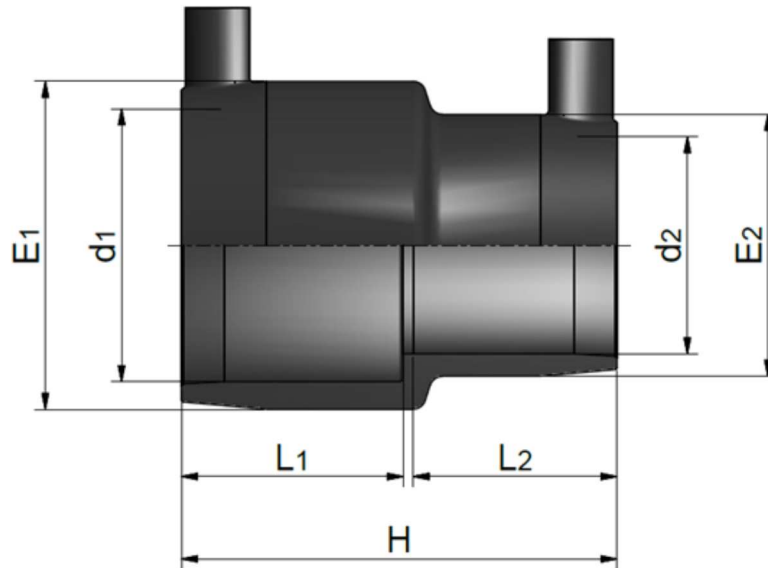
## PE 100 Electrofusion fittings

### PE 100 Raccordi elettrosaldabili

#### REDUCING PIECE M - F RIDUZIONE LUNGA M - F

Rev. Jun 2019

FN5041

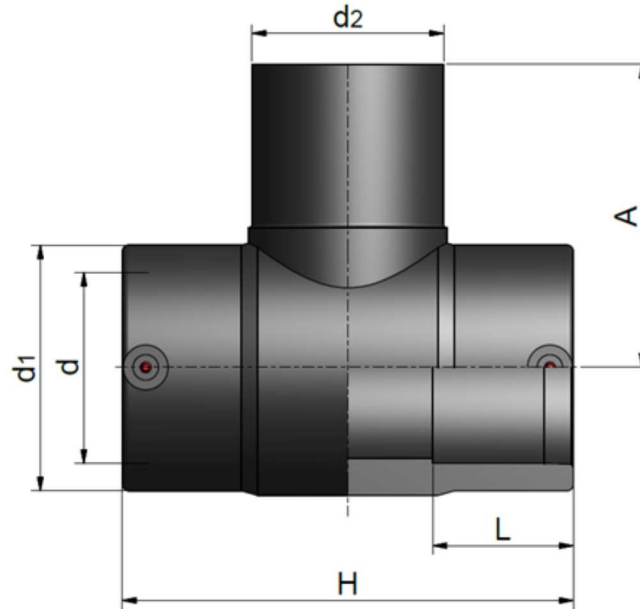


Code	d1	d2	E1	E2	L1	L2	H	PN	Weight (g)
REPRLD025B	25	20	34	29	38,5	36,5	77	16	40
REPRLD032B	32	20	43	29	38,5	36,5	77	16	50
REPRLD032C	32	25	43	34	38,5	37	77	16	50
REPRLD040D	40	32	52	44	46	43	91	16	80
REPRLD050D	50	32	62	44	46,5	41	91	16	90
REPRLD050E	50	40	62	52	46	43	91	16	100
REPRLD063D	63	32	78	44	52	44	102	16	140
REPRLD063E	63	40	78	52	52	45	102	16	140
REPRLD063F	63	50	78	62	52	48	102	16	150
REPRLD075G	75	63	98	82	61	57	126	16	440
REPRLD090G	90	63	109,5	79	61	55	122,5	16	300
REPRLD110G	110	63	140	98	75	54	136,5	16	590
REPRLD110I	110	90	134	112	68	62	137	16	550
REPRLD125I	125	90	152	112	75	62,5	145	16	700
REPRLD160L	160	110	200	140	89	73	184	16	1640
REPRLD180M	180	125	216	157	101	83	221	16	2160

**PE 100 Electrofusion fittings**  
**PE 100 Raccordi elettrosaldabili**

**90° TEE**  
**TI 90°**

Rev. Jun 2019  
 FN5041

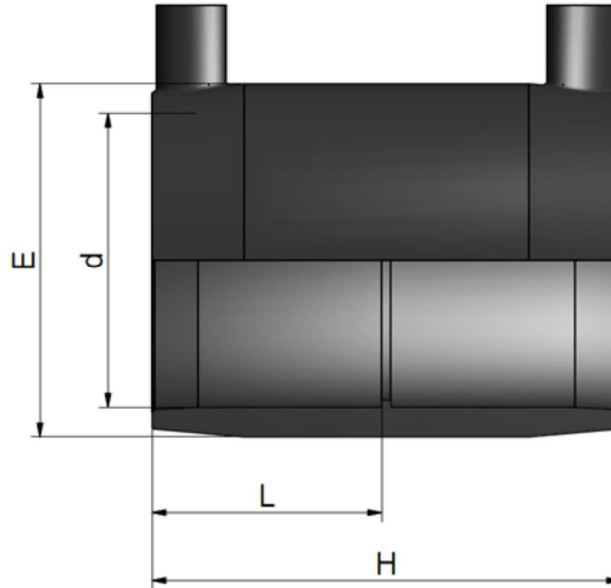


Code	d	d1	d2	L	H	A	PN	Weight (g)
REPTID0200	20	44	20	35	98	90	16	140
REPTID0250	25	44	25	35	98	90	16	130
REPTID0320	32	44	32	35	98	90	16	110
REPTID0400	40	52	40	44	131	91	16	160
REPTID0500	50	63	50	43	141	104	16	230
REPTID0630	63	82	63	50	156	114	16	450
REPTID0750	75	100	75	55	174	134	16	600
REPTID0900	90	115	90	64	203	143	16	970
REPTID1100	110	139	110	73	239	157	16	1670
REPTID1250	125	156	125	80	264	182	16	2300
REPTID1600	160	200	160	89	313	211	16	4060
REPTID1800	180	222	180	90	334	232	16	5300

**PE 100 Electrofusion fittings**  
**PE 100 Raccordi elettrosaldabili**

**SOCKET**  
**MANICOTTO**

Rev. Jun 2019  
 FN5041



Code	d	E	L	H	PN	Weight (g)
REPMAD0200	20	29	37,5	77	16	40
REPMAD0250	25	33,5	37,5	77	16	40
REPMAD0320	32	43	37,5	77	16	60
REPMAD0400	40	51,5	44	90	16	90
REPMAD0500	50	61,5	44	91	16	100
REPMAD0630	63	77	49	102	16	150
REPMAD0750	75	92	59	120	16	270
REPMAD0900	90	110	60	122	16	340
REPMAD1100	110	133	70	144	16	570
REPMAD1250	125	151	80	154	16	770
REPMAD1400	140	172	79	165	16	1450
REPMAD1600	160	195	86	175	16	1410
REPMAD1800	180	220	91	185	16	1920
REPMAD2000	200	243	92	186	16	2310
REPMAD2250	225	270	109	222	16	3600
REPMAD2500	250	300	108	220	16	4280
REPMAD2800	280	345	127	260	16	8320
REPMAD3150	315	386	128	261	16	10100
REPMAD3550	355	437	126	260	16	12300
REPMAD4000	400	499	147	295	16	15000

All descriptions and illustrations in this publication are intended for guidance only and shall not constitute a 'sale by description'. All dimensions given are nominal, while changes can be done on the information, products and specifications from time to time for a variety of reasons, without prior notice. The information in this publication is provided 'as is' on the revision date stated on the sheet. Updates will not be issued automatically. This information is not intended to have any legal effect, whether by way of advice, representation or warranty (express or implied). We accept no liability whatsoever (to the extent permitted by law) if you place any reliance on this publication you must do so at your own risk. All rights reserved. Copyright in this publication belongs to Polypipe Italia and all such copyright may not be used, sold, copied or reproduced in whole or part in any manner in any media to any person without prior consent. **EFFAST** is a registered trademark."