

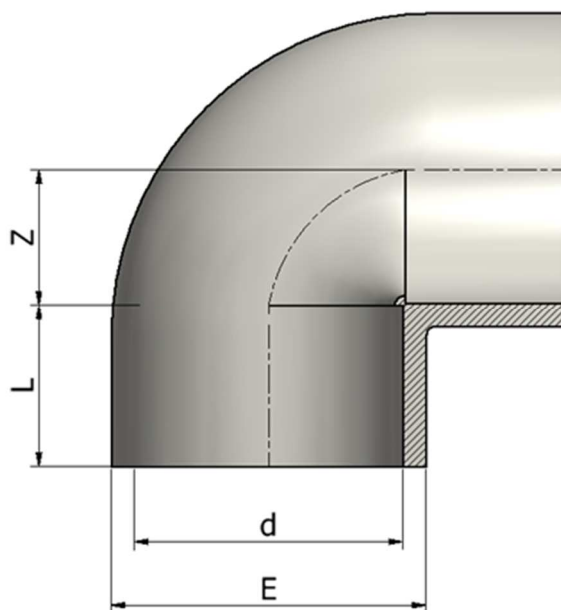
PP-H Fittings
PP-H Raccordi

PP-H Fittings for socket fusion jointing

PP-H Raccordi per saldatura nel bicchiere

ELBOW 90°
GOMITO 90°

Rev. Jun 2019

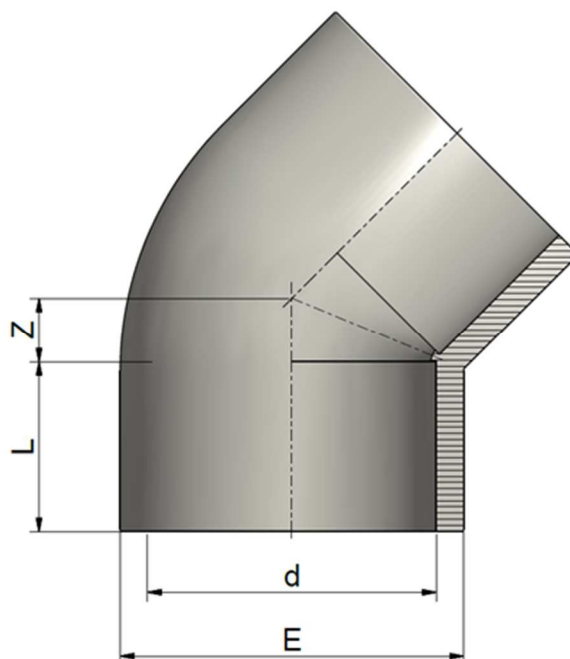


Code	d	L	Z	E	PN	Weight (g)
RHPGOH0200	20	16	11	29,5	10	17
RHPGOH0250	25	18	14	36	10	28
RHPGOH0320	32	20	18	43,5	10	45
RHPGOH0400	40	22	22	53	10	70
RHPGOH0500	50	25	27	66	10	130
RHPGOH0630	63	30	32,5	82	10	230
RHPGOH0750	75	32	39	93	10	288
RHPGOH0900	90	36,5	46	111	10	476
RHPGOH1100	110	43	57	134	10	805

PP-H Fittings for socket fusion jointing
PP-H Raccordi per saldatura nel bicchiere

ELBOW 45°
GOMITO 45

Rev. Jun 2019



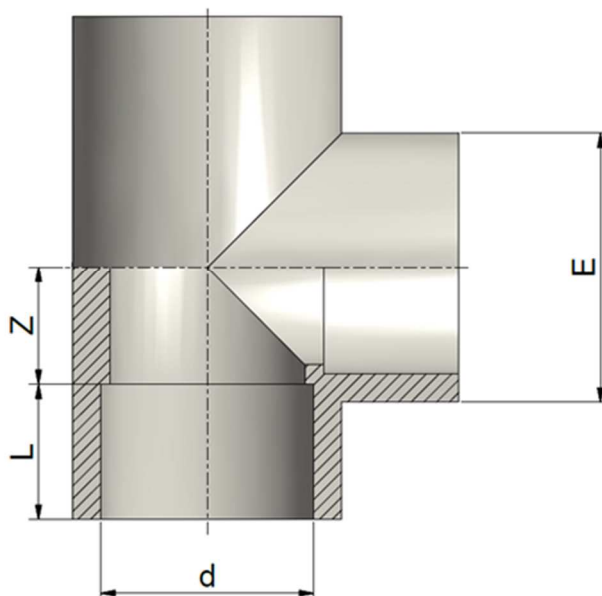
Code	d	L	Z	E	PN	Weight (g)
RHPGYH0200	20	16	5	29,5	10	15
RHPGYH0250	25	18	6	36	10	24
RHPGYH0320	32	20	8	43,5	10	36
RHPGYH0400	40	22	10	53	10	58
RHPGYH0500	50	25	12,5	64	10	92
RHPGYH0630	63	30	14	79	10	170
RHPGYH0750	75	33	20	92	10	233
RHPGYH0900	90	37,5	23,5	113	10	446
RHPGYH1100	110	43	58	135	10	657

PP-H Fittings for socket fusion jointing

PP-H Raccordi per saldatura nel bicchiere

TEE 90°
TI 90°

Rev. Jun 2019



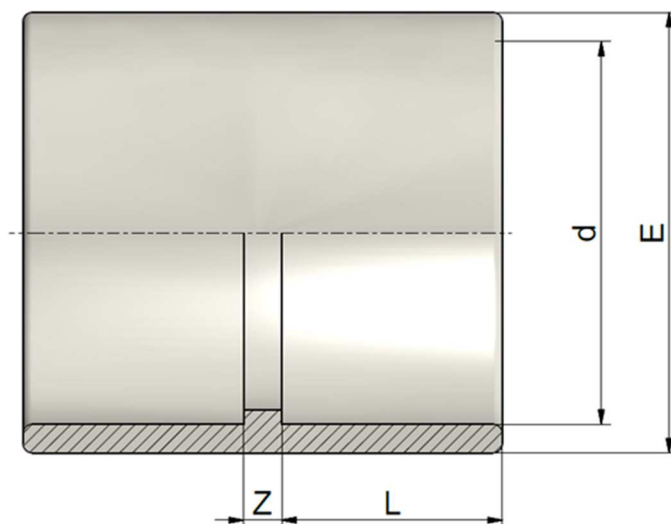
Code	d	L	Z	E	PN	Weight (g)
RHPTIH0200	20	16	11	29,5	10	20
RHPTIH0250	25	18	14	36	10	37
RHPTIH0320	32	20	18	43,5	10	58
RHPTIH0400	40	22	22	53,5	10	92
RHPTIH0500	50	25	27	66	10	146
RHPTIH0630	63	30	32,5	82	10	280
RHPTIH0750	75	30,5	40,5	93	10	450
RHPTIH0900	90	37,5	51,5	114	10	750
RHPTIH1100	110	44	57,5	134,5	10	1095

PP-H Fittings for socket fusion jointing

PP-H Raccordi per saldatura nel bicchiere

SOCKET MANICOTTO

Rev. Jun 2019

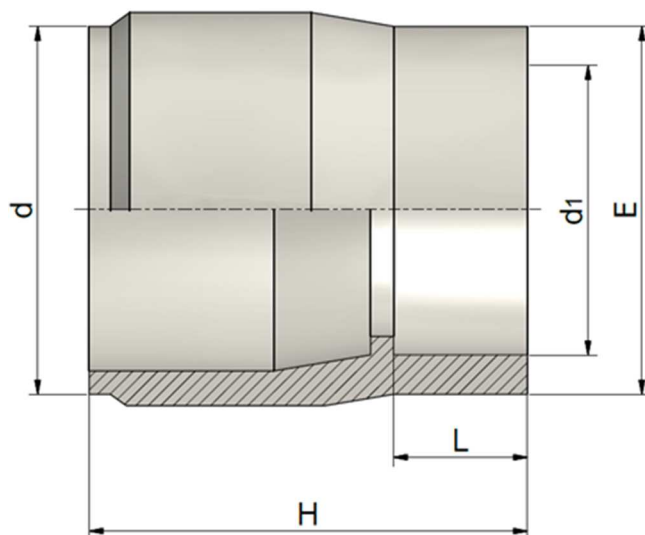


Code	d	L	Z	E	PN	Weight (g)
RHPMAH0200	20	16,5	3	30,5	10	12
RHPMAH0250	25	18,5	3,5	36	10	18
RHPMAH0320	32	20,5	3	43,5	10	28
RHPMAH0400	40	22,5	4	53,5	10	42
RHPMAH0500	50	25,5	4	66	10	65
RHPMAH0630	63	30	4	82	10	104
RHPMAH0750	75	33,5	3	92,5	10	153
RHPMAH0900	90	36	6	115	10	305
RHPMAH1100	110	43	6	135	10	409

PP-H Fittings for socket fusion jointing
PP-H Raccordi per saldatura nel bicchiere

REDUCING PIECE M – F
RIDUZIONE LUNGA M – F

Rev. Jun 2019



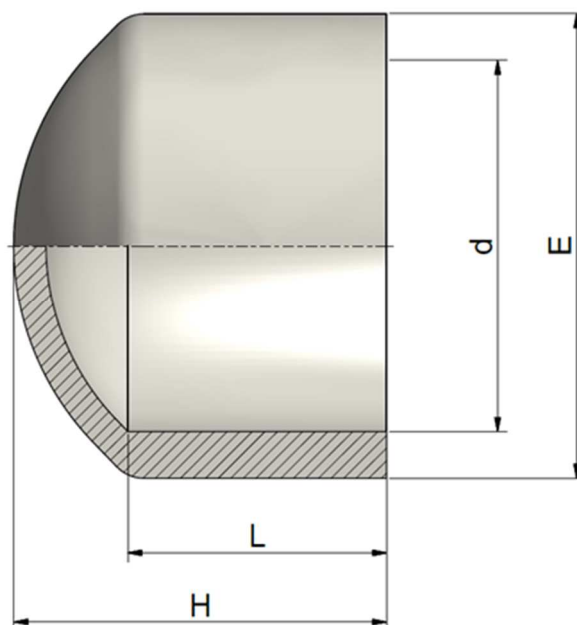
Code	d	d1	L	H	E	PN	Weight (g)
RHPRLH025B	25	20	16	39	29,5	10	11
RHPRLH032B	32	20	16	44,5	29	10	14
RHPRLH032C	32	25	17	45	34,5	10	18
RHPRLH040C	40	25	17	50	34,5	10	24
RHPRLH040D	40	32	19	50	42,8	10	27
RHPRLH050D	50	32	18,1	55	42,5	10	37
RHPRLH050E	50	40	26	54,5	52,8	10	43
RHPRLH063E	63	40	21,5	64,5	52,8	10	65
RHPRLH063F	63	50	25	65	64,8	10	76
RHPRLH075G	75	63	29	64	81,5	10	105
RHPRLH090G	90	63	29	87,5	81,5	10	160
RHPRLH090H	90	75	32	86,6	93	10	184
RHPRLH110G	110	63	29	90	81,2	10	252
RHPRLH110I	110	90	37	88	113	10	303

PP-H Fittings for socket fusion jointing

PP-H Raccordi per saldatura nel bicchiere

CAP
CALOTTA

Rev. Jun 2019

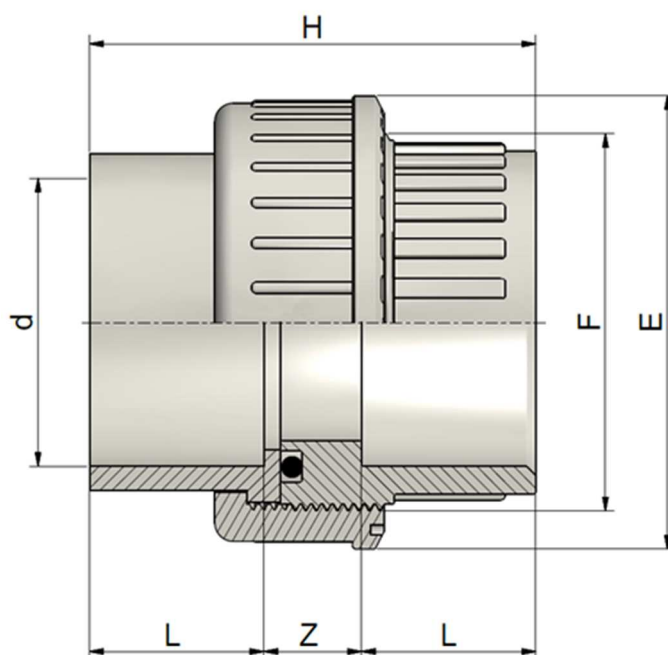


Code	d	L	Z	E	PN	Weight (g)
RHPCAH0200	20	16,5	27	30,5	10	9
RHPCAH0250	25	18,5	30	36	10	13
RHPCAH0320	32	20,5	34	43,5	10	22
RHPCAH0400	40	22,5	38	53,5	10	33
RHPCAH0500	50	25,5	44	66	10	52
RHPCAH0630	63	30	51	82	10	86
RHPCAH0750	75	32	67	98	10	160
RHPCAH0900	90	37	77	119	10	273
RHPCAH1100	110	42,5	93	133,5	10	419

PP-H Fittings for socket fusion jointing
PP-H Raccordi per saldatura nel bicchiere

UNION F-F
BOCCHETTONE F-F

Rev. Jun 2019

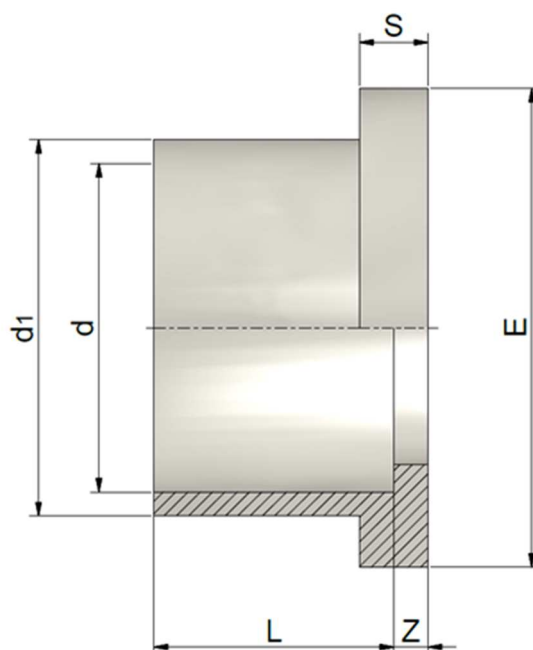


Code	d	L	Z	H	E	F	PN	Weight (g)
RHPBOH0200	20	16,5	12,5	45,5	42	1"	10	29
RHPBOH0250	25	18,5	13,5	50,5	52	1"1/4	10	49
RHPBOH0320	32	20,5	16,5	57,5	59	1"1/2	10	69
RHPBOH0400	40	22,5	22	67	72	2"	10	100
RHPBOH0500	50	25,5	25	76	79	2"1/2	10	150
RHPBOH0630	63	30	32,5	92,5	96	2"3/4	10	258

PP-H Fittings for socket fusion jointing
PP-H Raccordi per saldatura nel bicchiere

SERRATED FACE STUB FLANGE
COLLARE RIGATO PER FLANGE

Rev. Jun 2019

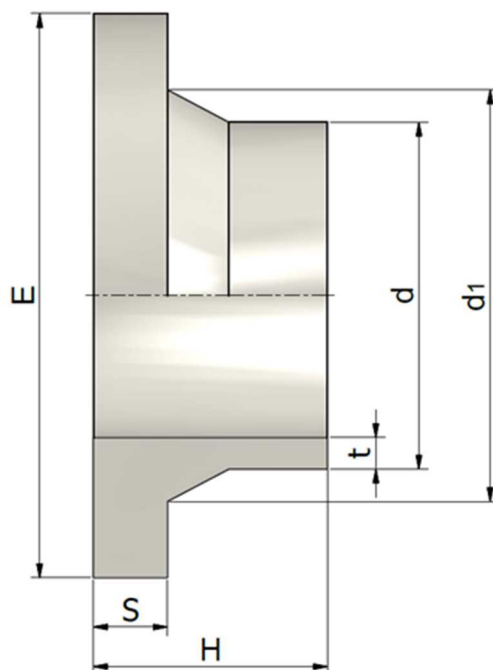


Code	d	d1	L	Z	E	S	PN	Weight (g)
RHPQRH0200	20	27	16	3	34	6	10	7
RHPQRH0250	25	33	18	3	41	7	10	11
RHPQRH0320	32	41	20	3	51	7	10	15
RHPQRH0400	40	50	22	3	61	8	10	24
RHPQRH0500	50	61	25	3	73	8	10	34
RHPQRH0630	63	76	30	3	90	9	10	60
RHPQRH0750	75	90	31,5	7	122	16	10	150
RHPQRH0900	90	108	37	4,5	138	17	10	202
RHPQRH1100	110	131	44	5	158	18	10	287

PP-H Fittings for butt socket fusion
PP-H Raccordi per saldatura di testa

SERRATED FACE STUB FLANGE SHORT FITTINGS SDR 11
COLLARE CODOLO CORTO PER FLANGE SDR 11

Rev. Jun 2019



Code	d	d1	H	E	S	t	PN	Weight (g)
RHPQBH0200	20	27	52	45	7	1,9	10	14
RHPQBH0250	25	33	52	58	9	2,3	10	27
RHPQBH0320	32	40	50	68	10	2,9	10	40
RHPQBH0400	40	50	52	78	11	3,7	10	61
RHPQBH0500	50	61	53	88	12	4,6	10	86
RHPQBH0630	63	75	50	102	14	5,8	10	122
RHPQBH0750	75	89	50,5	122	16	6,8	10	187
RHPQBH0900	90	105	82	138	17	8,2	10	322
RHPQBH1100	110	125	82	158	18	10	10	442
RHPQBH1250	125	132	82	158	25	11,4	10	491
RHPQBH1400	140	155	92	188	25	12,7	10	757
RHPQBH1600	160	175	92	212	25	14,6	10	956
RHPQBH1800	180	183	93	212	30	16,4	10	1000
RHPQBH2000	200	232	114	268	32	18,2	10	2040
RHPQBH2250	225	235	113	268	32	20,5	10	1960

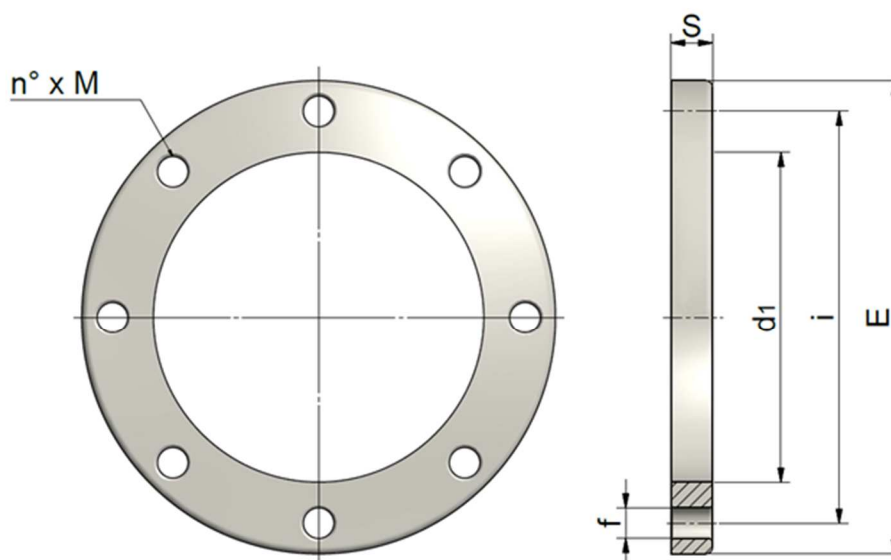
PP Flanges

PP Flange

BACKING RING DIN FLANGIA LIBERA DIN

Rev. Jul 2020

- PP-FRP grey / PP-FRP grigio
- Steel Insert / inserto acciaio
- Compatible with PP-H long and short spigot stub flanges / Compatibili con collari in PP-H a codolo lungo e corto



Code	d	d1	S	E	i	f	n° x M	PN	Weight (g)
RHPFLH0200	20	28	12	95	65	14	4 x M12	10	244
RHPFLH0250	25	34	14	108	75	14	4 x M12	10	309
RHPFLH0320	32	42	16	115	85	14	4 x M12	10	400
RHPFLH0400	40	51	18	140	100	18	4 x M16	10	605
RHPFLH0500	50	62	18	150	110	18	4 x M16	10	719
RHPFLH0630	63	78	18	165	125	18	4 x M16	10	770
RHPFLH0750	75	92	18	186	145	18	4 x M16	10	1114
RHPFLH0900	90	108	20	202	160	18	8 x M16	10	1175
RHPFLH1100	110	128	20	220	180	18	8 x M16	10	1335
RHPFLH1250	125	135	20	220	180	18	8 x M16	10	1210
RHPFLH1400	140	158	24	250	210	18	8 x M16	10	1950
RHPFLH1600	160	178	23	285	240	22	8 x M20	10	2640
RHPFLH1800	180	190	23	285	240	22	8 x M20	10	2250
RHPFLH2000	200	235	25	340	295	22	8 x M20	10	2680
RHPFLH2250	225	238	25	340	295	22	8 x M20	10	2660

PP Flanges

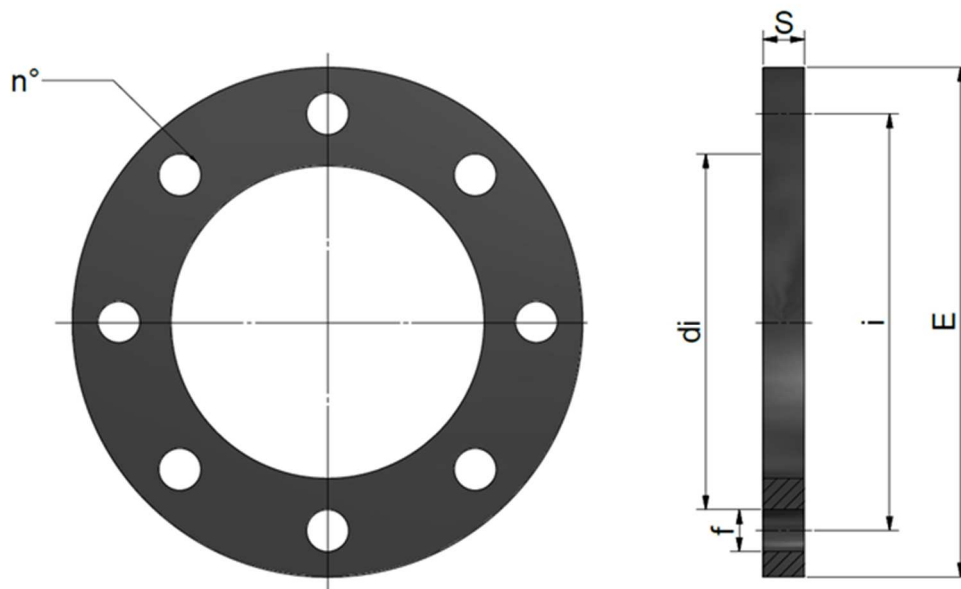
PP Flange

BACKING RING REINFORCED PP BLACK FOR PE STUB FLANGE WITH STEEL INSERT FLANGIA LIBERA IN ACCIAIO RIVESTITA IN PP BLACK PER CARTELLE IN PE

Rev. Jul 2020

FN5041

- PP glass fiber 30% reinforced with steel insert / *PP rinforzato fibra vetro 30% e inserto in acciaio*
- Dimensions: ISO 7005, EN 1092, BS 4504, DIN 2501 / *Dimensioni: ISO 7005, EN 1092, BS 4504, DIN 2501*
- Compatible with PE stub flanges and PP-H long spigot stub flanges / *Compatibili con collari in PE e collari in PP-H a codolo lungo*



Code	DN	di	i	E	S	f	n	PN	Weight (g)
REPFLZ0500	40	62	110	150	18	18	4	16	810
REPFLZ0630	50	78	125	165	18	18	4	16	1090
REPFLZ0750	65	92	145	185	18	18	4	16	1380
REPFLZ0900	80	108	160	200	18	18	8	16	1310
REPFLZ1100	100	128	180	220	18	18	8	16	1370
REPFLZ1250	100	135	180	220	18	18	8	16	1370
REPFLZ1400	125	158	210	250	24	18	8	16	2060
REPFLZ1600	150	178	240	285	24	22	8	16	2840
REPFLZ1800	150	188	240	285	24	22	8	16	2800
REPFLZ2000	200	235	295	340	24	22	8	10	3470
REPFLZ2250	200	238	295	340	26	22	8	10	3520

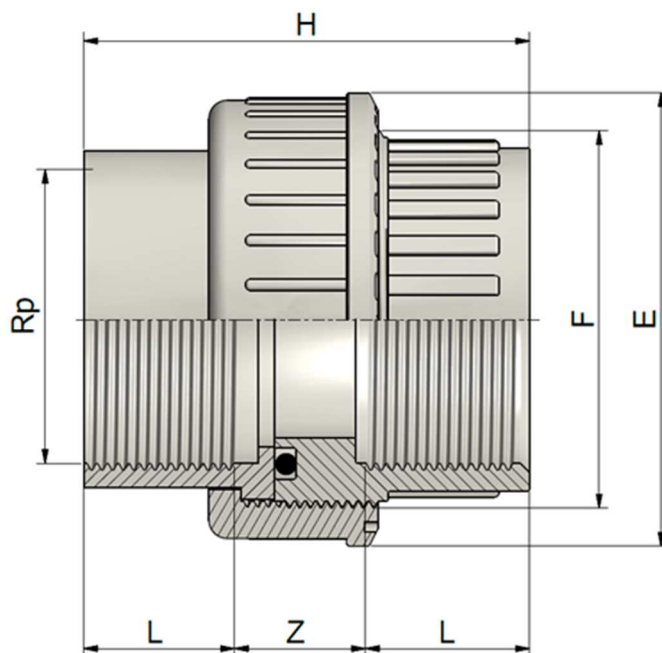
PP-H BSPP Threaded fittings

PP-H Raccordi filettati BSPP

UNION F-F

BOCCHETTONE F-F

Rev. Jun 2019



Code	Rp	L min	Z max	H	E	F	PN	Weight (g)
RHPBOEH020B	1/2"	15	14	44	42	1"	10	38
RHPBOEH025C	3/4"	16,3	15,7	48,3	52	1"1/4	10	58
RHPBOEH032D	1"	19,1	17,9	56,1	59	1"1/2	10	80
RHPBOEH040E	1"1/4	21,4	23,1	65,9	72	2"	10	118
RHPBOEH050F	1"1/2	21,4	29,1	71,9	79	2"1/4	10	170
RHPBOEH063G	2"	25,3	36,8	87,4	96	2"3/4	10	285

All descriptions and illustrations in this publication are intended for guidance only and shall not constitute a 'sale by description'. All dimensions given are nominal, while changes can be done on the information, products and specifications from time to time for a variety of reasons, without prior notice. The information in this publication is provided 'as is' on the revision date stated on the sheet. Updates will not be issued automatically. This information is not intended to have any legal effect, whether by way of advice, representation or warranty (express or implied). We accept no liability whatsoever (to the extent permitted by law) if you place any reliance on this publication you must do so at your own risk. All rights reserved. Copyright in this publication belongs to Polypipe Italia and all such copyright may not be used, sold, copied or reproduced in whole or part in any manner in any media to any person without prior consent. **EFFAST** is a registered trademark."