

**PVCu Check valves CV**  
**PVCu Valvole di non ritorno CV**

## PVC-U Double union spring check valves CV

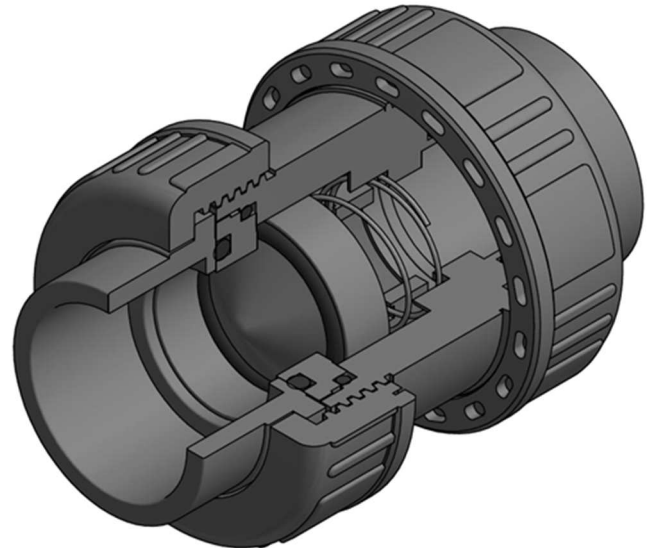
### PVC-U Valvole di non ritorno radiali a molla CV

Rev. Apr 2020

EFFAST CV valve is a PVC-U spring check valve ideal for use in applications that require precise closure and noiseless movement. CV check valve is suitable for use in water treatment, SPAs and pools.

*Le valvole EFFAST serie CV sono valvole di non ritorno a molla in PVC-U, ideali per applicazioni che richiedono una chiusura precisa e movimenti silenziosi. Le valvole di non ritorno CV sono adatte per utilizzo nei settori del trattamento acque, delle SPA e delle piscine.*

- Suitable for vertical and horizontal installation.  
*Adatta per installazione orizzontale e verticale.*
- Stainless Steel spring; PTFE coated spring on request.  
*Molla in acciaio Inox e, su richiesta, con rivestimento in PTFE.*
- EPDM or FKM seals available.  
*Disponibile con guarnizioni in EPDM o FKM.*
- Transparent PVC body available, for easier inspection of the plant.  
*Disponibile con corpo trasparente, per una più facile ispezione dell'impianto.*
- Marine Application Certificate.  
*Certificata per applicazioni navali.*



#### TECHNICAL FEATURES / CARATTERISTICHE TECNICHE

NOMINAL PRESSURE / PRESSIONE NOMINALE	PN 16 (20°C)
DIMENSIONS / DIMENSIONI	DN 15 ÷ DN 100 (d.16 ÷ 110 mm – 1/2" ÷ 4")
VALVE MATERIAL / MATERIALE VALVOLA	PVC-U
SEALS MATERIAL / MATERIALE GUARNIZIONI	O-rings: EPDM or FKM / O-ring: EPDM o FKM
SPRING MATERIAL / MATERIALE DELLE MOLLA	Stainless steel. PTFE coated on request. / Acciaio Inox. A richiesta, rivestita PTFE
TEMPERATURE RANGE / TEMPERATURA	0°C ÷ 60°C
COUPLING STANDARDS / GIUNZIONI	Solvent welded sockets: metric, BS / Manicotti incollaggio: metrici, BS Threaded sockets: BSPP / Manicotti filettati BSPP On request: JIS or ASTM solvent welded sockets, NPT threaded sockets / A richiesta: manicotti per incollaggio JIS e ASTM, manicotti filettati NPT



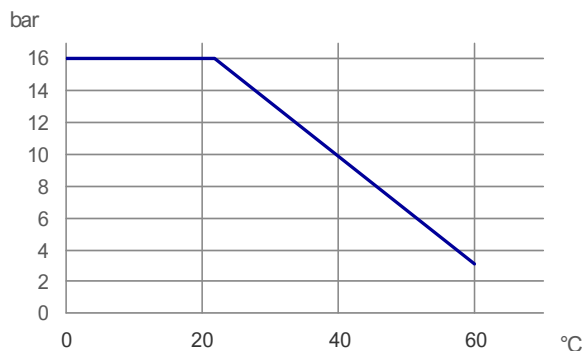
Certifications and approvals: only for items declared on Official Listing or certificates. / Certificazioni: solo per gli articoli dichiarati nelle Official Listing o nei certificati stessi.

## PVC-U Double union spring check valves CV PVC-U Valvole di non ritorno radiali a molla CV

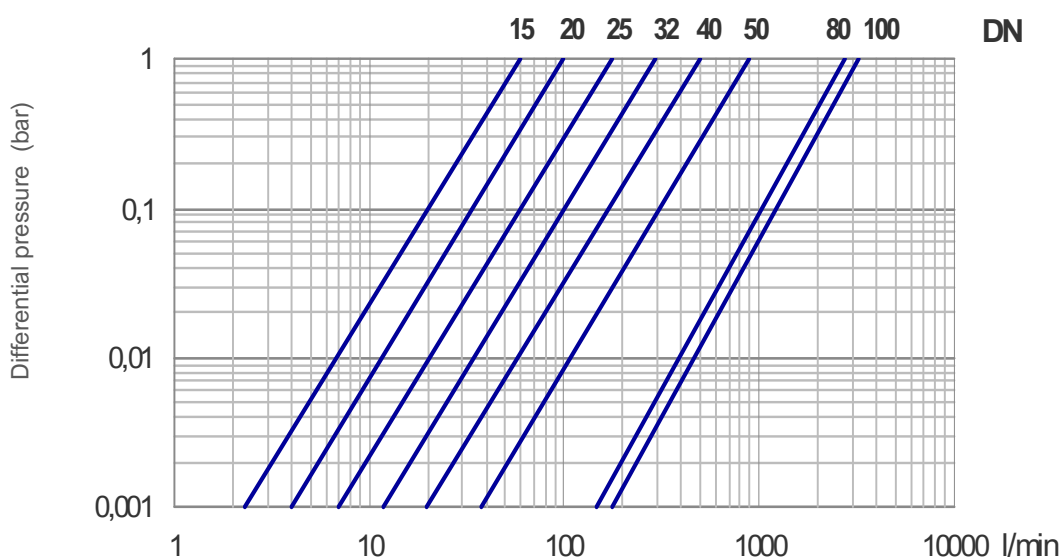
### Operating pressure / Pressione di esercizio

Maximum operating pressure for PVC-U: according to temperature as shown in graph.

Massima pressione di esercizio per il PVC-U: secondo quanto indicato nel grafico in figura.



### Pressure loss / Perdite di carico

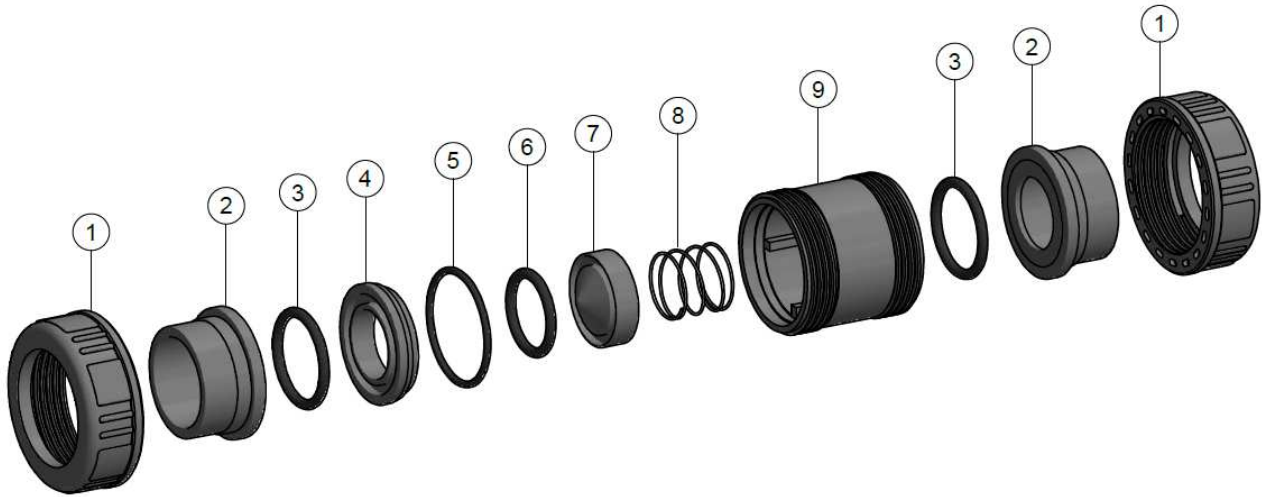


### Minimum opening pressure / Pressione minima di apertura

DN	DN 15	DN 20	DN 25	DN 32	DN 40	DN 50	DN 80	DN 100
bar	0.012	0.010	0.010	0.010	0.008	0.008	0.006	0.006

**PVC-U Double union spring check valves CV**  
**PVC-U Valvole di non ritorno radiali a molla CV**

**Components / Componenti**



n.	COMPONENT	MATERIAL	Qty
1	Nut / Ghiera	PVC-U	2
2	Socket / Manicotto	PVC-U	2
3	Socket O-ring / O-ring manicotto	EPDM/FKM	2
4	Gasket carrier / Supporto guarnizioni	PVC-U	1
5	Body O-ring / O-ring corpo	EPDM/FKM	1

n.	COMPONENT	MATERIAL	Qty
6	Plunger O-ring / O-ring otturatore	EPDM/FKM	1
7	Plunger / Otturatore	PVC-U	1
8	Spring / Molla	SS or PTFE coated	1
9	Body / Corpo	PVC-U	1

# PVC-U Double union spring check valves CV

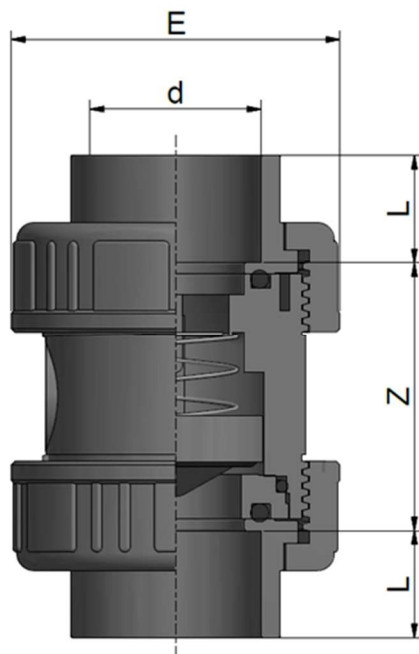
## PVC-U Valvole di non ritorno radiali a molla CV

### METRIC SOLVENT WELDED SOCKETS

### MANICOTTI METRICI PER INCOLLAGGIO

Rev. Feb 2020

- Spring: stainless steel / Molla: acciaio INOX
- Seals: EPDM or FKM / Guarnizioni: EPDM o FKM



Code EPDM	Code FKM	d	DN	L	Z	E	PN	Weight (g)
CDRCVD0200	CDRCVD020V	20	15	16	48	49	16	110
CDRCVD0250	CDRCVD025V	25	20	19	54	60	16	180
CDRCVD0320	CDRCVD032V	32	25	22	62	69	16	250
CDRCVD0400	CDRCVD040V	40	32	26	69	80	16	380
CDRCVD0500	CDRCVD050V	50	40	31	81	96	16	600
CDRCVD0630	CDRCVD063V	63	50	39	94	116	16	1000
CDRCVD0750	CDRCVD075V	75	80	44	141	167	16	2800
CDRCVD0900	CDRCVD090V	90	80	51	140	167	16	3000
CDRCVD1100	CDRCVD110V	110	100	61	157	179	10	5000



NSF and WRAS certifications: only for valves with EPDM seals. Certifications and approvals are related to items declared on Official Listing or certificates. /  
 Certificazioni NSF e WRAS: valide solo per le valvole con guarnizioni EPDM. Le certificazioni si riferiscono ai prodotti dichiarati nelle Official Listing o sui certificati stessi.

# PVC-U Double union spring check valves CV

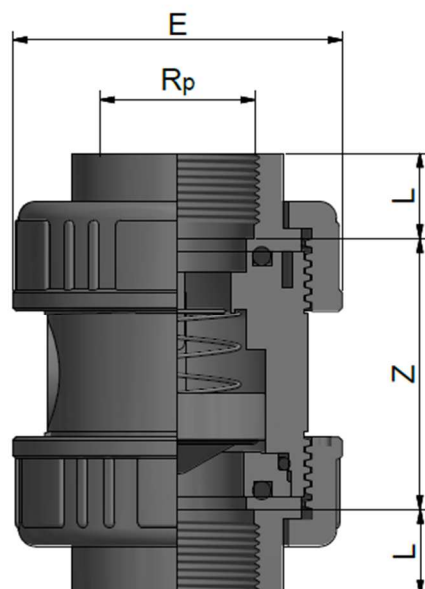
## PVC-U Valvole di non ritorno radiali a molla CV

### BSP THREADED SOCKETS

#### MANICOTTI FILETTATI BSPP

Rev. Feb 2020

- Thread according to ISO 228-1 / Filettatura secondo ISO 228-1
- Spring: PTFE coated stainless steel / Molla: acciaio inox rivestito PTFE
- Seals: EPDM or FKM / Guarnizioni: EPDM o FKM



Code EPDM	Code FKM	d	DN	L	Z	E	PN	Weight (g)
CERCVE016A	CERCVE016V	3/8"	15	11,4	57,2	49	16	110
CERCVE020B	CERCVE020V	1/2"	15	15	50	49	16	110
CERCVE025C	CERCVE025V	3/4"	20	16,3	59,4	60	16	180
CERCVE032D	CERCVE032V	1"	25	19,5	67	69	16	250
CERCVE040E	CERCVE040V	1"1/4	32	21,4	78,2	80	16	380
CERCVE050F	CERCVE050V	1"1/2	40	21,4	87,2	96	16	600
CERCVE063G	CERCVE063V	2"	50	25,7	98,6	116	16	1000
CERCVE075H	CERCVE075V	2"1/2	80	30,2	168,6	167	16	2800
CERCVE090I	CERCVE090V	3"	80	33,3	146,4	167	16	3000
CERCVE110I	CERCVE110I	4"	100	39,3	205,4	179	10	5000



NSF and WRAS certifications: only for valves with EPDM seals. Certifications and approvals are related to items declared on Official Listing or certificates. /  
 Certificazioni NSF e WRAS: valide solo per le valvole con guarnizioni EPDM. Le certificazioni si riferiscono ai prodotti dichiarati nelle Official Listing o sui certificati stessi.

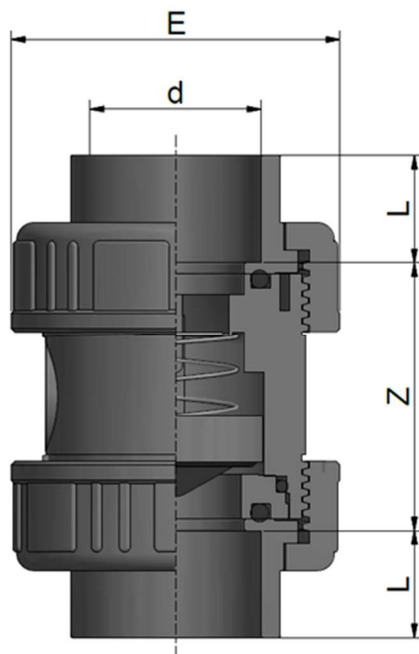
# PVC-U Double union spring check valves CV

## PVC-U Valvole di non ritorno radiali a molla CV

### BS SOLVENT WELDED SOCKETS MANICOTTI BS PER INCOLLAGGIO

Rev. Feb 2020

- Spring: stainless steel / Molla: acciaio INOX
- Seals: EPDM or FKM / Guarnizioni: EPDM o FKM



Code EPDM	Code FKM	d	DN	L	Z	E	PN	Weight (g)
CARCVA0200	CARCVA020V	1/2"	15	16	48	49	16	110
CARCVA0250	CARCVA025V	3/4"	20	19	54	60	16	180
CARCVA0320	CARCVA032V	1"	25	22	62	69	16	250
CARCVA0400	CARCVA040V	1"1/4	32	26	69	80	16	380
CARCVA0500	CARCVA050V	1"1/2	40	31	81	96	16	600
CARCVA0630	CARCVA063V	2"	50	39	94	116	16	1000
CARCVA0750	CARCVA075V	2"1/2	80	44	141	167	16	2800
CARCVA0900	CARCVA090V	3"	80	51	140	167	16	3000
CARCVA1100	CARCVA110V	4"	100	61	157	179	10	5000



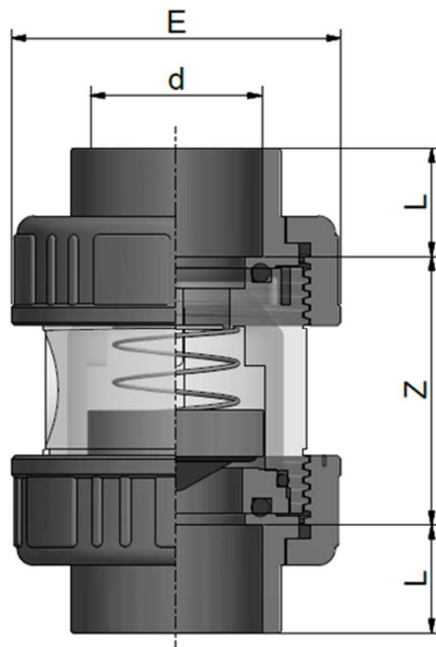
NSF and WRAS certifications: only for valves with EPDM seals. Certifications and approvals are related to items declared on Official Listing or certificates. /  
Certificazioni NSF e WRAS: valide solo per le valvole con guarnizioni EPDM. Le certificazioni si riferiscono ai prodotti dichiarati nelle Official Listing o sui certificati stessi.

## PVC-U Double union spring check valves CV PVC-U Valvole di non ritorno radiali a molla CV

### METRIC SOLVENT WELDED SOCKETS MANICOTTI METRICI PER INCOLLAGGIO

Rev. Feb 2020

- Body: transparent PVC-U / *Corpo: PVC-U trasparente*
- Spring: stainless steel / *Molla: acciaio INOX*
- Seals: EPDM / *Guarnizioni: EPDM*



Code EPDM	d	DN	L	Z	E	PN	Weight (g)
CDRCVT0200	20	15	16	48	49	16	110
CDRCVT0250	25	20	19	54	60	16	180
CDRCVT0320	32	25	22	62	69	16	250
CDRCVT0400	40	32	26	69	80	16	380
CDRCVT0500	50	40	31	81	96	16	600
CDRCVT0630	63	50	39	94	116	16	1000
CDRCVT0750	75	80	44	141	167	16	2800
CDRCVT0900	90	80	51	140	167	16	3000



NSF and WRAS certifications: only for valves with EPDM seals. Certifications and approvals are related to items declared on Official Listing or certificates. /  
Certificazioni NSF e WRAS: valide solo per le valvole con guarnizioni EPDM. Le certificazioni si riferiscono ai prodotti dichiarati nelle Official Listing o sui certificati stessi.



# PVC-U Double union spring check valves CV

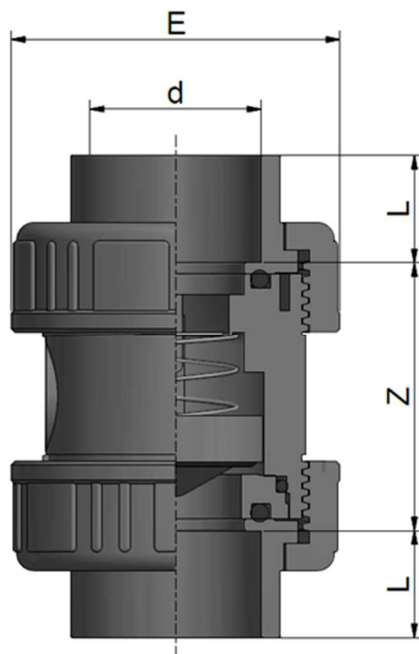
## PVC-U Valvole di non ritorno radiali a molla CV

### METRIC SOLVENT WELDED SOCKETS

### MANICOTTI METRICI PER INCOLLAGGIO

Rev. Feb 2020

- Spring: PTFE coated stainless steel / Molla: acciaio inox rivestito PTFE
- Seals: EPDM or FKM / Guarnizioni: EPDM o FKM



Code EPDM	Code FKM	d	DN	L	Z	E	PN	Weight (g)
CDRCVDT0160	CDRCVDT016V	16	15	14,5	51	49	16	110
CDRCVDT0200	CDRCVDT020V	20	15	16	48	49	16	110
CDRCVDT0250	CDRCVDT025V	25	20	19	54	60	16	180
CDRCVDT0320	CDRCVDT032V	32	25	22	62	69	16	250
CDRCVDT0400	CDRCVDT040V	40	32	26	69	80	16	380
CDRCVDT0500	CDRCVDT050V	50	40	31	81	96	16	600
CDRCVDT0630	CDRCVDT063V	63	50	39	94	116	16	1000
CDRCVDT0750	CDRCVDT075V	75	80	44	141	167	16	2800
CDRCVDT0900	CDRCVDT090V	90	80	51	140	167	16	3000
CDRCVDT1100	CDRCVDT110V	110	100	61	157	179	10	5000



NSF and WRAS certifications: only for valves with EPDM seals. Certifications and approvals are related to items declared on Official Listing or certificates. /  
 Certificazioni NSF e WRAS: valide solo per le valvole con guarnizioni EPDM. Le certificazioni si riferiscono ai prodotti dichiarati nelle Official Listing o sui certificati stessi.

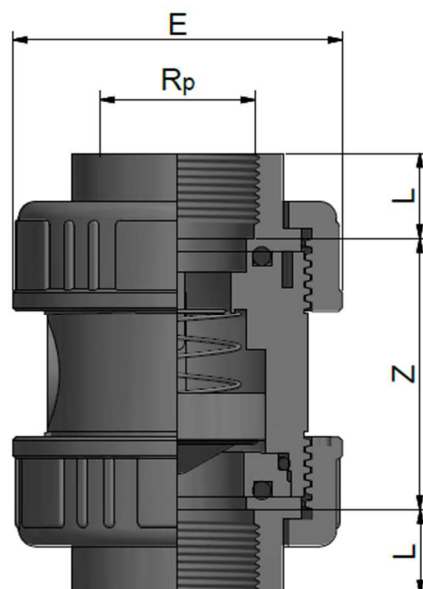
# PVC-U Double union spring check valves CV

## PVC-U Valvole di non ritorno radiali a molla CV

### BSPB THREADED SOCKETS MANICOTTI FILETTATI BSPB

Rev. Feb 2020

- Thread according to ISO 228-1 / Filettatura secondo ISO 228-1
- Spring: PTFE coated stainless steel / Molla: acciaio inox rivestito PTFE
- Seals: EPDM or FKM / Guarnizioni: EPDM o FKM



Code EPDM	Code FKM	Rp	DN	L min	Z max	E	PN	Weight (g)
CERCVET016A	CERCVET015V	3/8"	15	11,4	57,2	49	16	110
CERCVET020B	CERCVET020V	1/2"	15	15	50	49	16	110
CERCVET025C	CERCVET025V	3/4"	20	16,3	59,4	60	16	180
CERCVET032D	CERCVET032V	1"	25	19,5	67	69	16	250
CERCVET040E	CERCVET040V	1"1/4	32	21,4	78,2	80	16	380
CERCVET050F	CERCVET050V	1"1/2	40	21,4	87,2	96	16	600
CERCVET063G	CERCVET063V	2"	50	25,7	98,6	116	16	1000
CERCVET075H	CERCVET075V	2"1/2	80	30,2	168,6	167	16	2800
CERCVET090I	CERCVET090V	3"	80	33,3	146,4	167	16	3000
CERCVET110I	CERCVET110I	4"	100	39,3	205,4	179	10	5000



NSF and WRAS certifications: only for valves with EPDM seals. Certifications and approvals are related to items declared on Official Listing or certificates. /  
Certificazioni NSF e WRAS: valide solo per le valvole con guarnizioni EPDM. Le certificazioni si riferiscono ai prodotti dichiarati nelle Official Listing o sui certificati stessi.

# PVC-U Double union spring check valves CV

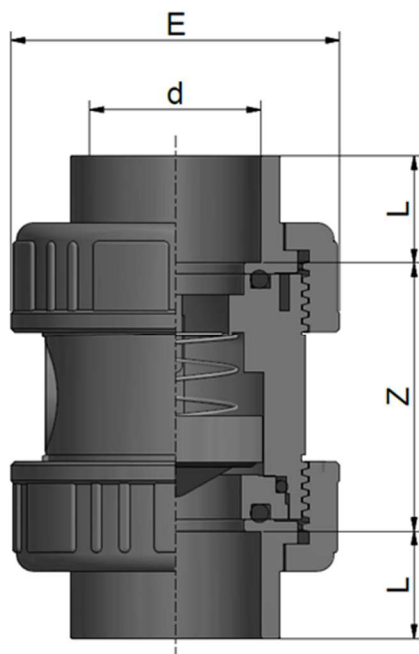
## PVC-U Valvole di non ritorno radiali a molla CV

### BS SOLVENT WELDED SOCKETS

#### MANICOTTI BS PER INCOLLAGGIO

Rev. Feb 2020

- Spring: PTFE coated stainless steel / Molla: acciaio inox rivestito PTFE
- Seals: EPDM or FKM / Guarnizioni: EPDM o FKM



Code EPDM	Code FKM	d	DN	L	Z	E	PN	Weight (g)
CARCVAT0200	CARCVAT020V	1/2"	15	16	48	49	16	110
CARCVAT0250	CARCVAT025V	3/4"	20	19	54	60	16	180
CARCVAT0320	CARCVAT032V	1"	25	22	62	69	16	250
CARCVAT0400	CARCVAT040V	1"1/4	32	26	69	80	16	380
CARCVAT0500	CARCVAT050V	1"1/2	40	31	81	96	16	600
CARCVAT0630	CARCVAT063V	2"	50	39	94	116	16	1000
CARCVAT0750	CARCVAT075V	2"1/2	80	44	141	167	16	2800
CARCVAT0900	CARCVAT090V	3"	80	51	140	167	16	3000
CARCVAT1100	CARCVAT110V	4"	100	61	157	179	10	5000



NSF and WRAS certifications: only for valves with EPDM seals. Certifications and approvals are related to items declared on Official Listing or certificates. /  
 Certificazioni NSF e WRAS: valide solo per le valvole con guarnizioni EPDM. Le certificazioni si riferiscono ai prodotti dichiarati nelle Official Listing o sui certificati stessi.

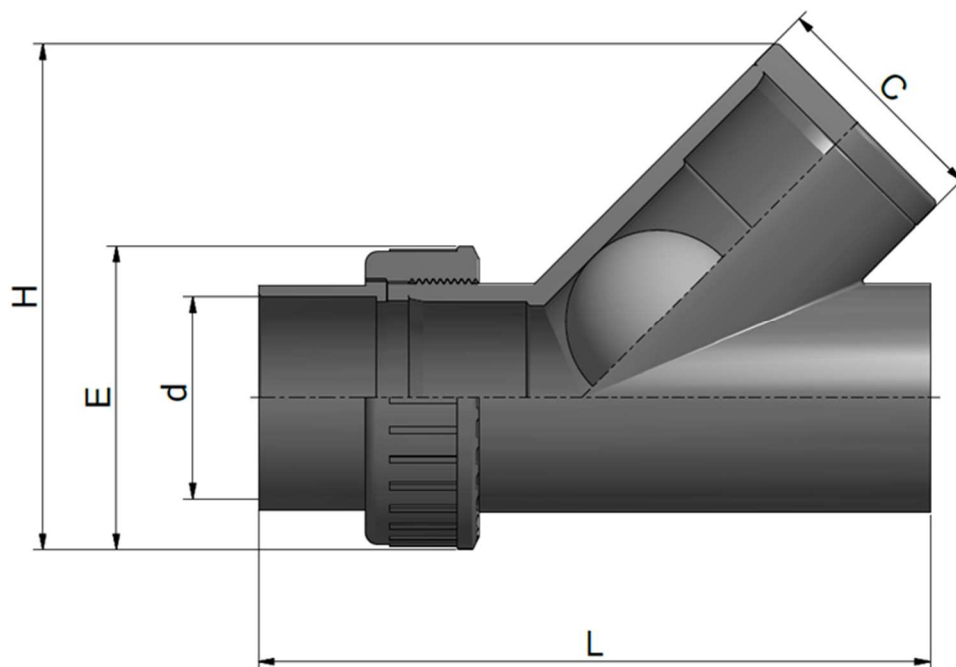
## PVC-U Angle seat ball check valves CP

### PVC-U Valvole di non ritorno a palla a sede inclinata CP

#### METRIC SOLVENT WELDED SOCKETS MANICOTTI METRICI PER INCOLLAGGIO

Rev. Jan 2020

FN4853



Code	d	DN	L	H	C	E	PN	Weight (g)
CDRCPD0160.T	16	15	85	78	34	49	10	109
CDRCPD0200.T	20	15	85	78	34	49	10	99
CDRCPD0250.T	25	20	94	92	41	57	10	154
CDRCPD0320.T	32	25	112	104	59	67	10	216
CDRCPD0400.T	40	32	144	127	61	81	10	420
CDRCPD0500.T	50	40	158	158	71	99	10	691
CDRCPD0630.T	63	50	190	181	90	112	10	1125
CDRCPD0750.T	75	65	270	238	114	154	10	3420
CDRCPD0900.T	90	80	324	286	137	178	10	4102

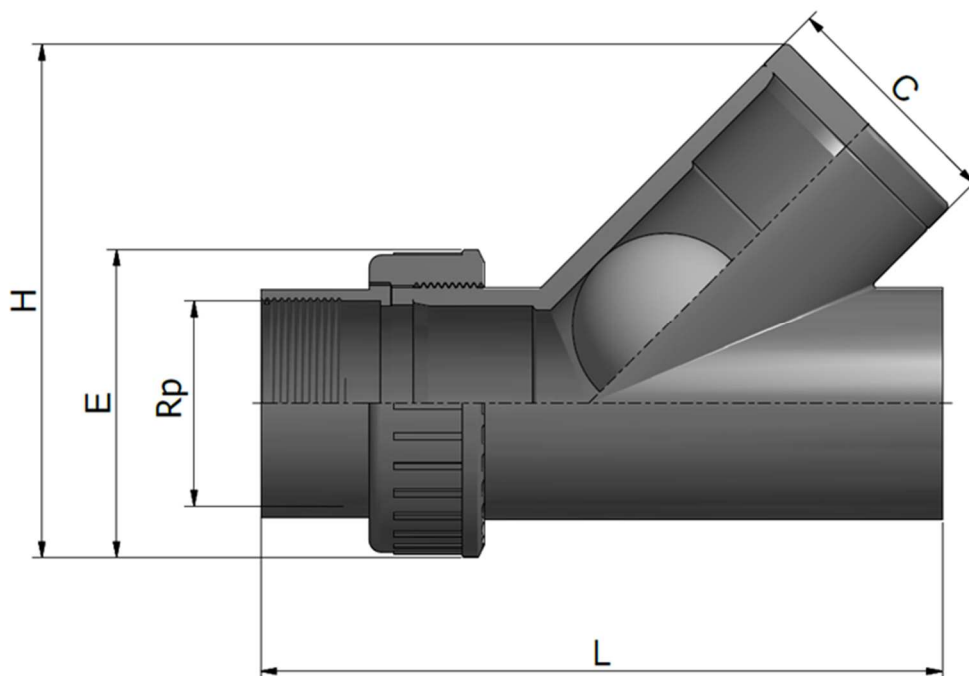
## PVC-U Angle seat ball check valves CP

### PVC-U Valvole di non ritorno a palla a sede inclinata CP

**BS SOLVENT WELDED SOCKETS**  
**MANICOTTI BS PER INCOLLAGGIO**

Rev. Jan 2020

FN4853



Code	Rp	DN	L	H	C	E	PN	Weight (g)
CERCPE0160.T	3/8"	15	85	78	34	49	10	110
CERCPE0200.T	1/2"	15	85	78	34	49	10	100
CERCPE0250.T	3/4"	20	94	92	41	57	10	155
CERCPE0320.T	1"	25	112	104	59	67	10	216
CERCPE0400.T	1"1/4	32	144	127	61	81	10	420
CERCPE0500.T	1"1/2	40	158	158	71	99	10	691
CERCPE0630.T	2"	50	190	181	90	112	10	1125
CERCPE0750.T	2"1/2	65	270	238	114	154	10	3420
CERCPE0900.T	3"	80	324	286	137	178	10	4102

All descriptions and illustrations in this publication are intended for guidance only and shall not constitute a 'sale by description'. All dimensions given are nominal, while changes can be done on the information, products and specifications from time to time for a variety of reasons, without prior notice. The information in this publication is provided 'as is' on the revision date stated on the sheet. Updates will not be issued automatically. This information is not intended to have any legal effect, whether by way of advice, representation or warranty (express or implied). We accept no liability whatsoever (to the extent permitted by law) if you place any reliance on this publication you must do so at your own risk. All rights reserved. Copyright in this publication belongs to Polypipe Italia and all such copyright may not be used, sold, copied or reproduced in whole or part in any manner in any media to any person without prior consent. **EFFAST** is a registered trademark."