

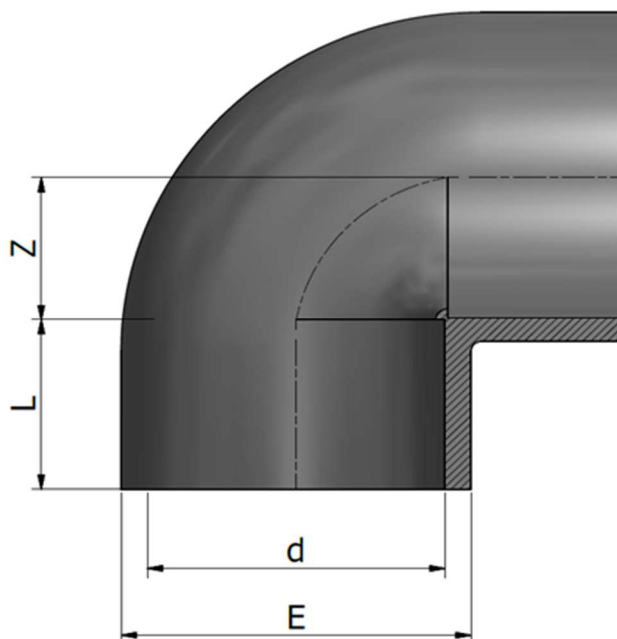
PVCu Solvent welded BS
PVCu Raccordi incollaggio BS

PVC-U Solvent welded BS fittings

PVC-U Raccordi per incollaggio BS

ELBOW 90°
GOMITO 90°

Rev. Aug 2019



Code	d	L	Z	E	PN	Weight (g)
RARGOA0160	3/8"	15	9	23	15	13
RARGOA0200	1/2"	17	11	27	15	17
RARGOA0250	3/4"	20	14	33	15	25
RARGOA0320	1"	23	17	41	15	45
RARGOA0400	1"1/4	27	23	51	15	70
RARGOA0500	1"1/2	32	28	61	15	151
RARGOA0630	2"	38	34	75	15	273
RARGOA0750	2"1/2	44	40	89	15	384
RARGOA0900	3"	52	48	106	15	670
RARGOA1100	4"	63	58	133	15	1238
RARGOA1400	5"	76	72	164	15	2097
RARGOA1600	6"	90	81	198	15	4261
RARGOA2250	8"	119	115	258	15*	8765

*Reduced safety factor / *Fattore di sicurezza ridotto*

Marks / Marchi: 1. BSI



NSF and WRAS certifications: only for valves with EPDM seals. Certifications and approvals are related to items declared on Official Listing or certificates. /
Certificazioni NSF e WRAS: valide solo per le valvole con guarnizioni EPDM. Le certificazioni si riferiscono ai prodotti dichiarati nelle Official Listing o sui certificati stessi.

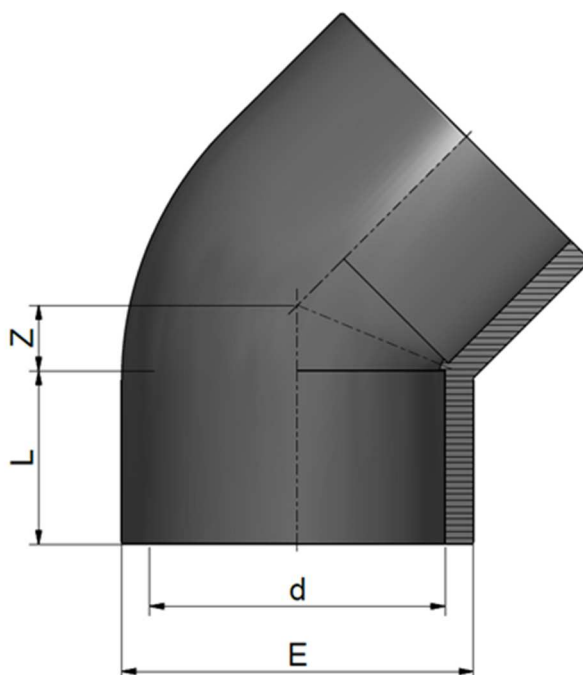
PVC-U Solvent welded BS fittings

PVC-U Raccordi per incollaggio BS

ELBOW 45°

GOMITO 45°

Rev. Feb 2020



Code	d	L	Z	E	PN	Weight (g)
RARGYA0160	3/8"	15	5	23	15	10
RARGYA0200	1/2"	17	5	27	15	17
RARGYA0250	3/4"	20	6	33	15	25
RARGYA0320	1"	23	8	41	15	37
RARGYA0400	1"1/4	27	10	50	15	65
RARGYA0500	1"1/2	32	12	61	15	126
RARGYA0630	2"	38	15	75	15	225
RARGYA0750	2"1/2	44	19	89	15	302
RARGYA0900	3"	52	21	106	15	488
RARGYA1100	4"	63	25	133	15	838
RARGYA1400	5"	76	32	164	15	1650
RARGYA1600	6"	90	36	198	15	3096
RARGYA2250	8"	119	49	258	15*	6740

*Reduced safety factor / *Fattore di sicurezza ridotto*

Marks / *Marchi*: 1. BSI



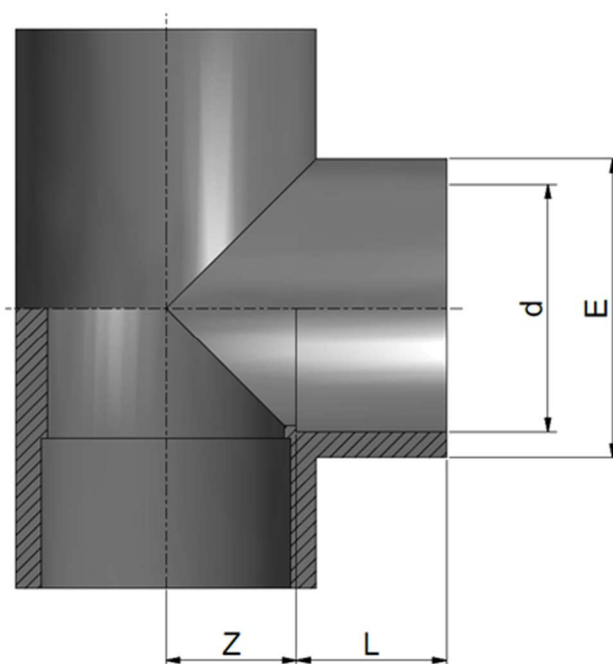
NSF and WRAS certifications: only for valves with EPDM seals. Certifications and approvals are related to items declared on Official Listing or certificates. /
 Certificazioni NSF e WRAS: valide solo per le valvole con guarnizioni EPDM. Le certificazioni si riferiscono ai prodotti dichiarati nelle Official Listing o sui certificati stessi.

PVC-U Solvent welded BS fittings

PVC-U Raccordi per incollaggio BS

TEE 90°
TI 90°

Rev. Aug 2019



Code	d	L	Z	E	PN	Weight (g)
RARTIA0160	3/8"	15	9	24	15	15
RARTIA0200	1/2"	17	11	28	15	25
RARTIA0250	3/4"	20	14	34	15	44
RARTIA0320	1"	23	17	42	15	75 ¹
RARTIA0400	1"1/4	27	21	51	15	120
RARTIA0500	1"1/2	32	26	61	15	172 ¹
RARTIA0630	2"	38	33	75	15	363
RARTIA0750	2"1/2	44	39	89	15	495
RARTIA0900	3"	51	47	106	15	790 ¹
RARTIA1100	4"	63	57	133	15	1330 ¹
RARTIA1400	5"	76	71	163	15	2550
RARTIA1600	6"	90	81	198	15	4100 ¹
RARTIA2250	8"	119	114	258	15*	9700

*Reduced safety factor / *Fattore di sicurezza ridotto*

Marks / *Marchi*: 1. BSI

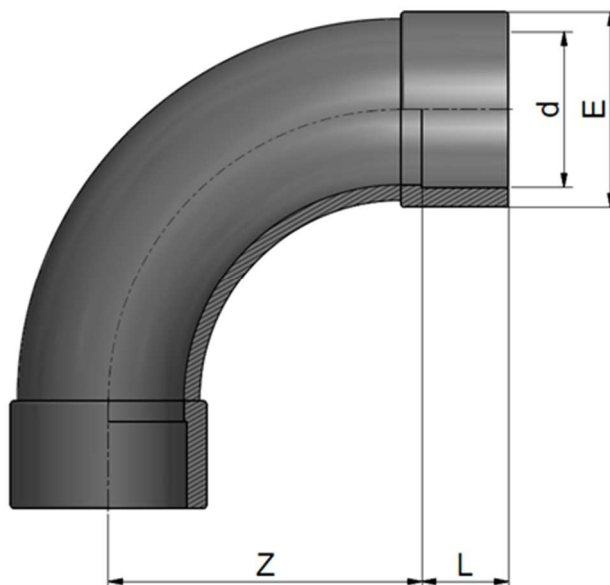


NSF and WRAS certifications: only for valves with EPDM seals. Certifications and approvals are related to items declared on Official Listing or certificates. /
Certificazioni NSF e WRAS: valide solo per le valvole con guarnizioni EPDM. Le certificazioni si riferiscono ai prodotti dichiarati nelle Official Listing o sui certificati stessi.

PVC-U Solvent welded BS fittings
PVC-U Raccordi per incollaggio BS

BEND 90°
CURVA 90°

Rev. Nov 2019



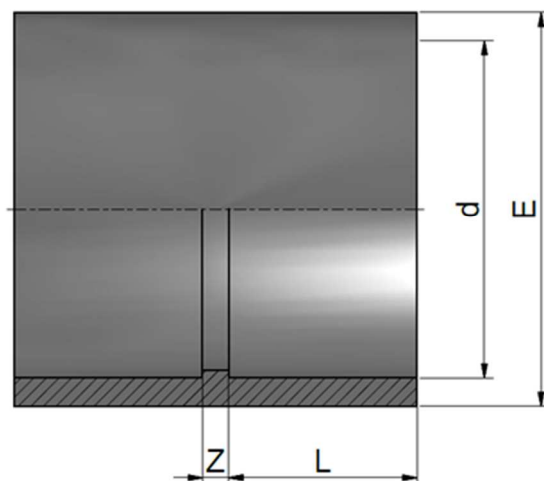
Code	d	L	Z	E	PN	Weight (g)
RARCUA0200	1/2"	16	40	28	15	38
RARCUA0250	3/4"	19	50	35	15	70
RARCUA0320	1"	22	64	42	15	118
RARCUA0400	1"1/4	26	80	51	15	180
RARCUA0500	1"1/2	31	100	63	15	320
RARCUA0630	2"	38	126	77	15	535
RARCUA0750	2"1/2	44	150	94	15	1015
RARCUA0900	3"	51	180	113	15	1590
RARCUA1100	4"	61	220	132	15	2640

PVC-U Solvent welded BS fittings

PVC-U Raccordi per incollaggio BS

SOCKET MANICOTTO

Rev. Aug 2019



Code	d	L	Z	E	PN	Weight (g)
RARMAA0160	3/8"	15	3	23	15	9
RARMAA0200	1/2"	17	3	27	15	10
RARMAA0250	3/4"	20	3	33	15	20
RARMAA0320	1"	23	3	41	15	31
RARMAA0400	1"1/4	27	3	50	15	52
RARMAA0500	1"1/2	32	3	61	15	103
RARMAA0630	2"	38	3	76	15	175
RARMAA0750	2"1/2	44	3	90	15	222
RARMAA0900	3"	51	5	110	15	381
RARMAA1100	4"	63	6	133	15	695
RARMAA1400	5"	76	8	161	15	1083
RARMAA1600	6"	90	8	198	15	1685
RARMAA2250	8"	119	11	258	15*	4200

*Reduced safety factor / *Fattore di sicurezza ridotto*

Marks / *Marchi*: 1. BSI



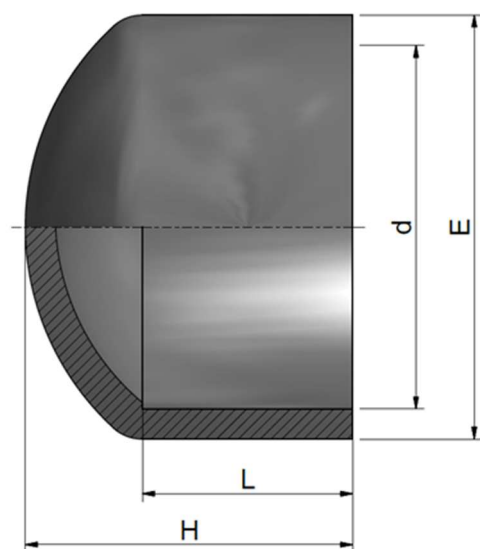
NSF and WRAS certifications: only for valves with EPDM seals. Certifications and approvals are related to items declared on Official Listing or certificates. /
Certificazioni NSF e WRAS: valide solo per le valvole con guarnizioni EPDM. Le certificazioni si riferiscono ai prodotti dichiarati nelle Official Listing o sui certificati stessi.

PVC-U Solvent welded BS fittings

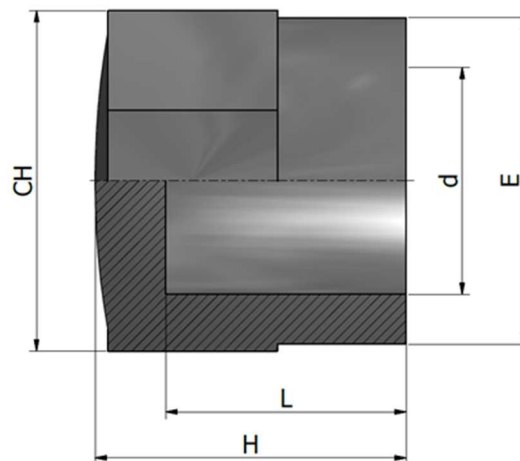
PVC-U Raccordi per incollaggio BS

CAP
CALOTTA

Rev. Jul 2020



d 1/2" - 8"



d 3/8", CH = 24 mm

Code	d	L	Z	E	H	PN	Weight (g)
RARCAA0160	3/8"	15	26	23	22	15	7
RARCAA0200	1/2"	17	30	27	30	15	11
RARCAA0250	3/4"	20	34	33	34	15	18
RARCAA0320	1"	23	38	42	38	15	30
RARCAA0400	1"1/4	27	43	50	43	15	54
RARCAA0500	1"1/2	32	48	61	49	15	72
RARCAA0630	2"	38	56	75	56	15	132
RARCAA0750	2"1/2	44	67	89	67	15	178
RARCAA0900	3"	51	78	106	81	15	304
RARCAA1100	4"	63	81	133	97	15	603
RARCAA1400	5"	76	114	162	107	15	920
RARCAA1600	6"	90	127	198	127	15	1470
RARCAA2250	8"	119	165	255	166	9	2977

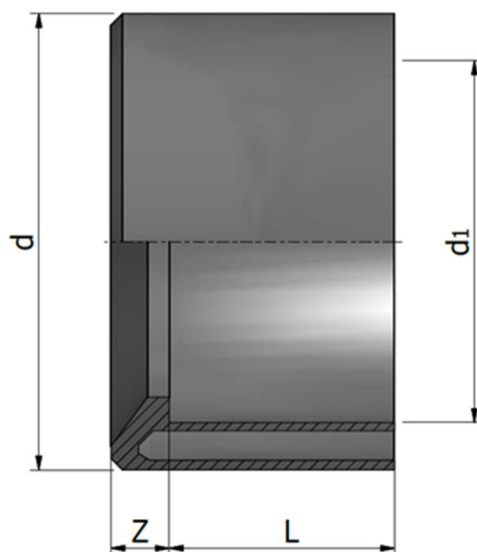


NSF and WRAS certifications: only for valves with EPDM seals. Certifications and approvals are related to items declared on Official Listing or certificates. /
Certificazioni NSF e WRAS: valide solo per le valvole con guarnizioni EPDM. Le certificazioni si riferiscono ai prodotti dichiarati nelle Official Listing o sui certificati stessi.

PVC-U Solvent welded BS fittings
PVC-U Raccordi per incollaggio BS

REDUCING BUSH
RIDUZIONE CORTA

Rev. Jul 2020



Code	d	d1	L	Z	PN	Weight (g)
RARRCA020A	1/2"	3/8"	14	2	15	3
RARRCA025B	3/4"	1/2"	17	3	15	6
RARRCA032B	1"	1/2"	16	6	15	16
RARRCA032C	1"	3/4"	20	3	15	10
RARRCA040D	1"1/4	1"	23	4	15	20
RARRCA050C	1"1/2	3/4"	20	12	15	45
RARRCA050D	1"1/2	1"	23	9	15	40
RARRCA050E	1"1/2	1"1/4	27	5	15	30
RARRCA063D	2"	1"	22	16	15	83
RARRCA063E	2"	1"1/4	27	11	15	78
RARRCA063F	2"	1"1/2	32	6	15	61
RARRCA075F	2"1/2	1"1/2	32	13	15	122
RARRCA075G	2"1/2	2"	38	6	15	94
RARRCA090F	3"	1"1/2	31	20	15	210
RARRCA090G	3"	2"	38	14	15	195

Code	d	d1	L	Z	PN	Weight (g)
RARRCA090H	3"	2"1/2	44	7	15	140
RARRCA110G	4"	2"	38	23	15	372
RARRCA110I	4"	3"	52	9	15	275
RARRCA140L	5"	4"	61	15	15	510
RARRCA160L	6"	4"	61	25	15	830
RARRCA225O	8"	6"	86	33	9	1700



NSF and WRAS certifications: only for valves with EPDM seals. Certifications and approvals are related to items declared on Official Listing or certificates. /
 Certificazioni NSF e WRAS: valide solo per le valvole con guarnizioni EPDM. Le certificazioni si riferiscono ai prodotti dichiarati nelle Official Listing o sui certificati stessi.

PVC-U Solvent welded BS fittings

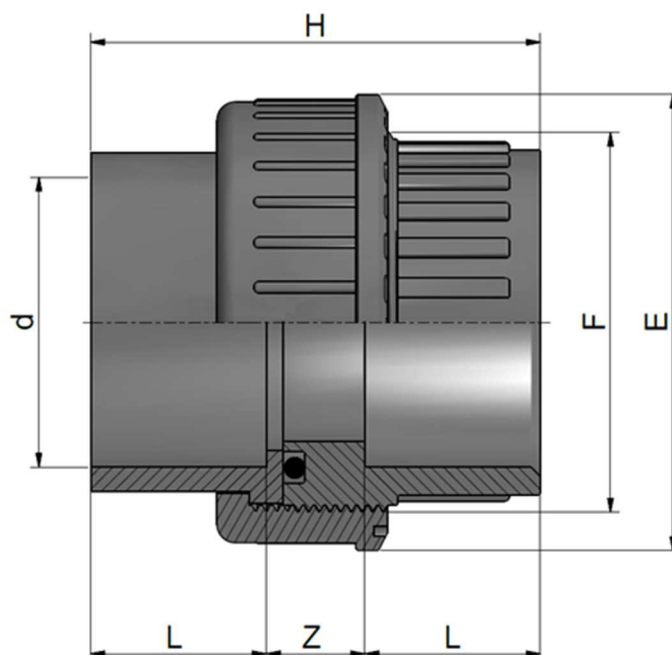
PVC-U Raccordi per incollaggio BS

UNION F-F

BOCCHETTONE F-F

Rev. May 2019

- Seals: EPDM or FKM / Guarnizioni: EPDM o FKM



Code EPDM	Code FKM	Rp	L min	Z max	H	E	F	PN	Weight (g)
RARBOA0160	RARBOA016V	3/8"	14	14	42	34	3/4"	15	27
RARBOA0200	RARBOA020V	1/2"	16	13	45	43	1"	15	42
RARBOA0250	RARBOA025V	3/4"	19	13	51	54	1"1/4	15	68
RARBOA0320	RARBOA032V	1"	22	13	57	61	1"1/2	15	91
RARBOA0400	RARBOA040V	1"1/4	27	14	68	75	2"	15	149
RARBOA0500	RARBOA050V	1"1/2	31	18	80	81	2"1/4	15	189
RARBOA0630	RARBOA063V	2"	38	22	98	99	2"3/4	15	322
RARBOA0750	RARBOA075V	2"1/2	44	22	110	120	3"1/2	15	567
RARBOA0900	RARBOA090V	3"	51	23	125	134	4"	15	725
RARBOA1100	RARBOA110V	4"	61	23	145	163	5"	15	1265

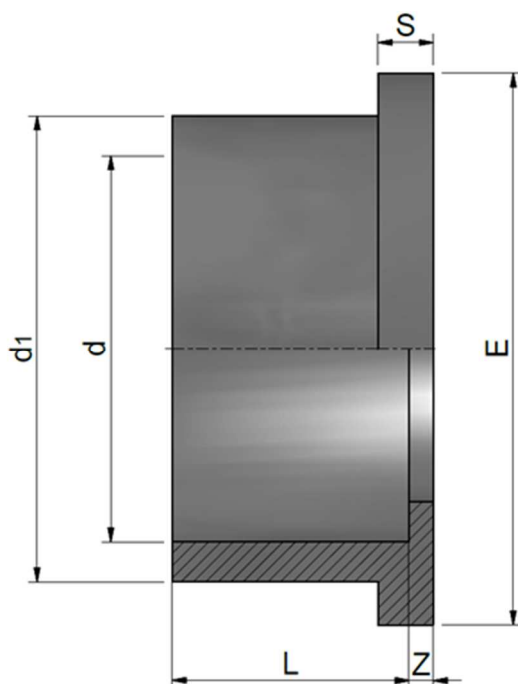


NSF and WRAS certifications: only for valves with EPDM seals. Certifications and approvals are related to items declared on Official Listing or certificates. /
 Certificazioni NSF e WRAS: valide solo per le valvole con guarnizioni EPDM. Le certificazioni si riferiscono ai prodotti dichiarati nelle Official Listing o sui certificati stessi.

PVC-U Solvent welded BS fittings
PVC-U Raccordi per incollaggio BS

SERRATED FACE STUB FLANGE
COLLARE RIGATO PER FLANGE

Rev. Jan 2020



Code	d	d1	L	Z	E	S	PN	Weight (g)
RARQRA0200	1/2"	27	16	3	34	3	15	10
RARQRA0250	3/4"	33	19	4	41	3	15	16
RARQRA0320	1"	41	22	4	50	7	15	25
RARQRA0400	1 1/4"	50	26	3	61	8	15	41
RARQRA0500	1 1/2"	61	32	4	73	9	15	60
RARQRA0630	2"	76	38	4	90	10	15	105
RARQRA0750	2 1/2"	90	44	5	106	10	15	160
RARQRA0900	3"	108	52	4	125	11	15	280
RARQRA1100	4"	131	62	5	149	12	15	445
RARQRA1400	5"	165	77	8	189	13	15	740
RARQRA1600	6"	193	87	7	214	13	15	1000
RARQRA2250	8"	248	119	9	273	20	9	1700

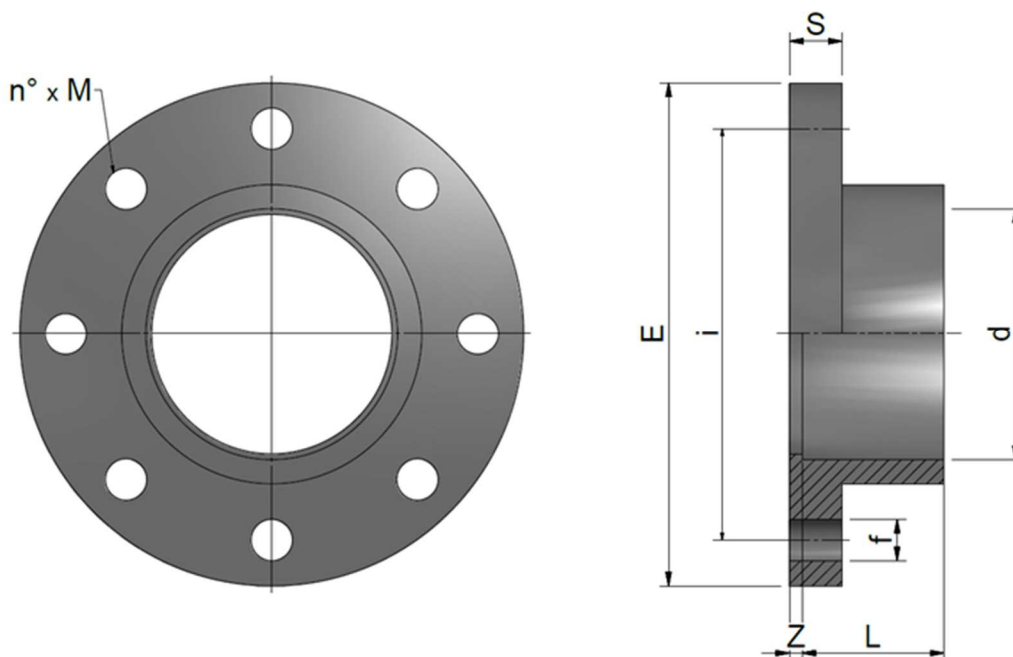


NSF and WRAS certifications: only for valves with EPDM seals. Certifications and approvals are related to items declared on Official Listing or certificates. /
 Certificazioni NSF e WRAS: valide solo per le valvole con guarnizioni EPDM. Le certificazioni si riferiscono ai prodotti dichiarati nelle Official Listing o sui certificati stessi.

PVC-U Solvent welded BS fittings
PVC-U Raccordi per incollaggio BS

FIXED FLANGE BS 10 TABLE D/E
FLANGIA FISSA BS 10 TABLE D/E

Rev. Sep 2019



Code	d	DN	L	Z	S	E	i	f	n° x M	PN	Weight (g)
RARFFA0400	1"1/4	32	26	4,5	15	142	88	18	4 x M16	15	176
RARFFA0500	1"1/2	40	31	4,5	16	152	98	18	4 x M16	15	224
RARFFA0630	2"	50	38	4,5	20	165	115	18	4 x M16	15	380
RARFFA0750	2"1/2	65	44	6	19	185	127	18	4 x M16	15	404
RARFFA0900	3"	80	51	7	20	200	146	18	8 x M16	15	548
RARFFA1100	4"	100	61	8	23	220	178	18	8 x M16	15	939



NSF and WRAS certifications: only for valves with EPDM seals. Certifications and approvals are related to items declared on Official Listing or certificates. /
 Certificazioni NSF e WRAS: valide solo per le valvole con guarnizioni EPDM. Le certificazioni si riferiscono ai prodotti dichiarati nelle Official Listing o sui certificati stessi.

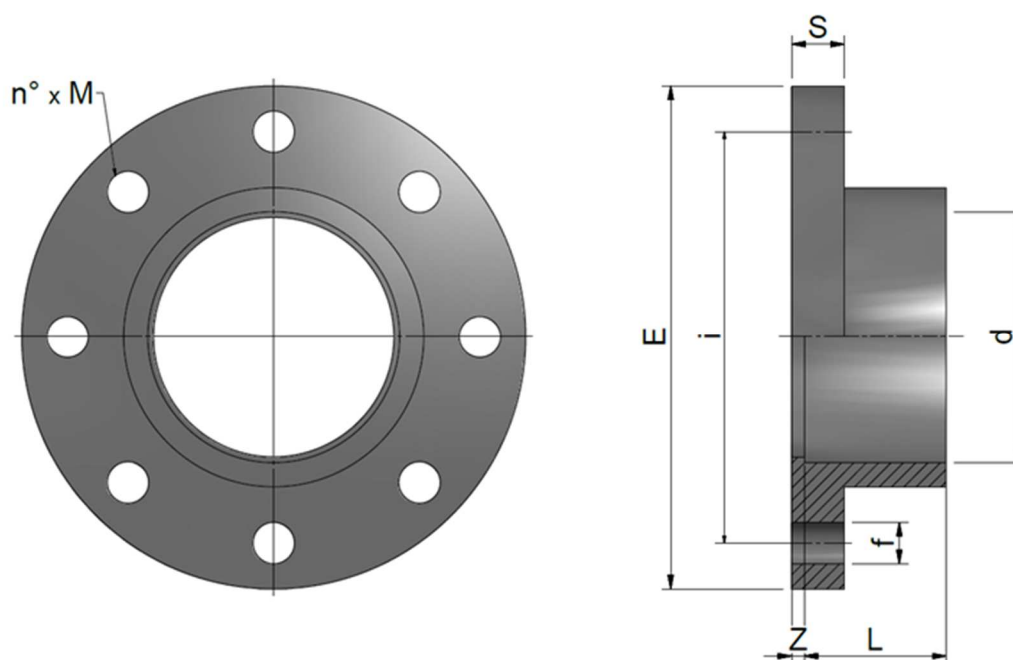
PVC-U Solvent welded BS fittings

PVC-U Raccordi per incollaggio BS

FIXED FLANGE EN/ISO/DIN

FLANGIA FISSA EN/ISO/DIN

Rev. Sep 2019



Code	d	DN	L	Z	S	E	i	f	n° x M	PN	Weight (g)
RARFNA0200	1/2"	15	16	4,5	11	95	65	14	4 x M12	15	78
RARFNA0250	3/4"	20	19	4,5	12	105	75	14	4 x M12	15	105
RARFNA0320	1"	25	22	4,5	14	115	85	14	4 x M12	15	140
RARFNA0400	1"1/4	32	26	4,5	15	142	100	18	4 x M16	15	176
RARFNA0500	1"1/2	40	31	4,5	16	152	110	18	4 x M16	15	224
RARFNA0630	2"	50	38	5	20	165	125	18	4 x M16	15	304
RARFNA0750	2"1/2	65	44	6	19	185	145	18	4 x M16	15	391
RARFNA0900	3"	80	51	7	22	200	160	18	8 x M16	15	548
RARFNA1100	4"	100	63	8	23	220	180	18	8 x M16	15	940



NSF and WRAS certifications: only for valves with EPDM seals. Certifications and approvals are related to items declared on Official Listing or certificates. /
 Certificazioni NSF e WRAS: valide solo per le valvole con guarnizioni EPDM. Le certificazioni si riferiscono ai prodotti dichiarati nelle Official Listing o sui certificati stessi.

All descriptions and illustrations in this publication are intended for guidance only and shall not constitute a 'sale by description'. All dimensions given are nominal, while changes can be done on the information, products and specifications from time to time for a variety of reasons, without prior notice. The information in this publication is provided 'as is' on the revision date stated on the sheet. Updates will not be issued automatically. This information is not intended to have any legal effect, whether by way of advice, representation or warranty (express or implied). We accept no liability whatsoever (to the extent permitted by law) if you place any reliance on this publication you must do so at your own risk. All rights reserved. Copyright in this publication belongs to Polypipe Italia and all such copyright may not be used, sold, copied or reproduced in whole or part in any manner in any media to any person without prior consent. **EFFAST** is a registered trademark."