

PVC-U Foot valves
PVC-U Valvole di fondo

PVC-U Foot valves HV

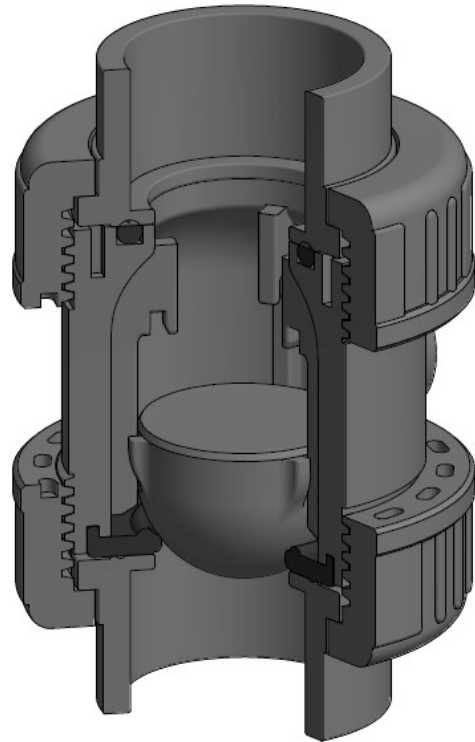
PVC-U Valvole di fondo HV

Rev. Mar 2021

EFFAST HV valve is a PVC-U foot valve ideal for use in applications that require precise closure. It has no metal parts, making it suitable for use in any type of system.

Le valvole EFFAST serie HV sono valvole di fondo in PVC-U, ideali per applicazioni che richiedono una chiusura precisa. Essendo prive di parti metalliche, sono adatte come valvole di fondo in impianti di ogni tipo.

- No metal parts in contact with the fluid.
Senza parti metalliche a contatto con il fluido.
- Version with strainer available.
Disponibile nella versione con succhieruola.
- Marine Application approval.
Certificata per applicazioni navali.



TECHNICAL FEATURES / CARATTERISTICHE TECNICHE

NOMINAL PRESSURE / PRESSIONE NOMINALE	PN 16 (20°C)
DIMENSIONS / DIMENSIONI	DN 15 ÷ DN 100 (d.16 ÷ 110 mm – 1/2" ÷ 4")
VALVE MATERIAL / MATERIALE VALVOLA	PVC-U
SEALS MATERIAL / MATERIALE GUARNIZIONI	O-rings: EPDM / O-ring: EPDM
TEMPERATURE RANGE / TEMPERATURA	0°C ÷ 60°C
COUPLING STANDARDS / GIUNZIONI	Solvent welded sockets: metric, BS / Manicotti incollaggio: metrici, BS Threaded sockets: BSPP / Manicotti filettati BSPP



Certifications and approvals: only for items declared on Official Listing or certificates. / Certificazioni: solo per gli articoli dichiarati nelle Official Listing o nei certificati stessi.

EFFAST

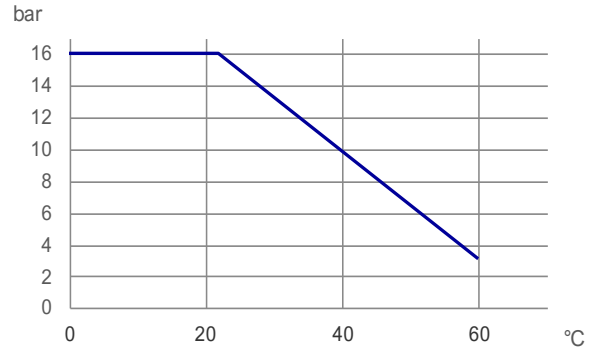
PVC-U Foot valves HV

PVC-U Valvole di fondo HV

Operating pressure / Pressione di esercizio

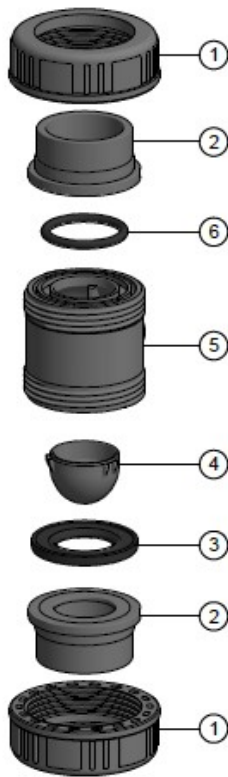
Maximum operating pressure for PVC-U: according to temperature as shown in graph.

Massima pressione di esercizio per il PVC-U: secondo quanto indicato nel grafico in figura.

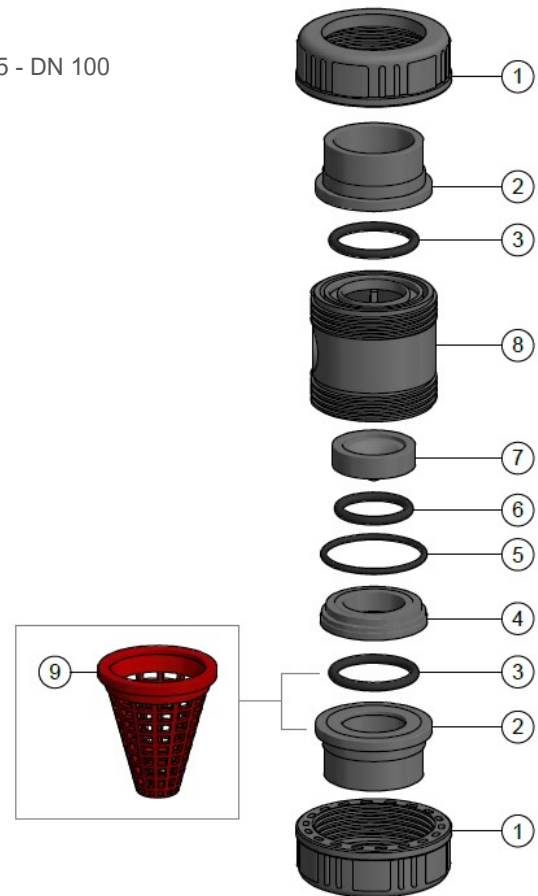


Components / Componenti

DN 15 - DN 50



DN 65 - DN 100



n.	COMPONENT	MATERIAL	Qty	Qty *
1	Nuts / Ghiera	PVC-U	2	2
2	Sockets / Manicotti	PVC-U	2	1
3	Socket O-rings / O-ring manicotto	EPDM	2	1
4	Gasket carrier / Portaguarnizioni	PVC-U	1	1
5	Body O-ring / O-ring corpo	EPDM	1	1
6	Plunger O-ring / O-ring otturatore	EPDM	1	1

n.	COMPONENT	MATERIAL	Qty	Qty *
7	Plunger / Otturatore	PVC-U	1	1
8	Body / Corpo	PVC-U	1	1
9	Strainer / Succhieruola	PP	-	1

*) Valve with strainer / Valvola con succhieruola

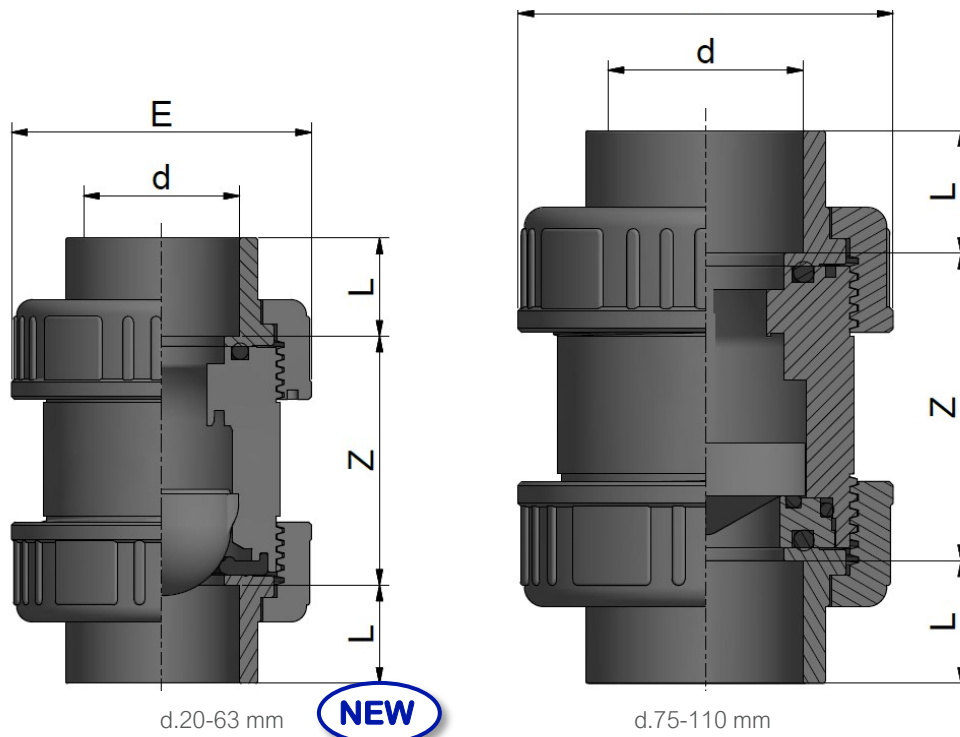
PVC-U Foot valves HV

PVC-U Valvole di fondo HV

METRIC SOLVENT WELDED SOCKETS
MANICOTTI METRICI PER INCOLLAGGIO

Rev. Mar 2021

- Seals: EPDM/ Guarnizioni: EPDM



Code EPDM	Code FKM	d	DN	L	Z	E	PN	Weight (g)
CDRHVD0200	CDRHVD020V	20	15	16	48	49	16	110
CDRHVD0250	CDRHVD025V	25	20	19	54	60	16	180
CDRHVD0320	CDRHVD032V	32	25	22	62	69	16	250
CDRHVD0400	CDRHVD040V	40	32	26	69	80	16	380
CDRHVD0500	CDRHVD050V	50	40	31	81	96	16	600
CDRHVD0630	CDRHVD063V	63	50	39	94	116	16	1000
CDRHVD0750	CDRHVD075V	75	80	44	141	167	16	2800
CDRHVD0900	CDRHVD090V	90	80	51	140	167	16	3000
CDRHVD1100	CDRHVD110V	110	100	61	157	179	10	5000



PVC-U Foot valves HV

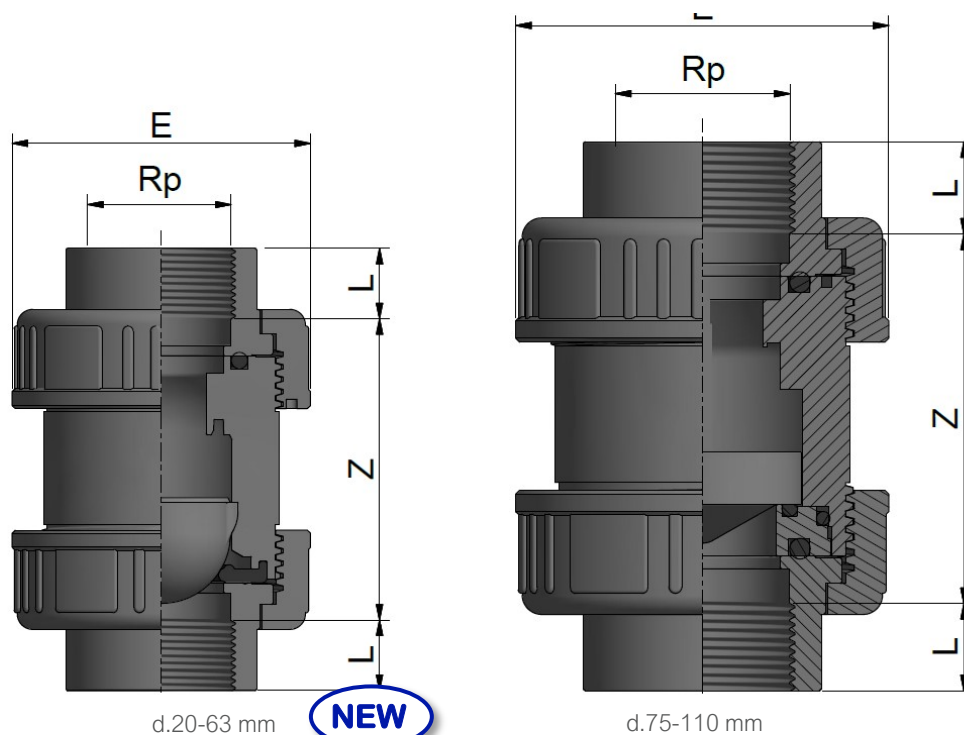
PVC-U Valvole di fondo HV

BSPP THREADED SOCKETS

MANICOTTI FILETTATI BSPP

Rev. Mar 2021

- Thread according to ISO 228-1 / Filettatura secondo ISO 228-1
- Seals: EPDM / Guarnizioni: EPDM



Code EPDM	Code FKM	Rp	DN	L min	Z max	E	PN	Weight (g)
CERHVE020B	CERHVE020V	1/2"	15	15	50	49	16	110
CERHVE025C	CERHVE025V	3/4"	20	16,3	59,4	60	16	180
CERHVE032D	CERHVE032V	1"	25	19,5	67	69	16	250
CERHVE040E	CERHVE040V	1"1/4	32	21,4	78,2	80	16	380
CERHVE050F	CERHVE050V	1"1/2	40	21,4	87,2	96	16	600
CERHVE063G	CERHVE063V	2"	50	25,7	98,6	116	16	1000
CERHVE075H	CERHVE075V	2"1/2	80	30,2	168,6	167	16	2800
CERHVE090I	CERHVE090V	3"	80	33,3	146,4	167	16	3000
CERHVE110L	CERHVE110V	4"	100	39,3	205,4	179	10	5000



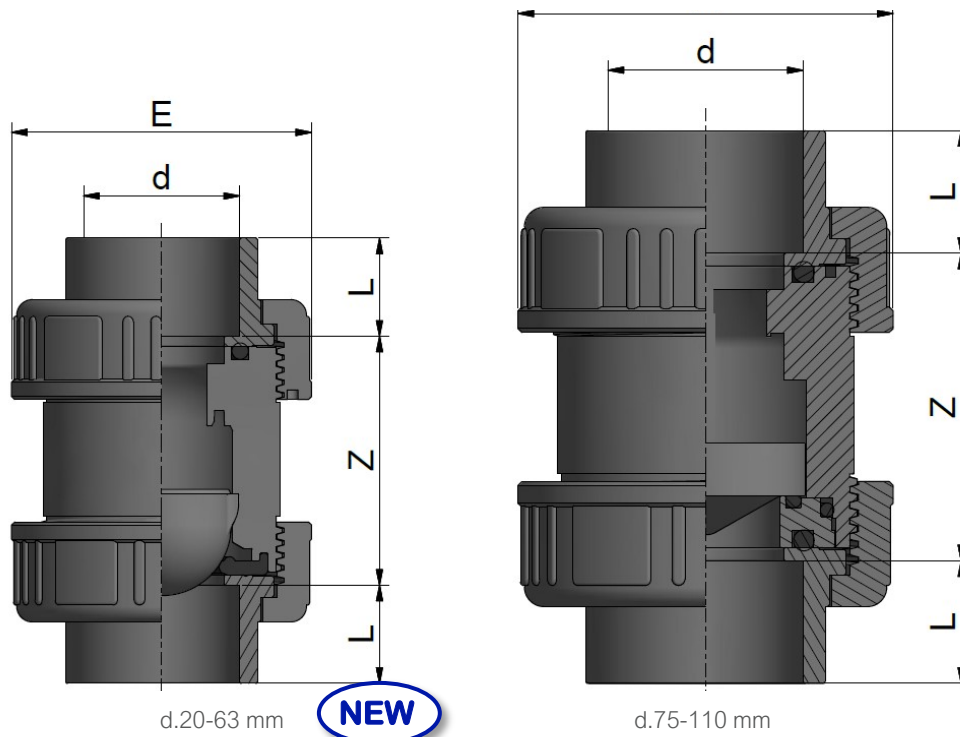
PVC-U Foot valves HV

PVC-U Valvole di fondo HV

BS SOLVENT WELDED SOCKETS
MANICOTTI BS PER INCOLLAGGIO

- Seals: EPDM/ Guarnizioni: EPDM

Rev. Mar 2021



Code EPDM	Code FKM	d	DN	L	Z	E	PN	Weight (g)
CARHVA0200	CARHVA020V	1/2"	15	16	48	49	16	110
CARHVA0250	CARHVA025V	3/4"	20	19	54	60	16	180
CARHVA0320	CARHVA032V	1"	25	22	62	69	16	250
CARHVA0400	CARHVA040V	1"1/4	32	26	69	80	16	380
CARHVA0500	CARHVA050V	1"1/2	40	31	81	96	16	600
CARHVA0630	CARHVA063V	2"	50	38	96	116	16	1000
CARHVA0750	CARHVA075V	2"1/2	80	44	141	167	16	2800
CARHVA0900	CARHVA090V	3"	80	51	141	167	16	3000
CARHVA1100	CARHVA110V	4"	100	61	157	179	10	5000

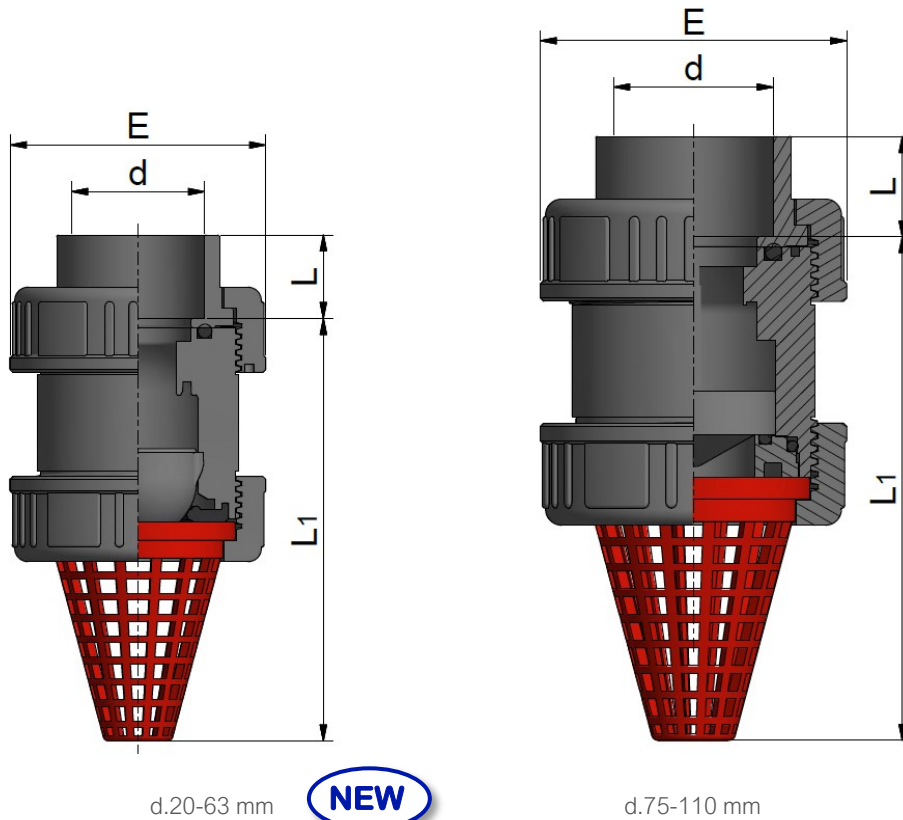


PVC-U Foot valves HV

PVC-U Valvole di fondo HV

METRIC SOLVEN WELDED SOCKET AND STRAINER MANICOTTIO METRICO PER INCOLLAGGIO E SUCCHIERUOLA

Rev. Mar 2021



d.20-63 mm

NEW

d.75-110 mm

Code EPDM	Code FKM	d	L	L1	E	PN	Weight (g)
CDRHVDZ0200	CDRHVDZ020V	20	16	87	49	16	103
CDRHVDZ0250	CDRHVDZ025V	25	19	104	60	16	162,5
CDRHVDZ0320	CDRHVDZ032V	32	22	121,5	69	16	233,5
CDRHVDZ0400	CDRHVDZ040V	40	26	138,5	80	16	347,5
CDRHVDZ0500	CDRHVDZ050V	50	31	149,5	96	16	556,5
CDRHVDZ0630	CDRHVDZ063V	63	38	179	116	16	923,5
CDRHVDZ0750	CDRHVDZ075V	75	44	253	167	16	2673
CDRHVDZ0900	CDRHVDZ090V	90	51	141	167	16	2815
CDRHVDZ1100	CDRHVDZ110V	110	61	157	179	16	4590



All descriptions and illustrations in this publication are intended for guidance only and shall not constitute a 'sale by description'. All dimensions given are nominal, while changes can be done on the information, products and specifications from time to time for a variety of reasons, without prior notice. The information in this publication is provided 'as is' on the revision date stated on the sheet. Updates will not be issued automatically. This information is not intended to have any legal effect, whether by way of advice, representation or warranty (express or implied). We accept no liability whatsoever (to the extent permitted by law) if you place any reliance on this publication you must do so at your own risk. All rights reserved. Copyright in this publication belongs to Polypipe Italia and all such copyright may not be used, sold, copied or reproduced in whole or part in any manner in any media to any person without prior consent. **EFFAST** is a registered trademark.