

PVCu Single union ball valves SX
PVCu Valvole a sfera monoghiera SX

PVC-U Single union ball valves SX

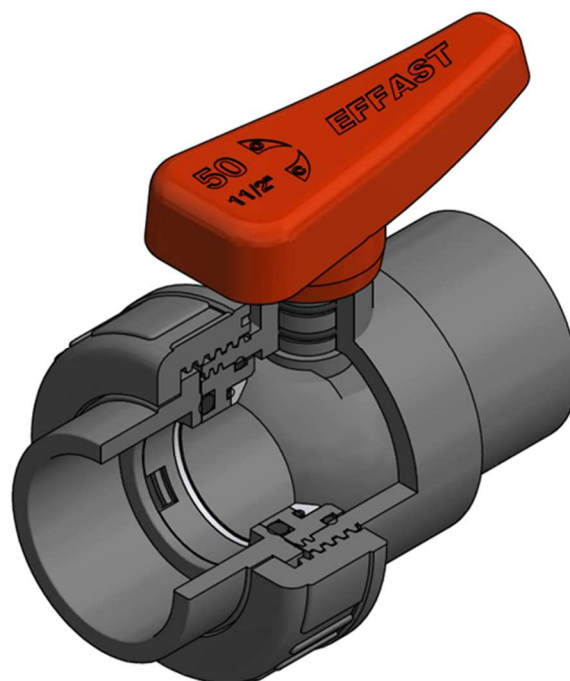
PVC-U Valvole a sfera monoghiera SX

Rev. Mar 2020

PVC-U valve SX is a single union ball valve ideal for heavy duty applications, chemical applications and water treatment.

La valvola SX è una valvola a sfera monoghiera in PVC-U, ideale per applicazioni gravose in industria chimica e nel trattamento acque.

- Full bore ball locked in place on both sides.
Sfera di tipo flottante a passaggio totale e bloccata da entrambi i lati.
- Machined ball to ensure the best sealing.
Sfera lavorata per garantire la miglior tenuta.
- Sealing adjustment and disassembling by key incorporated on the handle.
Possibilità di regolazione del supporto guarnizioni tramite la chiave incorporata nella maniglia.
- PVC-U compound fit for contact with potable water according to European, UK and USA regulations.
PVC-U idoneo al contatto con acqua potabile secondo le normative in vigore in Europa, UK, e USA.
- Marine Application approval.
Certificata per applicazioni navali.
- Compliant with the requirements of Pressure Equipment Directive 2014/68/EU, Annex III, Module A2.
Conforme ai requisiti della Direttiva Europea 2014/68/EU sulle attrezzature in pressione, Allegato III, Modulo A2.



TECHNICAL FEATURES / CARATTERISTICHE TECNICHE

NOMINAL PRESSURE / PRESSIONE NOMINALE	PN 16 (20°C)
DIMENSIONS / DIMENSIONI	DN 15 ÷ DN 100 (d.20 ÷ 110 mm – 1/2" ÷ 4")
VALVE MATERIAL / MATERIALE VALVOLA	PVC-U
SEALS MATERIAL / MATERIALE GUARNIZIONI	O-rings: EPDM or FKM / O-ring: EPDM o FKM Ball seats: PTFE / Tenute della sfera: PTFE
TEMPERATURE RANGE / TEMPERATURA	0°C ÷ 60°C
COUPLING STANDARDS / GIUNZIONI	Solvent welded sockets: metric, BS / Manicotti incollaggio: metrici, BS Threaded sockets: BSPP / Manicotti filettati: BSPP
CONTROL OPTIONS / OPZIONI DI COMANDO	Hand-operated / Manuale



Certifications and approvals: only for items declared on Official Listing or certificates. / Certificazioni: solo per gli articoli dichiarati nelle Official Listing o nei certificati stessi.

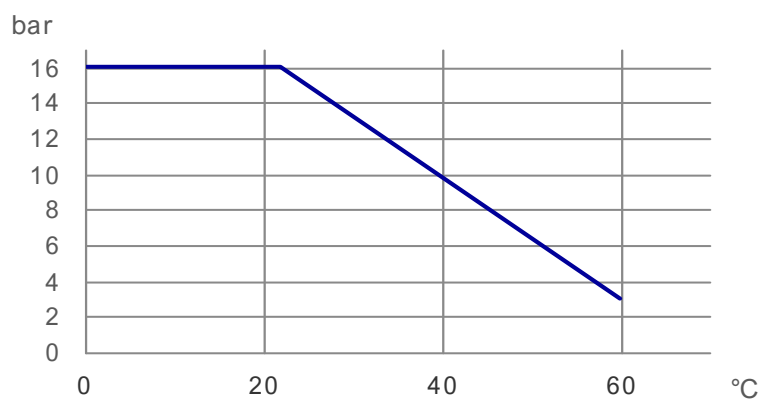
PVC-U Single union ball valves SX

PVC-U Valvole a sfera monoghiera SX

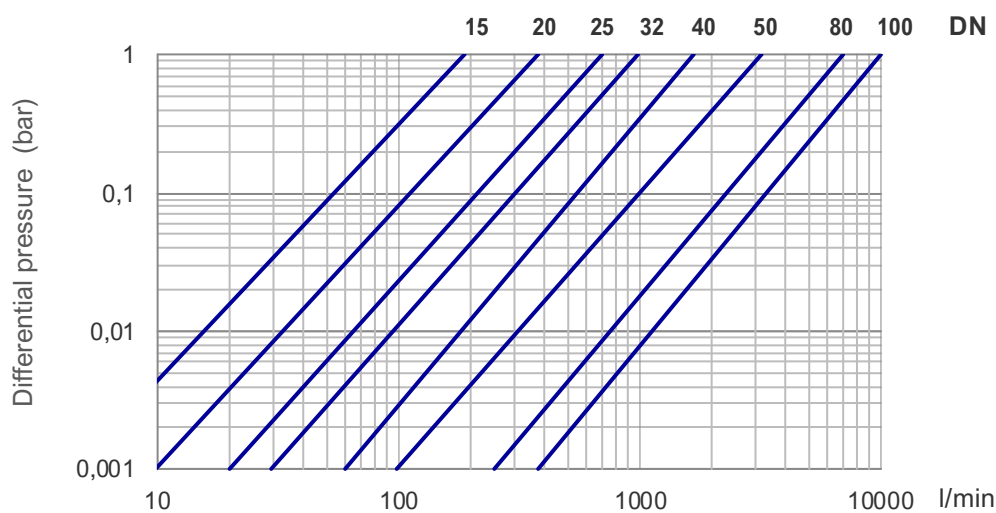
Operating pressure / Pressione di esercizio

Maximum operating pressure for PVC-U: according to temperature as shown in graph.

Massima pressione di esercizio per il PVC-U: secondo quanto indicato nel grafico in figura.



Pressure loss / Perdite di carico



Flow rate coefficient Kv100 / Coefficiente di flusso Kv100

At $\Delta p = 1$ bar / Per $\Delta p = 1$ bar

DN	DN 15	DN 20	DN 25	DN 32	DN 40	DN 50	DN 80	DN 100
l/min	190	380	700	1000	1700	3200	7000	10000

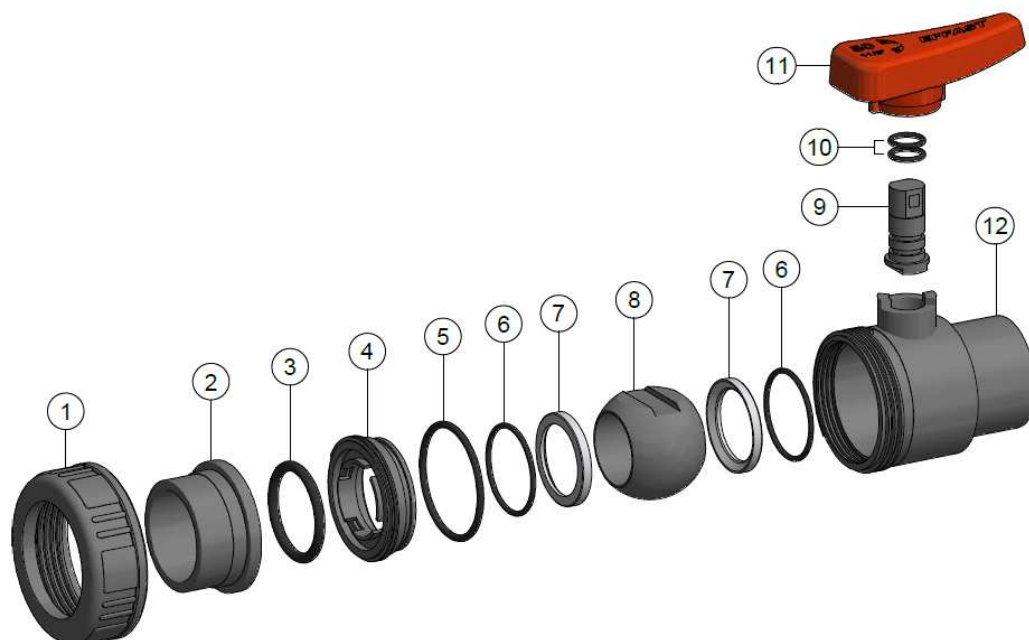
Torque force at maximum pressure rate / Coppia di chiusura alla massima pressione

DN	DN 15	DN 20	DN 25	DN 32	DN 40	DN 50	DN 80	DN 100
Nm	1.5	2	3	5	7	10	24	30

PVC-U Single union ball valves SX

PVC-U Valvole a sfera monoghiera SX

Components / Componenti



n.	COMPONENT	MATERIAL	Qty
1	Nut / Ghiera	PVC-U	1
2	Socket / Manicotto	PVC-U	1
3	Socket O-ring / O-ring manicotto	EPDM/FKM	1
4	Gasket carrier / Supporto guarnizioni	PVC-U	1
5	Body O-ring / O-ring corpo	EPDM/FKM	1
6	Ball seat O-ring / O-ring tenute	EPDM/FKM	2

n.	COMPONENT	MATERIAL	Qty
7	Ball seat / Tenuta sfera	PTFE	2
8	Ball / Sfera	PVC-U	1
9	Stem / Asta	PVC-U	1
10	Stem O-ring / O-ring asta	EPDM/FKM	2
11	Handle / Maniglia	PVC-U	1
12	Body / Corpo	PVC-U	1

PVC-U Single union ball valves SX

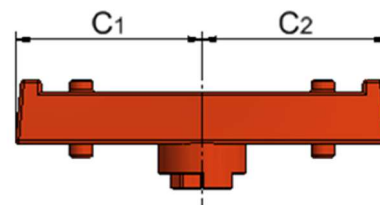
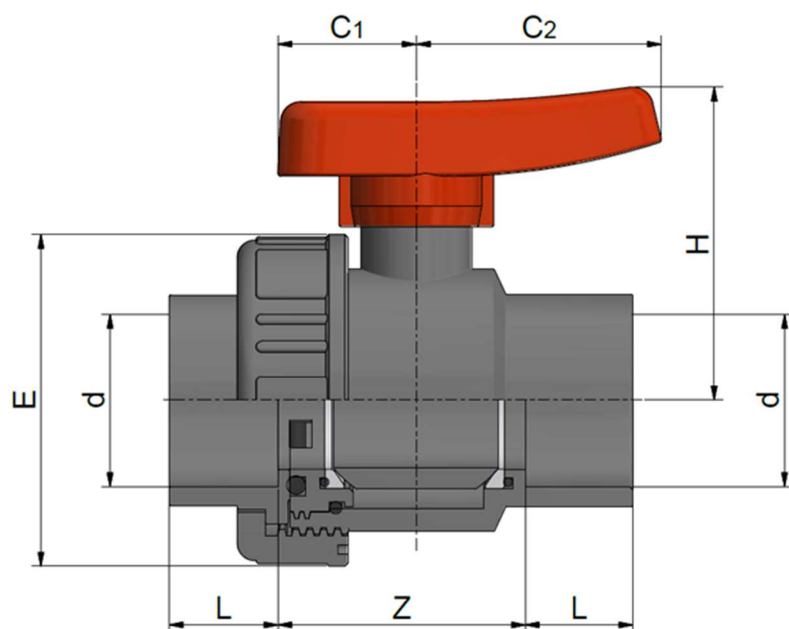
PVC-U Valvole a sfera monoghiera SX

METRIC SOLVENT WELDED SOCKETS

MANICOTTI METRICI PER INCOLLAGGIO

- Seals: EPDM or FKM / Guarnizioni: EPDM o FKM
- Ball seats: PTFE / Tenute della sfera: PTFE

Rev. Feb 2020



Handle d.75-110 / Maniglia d.75-110

Code EPDM	d	DN	L	Z	H	C1	C2	E	PN	Weight (g)
BDRSXD0160	16	15	14,5	44	50	22	42	49	16	140
BDRSXD0200	20	15	16	41	50	22	42	49	16	140
BDRSXD0250	25	20	19	48	58	24	49	60	16	200
BDRSXD0320	32	25	22	54	69	26	59	69	16	300
BDRSXD0400	40	32	26	62	76	32	65	80	16	450
BDRSXD0500	50	40	31	72	92	40	71	96	16	690
BDRSXD0630	63	50	39	86,5	104	45	79	116	16	1150
BDRSXD0750	75	80	44	132,5	145	84,5	84,5	167	16	3100
BDRSXD0900	90	80	51	125	145	84,5	84,5	167	16	3250
BDRSXD1100	110	100	61	158	170	102	102	209	16	5500



NSF and WRAS certifications: only for valves with EPDM seals. Certifications and approvals are related to items declared on Official Listing or certificates. /
 Certificazioni NSF e WRAS: valide solo per le valvole con guarnizioni EPDM. Le certificazioni si riferiscono ai prodotti dichiarati nelle Official Listing o sui certificati stessi.

PVC-U Single union ball valves SX

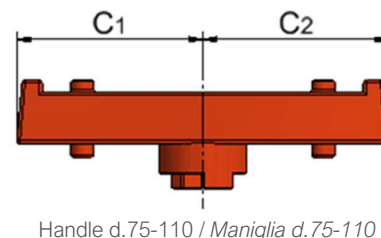
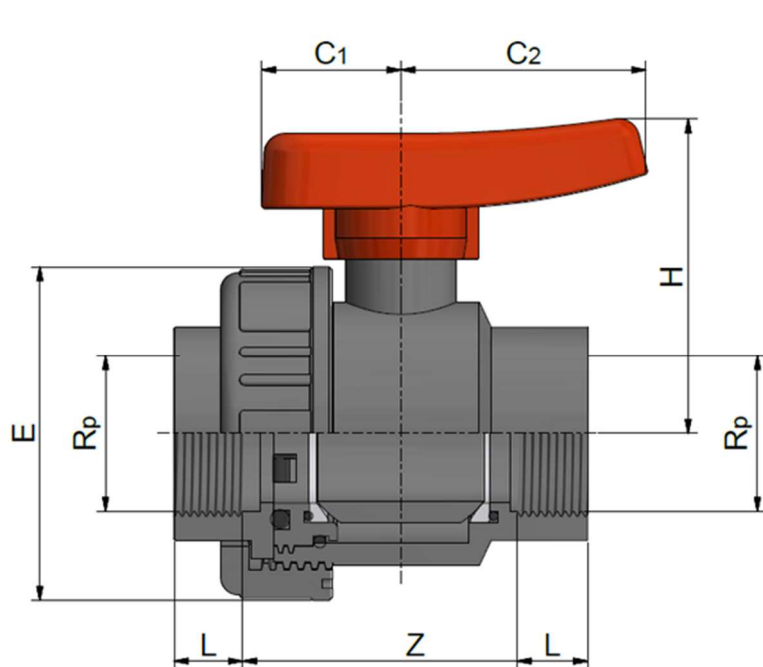
PVC-U Valvole a sfera monoghiera SX

BSPB THREADED SOCKETS

MANICOTTI FILETTATI BSPB

Rev. Feb 2020

- Thread according to ISO 228-1 / Filettatura secondo ISO 228-1
- Seals: EPDM or FKM / Guarnizioni: EPDM o FKM
- Ball seats: PTFE / Tenute della sfera: PTFE



Code EPDM	Rp	DN	L min	Z max	H	C1	C2	E	PN	Weight (g)
BERSXE016A	3/8"	15	11,4	57,2	50	22	42	49	16	140
BERSXE020B	1/2"	15	15	50	50	22	42	49	16	140
BERSXE025C	3/4"	20	16,3	59,4	58	24	49	60	16	200
BERSXE032D	1"	25	19,5	67	69	26	59	69	16	300
BERSXE040E	1"1/4	32	21,4	78,2	76	32	65	80	16	450
BERSXE050F	1"1/2	40	21,4	87,2	92	40	71	96	16	690
BERSXE063G	2"	50	25,7	98,6	104	45	79	116	16	1150
BERSXE075H	2"1/2	80	30,2	168,6	145	84,5	84,5	167	16	3050
BERSXE090I	3"	80	33,3	146,4	145	84,5	84,5	167	16	3200
BERSXE110L	4"	100	39,3	205,4	170	102	102	209	16	5400



NSF and WRAS certifications: only for valves with EPDM seals. Certifications and approvals are related to items declared on Official Listing or certificates. /
 Certificazioni NSF e WRAS: valide solo per le valvole con guarnizioni EPDM. Le certificazioni si riferiscono ai prodotti dichiarati nelle Official Listing o sui certificati stessi.

All descriptions and illustrations in this publication are intended for guidance only and shall not constitute a 'sale by description'. All dimensions given are nominal, while changes can be done on the information, products and specifications from time to time for a variety of reasons, without prior notice. The information in this publication is provided 'as is' on the revision date stated on the sheet. Updates will not be issued automatically. This information is not intended to have any legal effect, whether by way of advice, representation or warranty (express or implied). We accept no liability whatsoever (to the extent permitted by law) if you place any reliance on this publication you must do so at your own risk. All rights reserved. Copyright in this publication belongs to Polypipe Italia and all such copyright may not be used, sold, copied or reproduced in whole or part in any manner in any media to any person without prior consent. **EFFAST** is a registered trademark."