

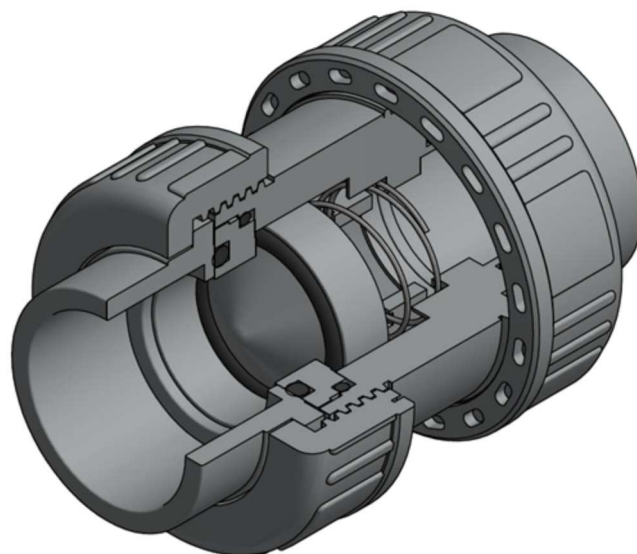
ABS Double union spring check valves CV

ABS Valvole di non ritorno radiali a molla CV

ABS spring check valve CV is ideal for use in applications that require precise closure and noiseless movement and it is suitable for low temperature fluid transportation.

Le valvole di non ritorno a molla serie CV in ABS sono ideali per applicazioni che richiedono una chiusura precisa e movimenti silenziosi e sono adatte per il trasporto di fluidi a bassa temperatura.

- Suitable for vertical and horizontal installation.
Adatta per installazione orizzontale e verticale.
- Stainless Steel spring; PTFE coated spring on request.
Molla in acciaio Inox e, su richiesta, con rivestimento in PTFE.
- EPDM or FKM seals available.
Disponibile con guarnizioni in EPDM o FKM.



TECHNICAL FEATURES / CARATTERISTICHE TECNICHE

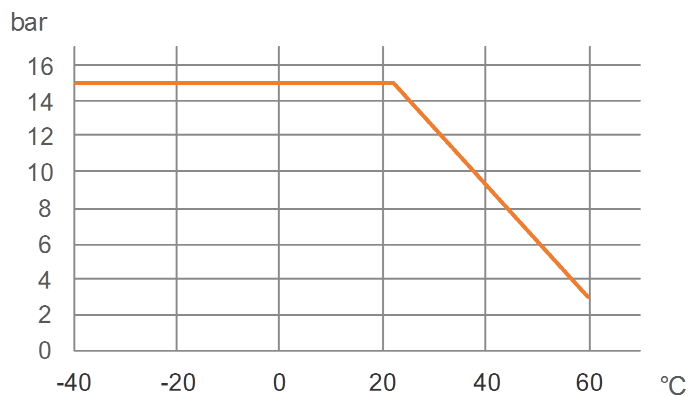
NOMINAL PRESSURE / PRESSIONE NOMINALE	PN 15 (20°C)
DIMENSIONS / DIMENSIONI	DN 15 ÷ DN 50 (d.1/2" ÷ 2")
VALVE MATERIAL / MATERIALE VALVOLA	ABS
SEALS MATERIAL / MATERIALE GUARNIZIONI	O-rings: EPDM or FKM / O-ring: EPDM o FKM
SPRING MATERIAL / MATERIALE DELLE MOLLA	Stainless steel. PTFE coated on request. / Acciaio Inox. A richiesta, rivestita PTFE
TEMPERATURE RANGE / TEMPERATURA	-40°C ÷ 60°C
COUPLING STANDARDS / GIUNZIONI	Solvent welded sockets: BS / Manicotti incollaggio: BS

ABS Double union spring check valves CV ABS Valvole di non ritorno radiali a molla CV

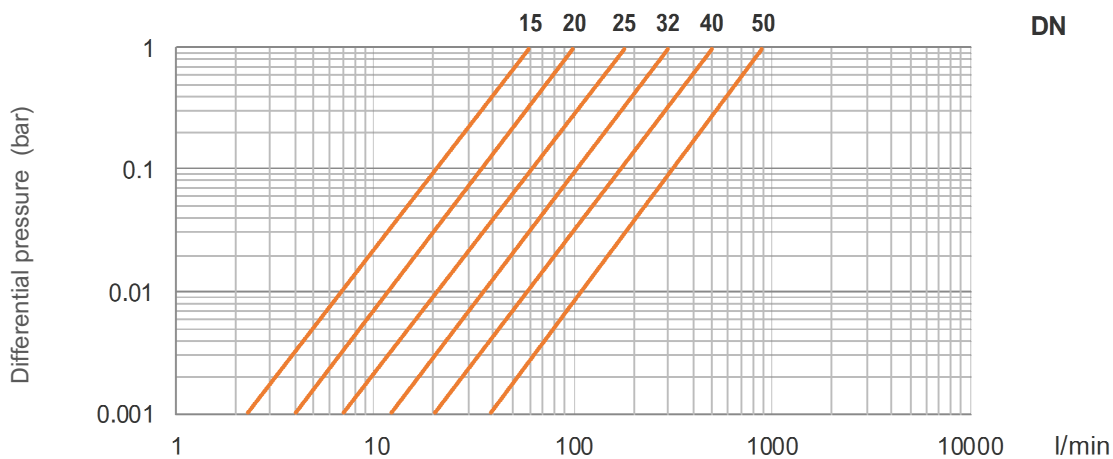
Operating pressure / Pressione di esercizio

Maximum operating pressure for ABS: according to temperature as shown in graph.

Massima pressione di esercizio per ABS: secondo quanto indicato nel grafico in figura.



Pressure loss / Perdite di carico

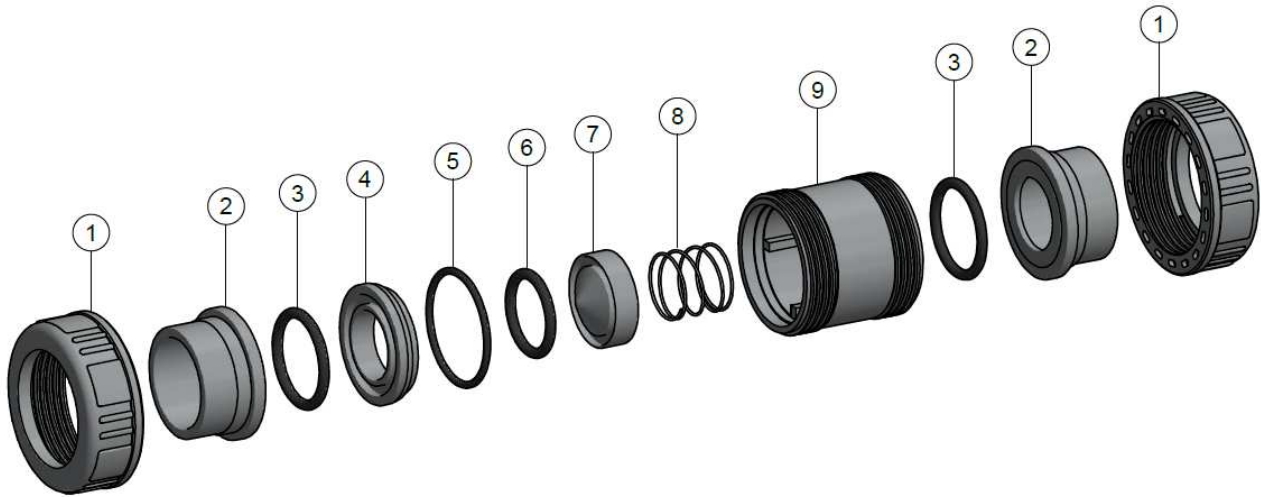


Minimum opening pressure / Pressione minima di apertura

DN	DN 15	DN 20	DN 25	DN 32	DN 40	DN 50
bar	0.012	0.010	0.010	0.010	0.008	0.008

ABS Double union spring check valves CV ABS Valvole di non ritorno radiali a molla CV

Components / Componenti



n.	COMPONENT	MATERIAL	Qty
1	Nut / Ghiera	ABS	2
2	Socket / Manicotto	ABS	2
3	Socket O-ring / O-ring manicotto	EPDM/FKM	2
4	Gasket carrier / Supporto guarnizioni	ABS	1
5	Body O-ring / O-ring corpo	EPDM/FKM	1

n.	COMPONENT	MATERIAL	Qty
6	Plunger O-ring / O-ring otturatore	EPDM/FKM	1
7	Plunger / Otturatore	ABS	1
8	Spring / Molla	SS or PTFE coated	1
9	Body / Corpo	ABS	1

All descriptions and illustrations in this publication are intended for guidance only and shall not constitute a 'sale by description'. All dimensions given are nominal, while changes can be done on the information, products and specifications from time to time for a variety of reasons, without prior notice. The information in this publication is provided 'as is' on the revision date stated on the sheet. Updates will not be issued automatically. This information is not intended to have any legal effect, whether by way of advice, representation or warranty (express or implied). We accept no liability whatsoever (to the extent permitted by law) if you place any reliance on this publication you must do so at your own risk. All rights reserved. Copyright in this publication belongs to Polypipe Italia and all such copyright may not be used, sold, copied or reproduced in whole or part in any manner in any media to any person without prior consent. **EFFAST** is a registered trademark.