

PVC-U Air release valves AV

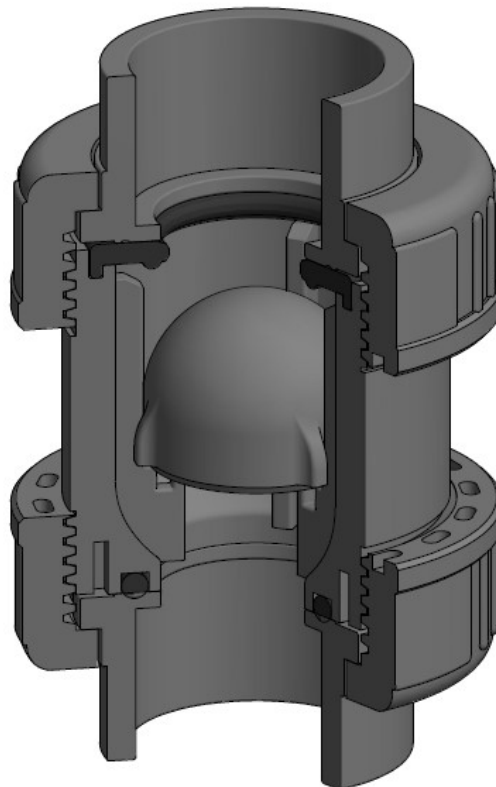
PVC-U Valvole di sfogo aria AV

Rev. Feb 2021

EFFAST AV valve is an effective solution to release any air entering the pipe with the fluid.

La valvola EFFAST AV è una soluzione efficace per eliminare l'aria immessa nelle tubazioni insieme al fluido.

- No metal parts in contact with the fluid.
Senza parti metalliche a contatto con il fluido.
- Marine Application approval.
Certificata per applicazioni navali.



TECHNICAL FEATURES / CARATTERISTICHE TECNICHE

NOMINAL PRESSURE / PRESSIONE NOMINALE	PN 16 (20°C)
DIMENSIONS / DIMENSIONI	DN 15 ÷ DN 100 (d.16 ÷ 110 mm – 1/2" ÷ 4")
VALVE MATERIAL / MATERIALE VALVOLA	PVC-U
SEALS MATERIAL / MATERIALE GUARNIZIONI	EPDM
TEMPERATURE RANGE / TEMPERATURA	0°C ÷ 60°C
COUPLING STANDARDS / GIUNZIONI	Solvent welded sockets: metric, BS / Manicotti incollaggio: metrici, BS Threaded sockets: BSPP / Manicotti filettati BSPP



Certifications and approvals: only for items declared on Official Listing or certificates. / Certificazioni: solo per gli articoli dichiarati nelle Official Listing o nei certificati stessi.

EFFAST

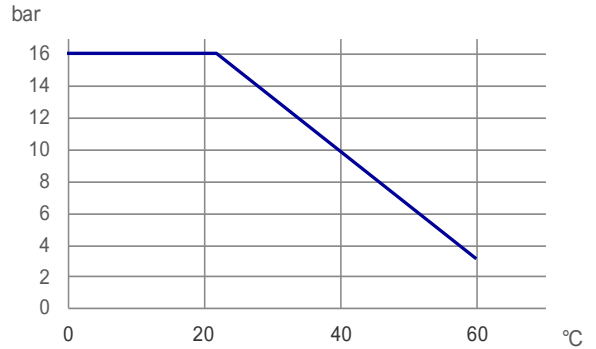
PVC-U Air release valves AV

PVC-U Valvole di sfogo aria AV

Operating pressure / Pressione di esercizio

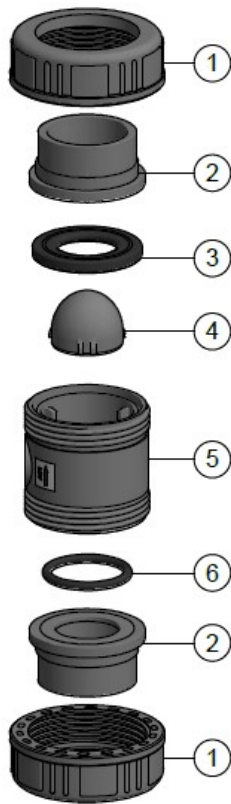
Maximum operating pressure for PVC-U: according to temperature as shown in graph.

Massima pressione di esercizio per il PVC-U: secondo quanto indicato nel grafico in figura.



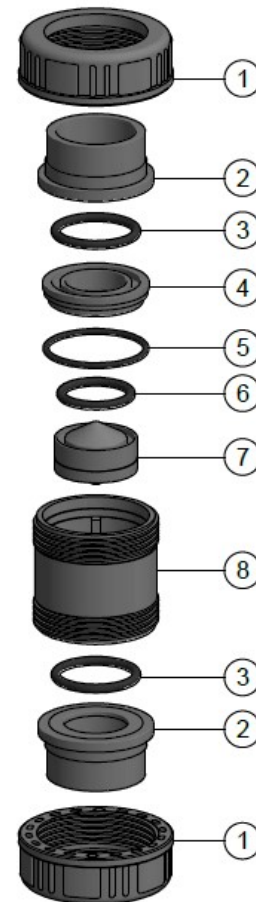
Components / Componenti

DN 15 - DN 50



n.	COMPONENT	MATERIAL	Qty
1	Nuts / Ghiera	PVC-U	2
2	Sockets / Manicotti	PVC-U	2
3	Gasket / Guarnizione	EPDM	1
4	Floating plunger / Otturatore galleggiante	PVC-U	1
5	Body / Corpo	PVC-U	1
6	Socket O-rings / O-ring manicotto	EPDM	2

DN 65 - DN 100



n.	COMPONENT	MATERIAL	Qty
1	Nuts / Ghiera	PVC-U	2
2	Sockets / Manicotti	PVC-U	2
3	Socket O-rings / O-ring manicotto	EPDM	2
4	Gasket carrier / Portaguarnizioni	PVC-U	1
5	Body O-ring / O-ring corpo	EPDM	1
6	Plunger O-ring / O-ring otturatore	EPDM	1
7	Floating plunger / Otturatore galleggiante	PVC-U	1
8	Body / Corpo	PVC-U	1

All descriptions and illustrations in this publication are intended for guidance only and shall not constitute a 'sale by description'. All dimensions given are nominal, while changes can be done on the information, products and specifications from time to time for a variety of reasons, without prior notice. The information in this publication is provided 'as is' on the revision date stated on the sheet. Updates will not be issued automatically. This information is not intended to have any legal effect, whether by way of advice, representation or warranty (express or implied). We accept no liability whatsoever (to the extent permitted by law) if you place any reliance on this publication you must do so at your own risk. All rights reserved. Copyright in this publication belongs to Polypipe Italia and all such copyright may not be used, sold, copied or reproduced in whole or part in any manner in any media to any person without prior consent. **EFFAST** is a registered trademark."