

PVC-U Gate valves

PVC-U Valvole a ghigliottina

PVC gate valve is ideally suited for flow control using minimal piping space. Is available with Stainless Steel spindle with triple sealing at the top and are equipped with TPV seals (100% chemical resistant) which are suited for vacuum and pressure. Gate valve can be used in pools, whirlpools, tanks, greenhouses.

La valvola a ghigliottina in PVC è ideale per il controllo del flusso utilizzando uno spazio minimo delle tubazioni. Sono disponibili con asta in acciaio inossidabile con tripla tenuta superiore e sono dotati di guarnizioni in TPV (100% resistenti ai prodotti chimici) adatte per vuoto e pressione. La valvola a ghigliottina può essere usata in piscine, idromassaggi, vasche, serre.

- Ideal for low pressure installations
Ideale per sistemi con basse pressioni
- Easy to open and close
Facile da aprire e chiudere
- Light weight
Leggera
- Available with plastic or SS AISI 304 paddle
Disponibile con saracinesca in plastica o in Acciaio AISI 304
- Also available in Inch sizes
Disponibile anche con manicotti BS
- With gate keeper in open position
Con possibilità di blocco della saracinesca in posizione aperta



TECHNICAL FEATURES / CARATTERISTICHE TECNICHE

NOMINAL PRESSURE / PRESSIONE NOMINALE	PN 6 - 20°C
DIMENSIONS / DIMENSIONI	Plastic paddle: d.50 - 160 mm / Saracinesca in plastica: d.50 - 160 mm SS AISI 304 paddle: d.110 - 250 mm / Saracinesca in SS AISI 304: d.110 - 250 mm
VALVE MATERIAL / MATERIALE VALVOLA	PVC-U
PADDLE MATERIAL / MATERIALE SARACINESCA	Plastic from d.50 to 160 mm / Plastica dal d.50 al 160 mm SS AISI 304 from d.110 to 250 mm / SS AISI 304 dal d.110 al 250 mm
SEALS MATERIAL / MATERIALE GUARNIZIONI	TPV
TEMPERATURE RANGE / TEMPERATURA	0°C ÷ 60°C
COUPLING STANDARDS / GIUNZIONI	Metric or BS solvent welded sockets / Manicotti per incollaggio metrici o BS

Max operational pressure open / Massima pressione di esercizio a valvola aperta.

d	50	63	75	90	110	160	200	250
Bar	2.1	1.4	1	1	1	0.4	0.4	0.4

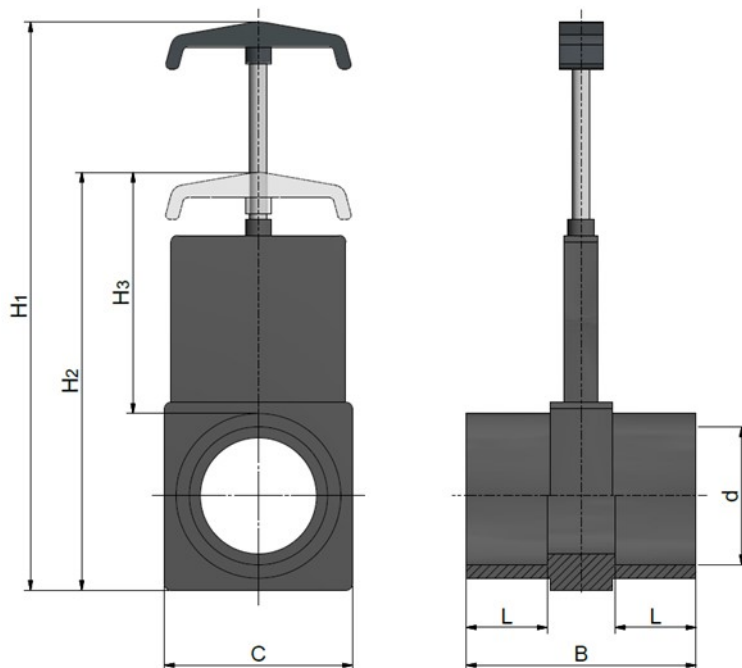
Max operational pressure closed / Massima pressione di esercizio a valvola chiusa

d	50	63	75	90	110	160	200	250
Bar	3.1	2.8	1	1	1	0.7	0.7	0.5

PVC-U Gate valves

PVC-U Valvole a ghigliottina

Dimension / Dimensioni



SS AISI 304 Paddle - solvent welded metric / Saracinesca in Acciaio SS AISI 304 - manicotti metrici per incollaggio

Code	d	B	C	H1	H2	H3	Weight (g)
BDRBGD110.SS	110	131	175	454	337	168	1900
BDRBGD160.SS	160	282	282	795	578	327	6100
BDRBGD200.SS	200	277	282	795	578	327	5800
BDRBGD250.SS	250	341	469	1232	889	514	19000

Plastic Paddle - solvent welded metric / Saracinesca in plastica - manicotti metrici per incollaggio

Code	d	L	B	C	H1	H2	H3	PN	Weight (g)
BDRBGD0500	50	35	98	73	222	168	98	6	360
BDRBGD0630	63	37	105	85	260	191	111	6	430
BDRBGD0750	75	49	133	111	324	238	130	6	840
BDRBGD0900	90	49	133	111	324	238	130	6	875
BDRBGD1100	110	48	130	169	454	330	181	6	1900
BDRBGD1600	160	111	279	279	800	572	343	6	3000

All descriptions and illustrations in this publication are intended for guidance only and shall not constitute a 'sale by description'. All dimensions given are nominal, while changes can be done on the information, products and specifications from time to time for a variety of reasons, without prior notice. The information in this publication is provided 'as is' on the revision date stated on the sheet. Updates will not be issued automatically. This information is not intended to have any legal effect, whether by way of advice, representation or warranty (express or implied). We accept no liability whatsoever (to the extent permitted by law) if you place any reliance on this publication you must do so at your own risk. All rights reserved. Copyright in this publication belongs to Polypipe Italia and all such copyright may not be used, sold, copied or reproduced in whole or part in any manner in any media to any person without prior consent. **EFFAST** is a registered trademark."