

PP-H Butterfly valves PROFLOW® T

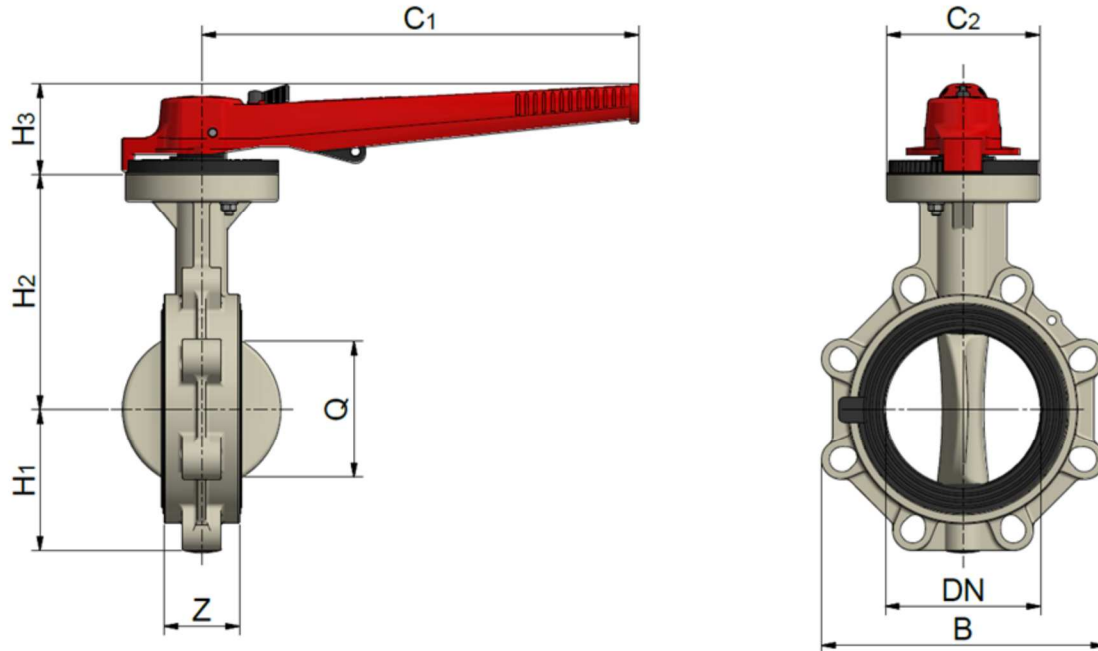
PP-H Valvole a farfalla PROFLOW® T



MANUAL MANUALE

Rev. Jun 2019

- Disc: PP-H / Disco: PP-H
- Stem: stainless steel AISI 316 / Asta: acciaio AISI 316
- Seals: EPDM or FKM / Guarnizioni: EPDM o FKM
- Installation between EN/ISO/DIN, ANSI or JIS flanges / Installazione mediante flange EN/ISO/DIN, ANSI o JIS



Code EPDM	Code FKM	d	DN	Z	H1	H2	H3	C1	C2	B	Q	PN	Weight (g)
FHPPFT0750	FHPPFT075V	75	65	48	80	132	63	246	113	134	61	10	1454
FHPPFT0900	FHPPFT090V	90	80	59	92	132	63	246	113	139	73	10	1562
FHPPFT1100	FHPPFT110V	110	100	59,5	106	132	63	246	113	150	82	10	1874
FHPPFT1400	FHPPFT140V	125/140	125	65	119	159	63	246	113	185	107	10	2148
FHPPFT1600	FHPPFT160V	160	150	69	130	215	83	400	140	259	128	10	5438
FHPPFT2250	FHPPFT225V	200/225	200	71	159	215	83	400	140	318	177	10	6030

DN 65 and 150-200: full drilled body; DN 80-125: partially drilled body

DN 65 e 150-200: corpo con asolatura completa; DN 80-125: corpo con asolatura parziale



All descriptions and illustrations in this publication are intended for guidance only and shall not constitute a 'sale by description'. All dimensions given are nominal, while changes can be done on the information, products and specifications from time to time for a variety of reasons, without prior notice. The information in this publication is provided 'as is' on the revision date stated on the sheet. Updates will not be issued automatically. This information is not intended to have any legal effect, whether by way of advice, representation or warranty (express or implied). We accept no liability whatsoever (to the extent permitted by law) if you place any reliance on this publication you must do so at your own risk. All rights reserved. Copyright in this publication belongs to Polypipe Italia and all such copyright may not be used, sold, copied or reproduced in whole or part in any manner in any media to any person without prior consent. **EFFAST** is a registered trademark."