

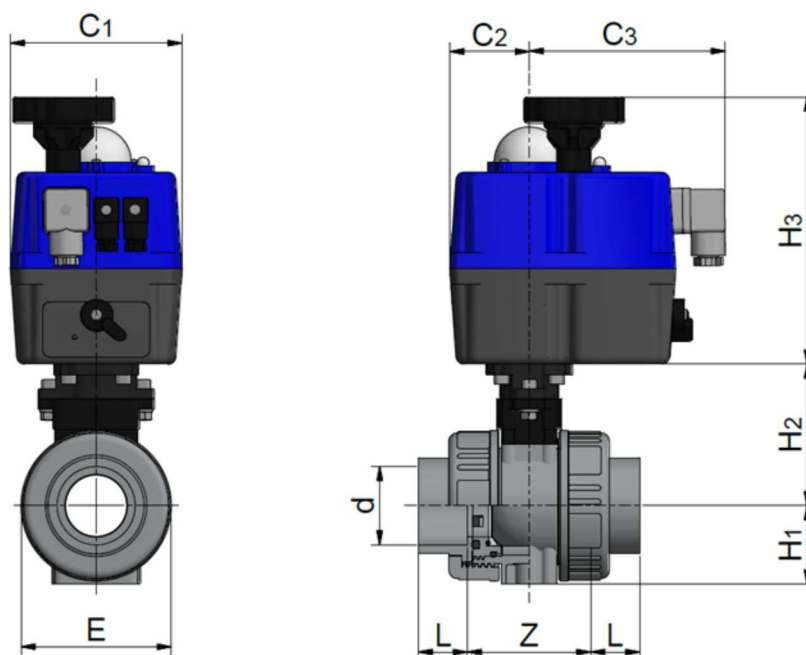
ABS Actuated industrial ball valves BK1

ABS Valvole a sfera industria attuate BK1

ELECTRICALLY ACTUATED 12 V - BS SOLVENT WELDED SOCKETS
A COMANDO ELETTRICO 12 V - MANICOTTI BS PER INCOLLAGGIO

Rev. Dec 2019

- Seals: EPDM or FKM / Guarnizioni: EPDM o FKM
- Ball seats: PTFE / Tenute della sfera: PTFE



Code EPDM	Code FKM	d	DN	L	Z	E	C1	C2	C3	H1	H2	H3	PN	Weight (g)
BAAEBK1JA0200	BAAEBK1JA020V	3/8"	15	16	48	49	110	51	130	25	58	169	16	2465
BAAEBK1JA0250	BAAEBK1JA025V	1/2"	20	19	54	60	110	51	130	31	65	169	16	2568
BAAEBK1JA0320	BAAEBK1JA032V	3/4"	25	22	62	69	110	51	130	35	62	169	16	2615
BAAEBK1JA0400	BAAEBK1JA040V	1"	32	26	69	80	110	51	130	41	79	169	16	2816
BAAEBK1JA0500	BAAEBK1JA050V	1 1/4"	40	31	81	96	110	51	130	50	89	169	16	3145
BAAEBK1JA0630	BAAEBK1JA063V	1 1/2"	50	39	94	116	110	51	130	62	108	169	16	3137
BAAEBK1JA0750	BAAEBK1JA075V	2"	65	44	141	167	110	51	130	84	129	196	16	6389
BAAEBK1JA0900	BAAEBK1JA090V	2 1/2"	80	51	140	167	110	51	130	84	129	196	16	6305
BAAEBK1JA1100	BAAEBK1JA110V	3"	100	61	162	209	110	51	130	105	144	196	16	9073



NSF and WRAS certifications: only for valves with EPDM seals. Certifications and approvals are related to items declared on Official Listing or certificates. /
 Certificazioni NSF e WRAS: valide solo per le valvole con guarnizioni EPDM. Le certificazioni si riferiscono ai prodotti dichiarati nelle Official Listing o sui certificati stessi.

All descriptions and illustrations in this publication are intended for guidance only and shall not constitute a 'sale by description'. All dimensions given are nominal, while changes can be done on the information, products and specifications from time to time for a variety of reasons, without prior notice. The information in this publication is provided 'as is' on the revision date stated on the sheet. Updates will not be issued automatically. This information is not intended to have any legal effect, whether by way of advice, representation or warranty (express or implied). We accept no liability whatsoever (to the extent permitted by law) if you place any reliance on this publication you must do so at your own risk. All rights reserved. Copyright in this publication belongs to Polypipe Italia and all such copyright may not be used, sold, copied or reproduced in whole or part in any manner in any media to any person without prior consent. **EFFAST** is a registered trademark."