

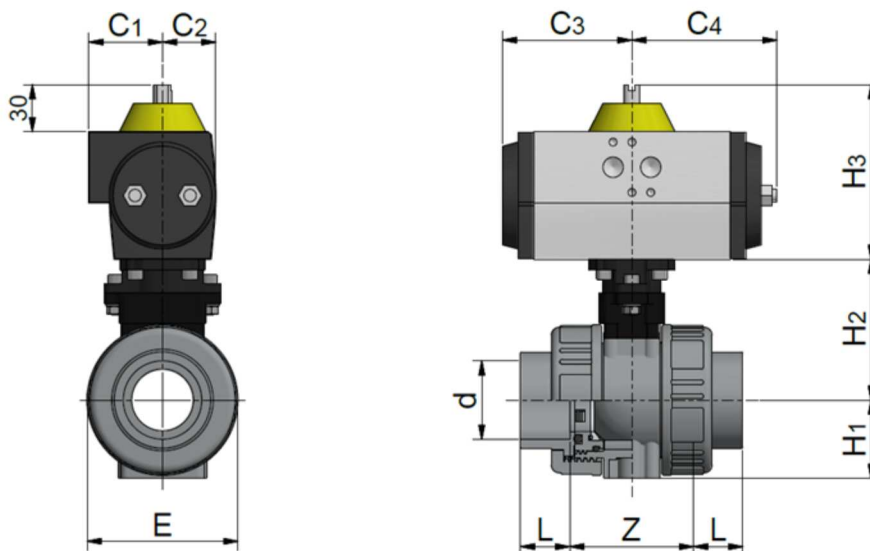
# ABS Actuated industrial ball valves BK1

## ABS Valvole a sfera industria attuate BK1

**PNEUMATICALLY ACTUATED – DOUBLE ACTING - BS SOLVENT WELDED SOCKETS**  
**COMANDO PNEUMATICO – DOPPIO EFFETTO - MANICOTTI BS PER INCOLLAGGIO**

Rev. Dec 2019

- Seals: EPDM or FKM / *Guarnizioni: EPDM o FKM*
- Ball seats: PTFE / *Tenute della sfera: PTFE*



Code EPDM 1	d	DN	L	Z	E	C1	C2	C3	C4	H1	H2	H3	PN	Weight (g)
BAAPBK1016D	3/8"	15	14,5	51	49	40	27	59,5	59,5	25	58	71	16	1575
BAAPBK1020D	1/2"	15	16	48	49	40	27	59,5	59,5	25	58	71	16	1575
BAAPBK1025D	3/4"	20	19	54	60	40	27	59,5	59,5	31	65	71	16	1678
BAAPBK1032D	1"	25	22	62	69	40	27	59,5	59,5	35	62	71	16	1725
BAAPBK1040D	1"1/4	32	26	69	80	40	27	59,5	59,5	41	79	71	16	1926
BAAPBK1050D	1"1/2	40	31	81	96	40	27	59,5	59,5	50	89	71	16	2255
BAAPBK1063D	2"	50	39	94	116	40	27	59,5	59,5	62	108	71	16	2247
BAAPBK1075D	2"1/2	65	44	141	167	47	34	98,5	108,5	84	129	81	16	6169
BAAPBK1090D	3"	80	51	140	167	47	34	98,5	108,5	84	129	81	16	6085
BAAPBK1110D	4"	100	61	162	209	54	42	88,5	97,5	105	144	98	16	8853

1) FKM code / *Codice FKM* : BAAPBK1\*\*\*DV



NSF and WRAS certifications: only for valves with EPDM seals. Certifications and approvals are related to items declared on Official Listing or certificates. /  
 Certificazioni NSF e WRAS: valide solo per le valvole con guarnizioni EPDM. Le certificazioni si riferiscono ai prodotti dichiarati nelle Official Listing o sui certificati stessi.

All descriptions and illustrations in this publication are intended for guidance only and shall not constitute a 'sale by description'. All dimensions given are nominal, while changes can be done on the information, products and specifications from time to time for a variety of reasons, without prior notice. The information in this publication is provided 'as is' on the revision date stated on the sheet. Updates will not be issued automatically. This information is not intended to have any legal effect, whether by way of advice, representation or warranty (express or implied). We accept no liability whatsoever (to the extent permitted by law) if you place any reliance on this publication you must do so at your own risk. All rights reserved. Copyright in this publication belongs to Polypipe Italia and all such copyright may not be used, sold, copied or reproduced in whole or part in any manner in any media to any person without prior consent. **EFFAST** is a registered trademark."