

PVC-U Double union ball valves BK1

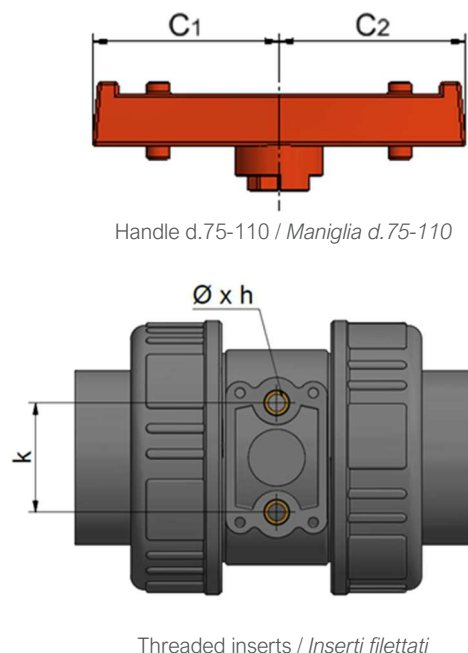
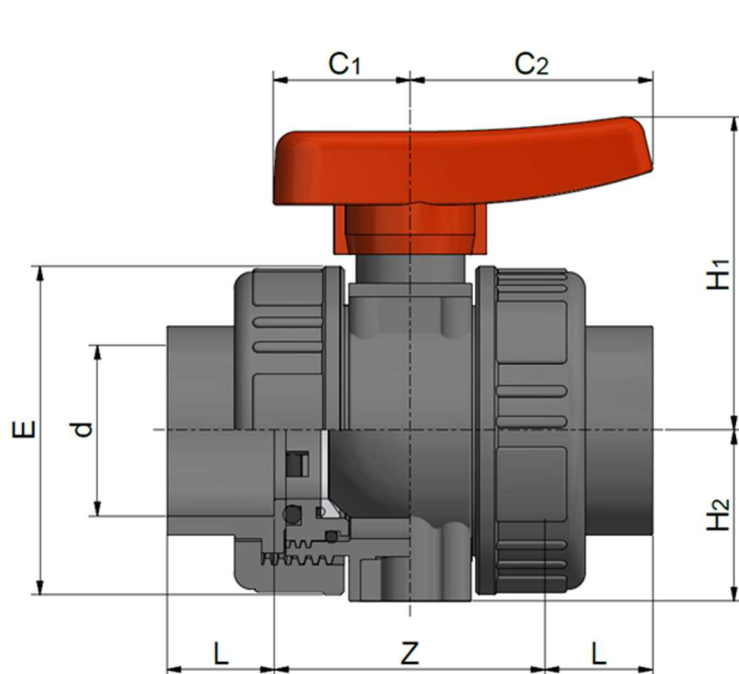
PVC-U Valvole a sfera radiali BK1

BS SOLVENT WELDED SOCKETS

MANICOTTI BS PER INCOLLAGGIO

Rev. Feb 2020

- Seals: EPDM or FKM / *Guarnizioni: EPDM o FKM*
- Ball seats: PTFE / *Tenute della sfera: PTFE*
- Threaded inserts (d.16-63): brass / *Inseriti filettati (d.16-63): ottone*



Code EPDM	Code FKM	d	DN	L	Z	H1	H2	C1	C2	E	k	Ø x h	PN	Weight (g)
BARBK1A0160	BARBK1A016V	3/8"	15	14,5	51	50	25	22	42	49	18	M4 x 8	16	175
BARBK1A0200	BARBK1A020V	1/2"	15	16	48	50	25	22	42	49	18	M4 x 8	16	175
BARBK1A0250	BARBK1A025V	3/4"	20	19	54	58	31	24	49	60	21,5	M4 x 8	16	287
BARBK1A0320	BARBK1A032V	1"	25	22	62	69	35	26	59	69	28	M4 x 8	16	338
BARBK1A0400	BARBK1A040V	1"1/4	32	26	69	76	41	32	65	80	30	M5 x 10	16	550
BARBK1A0500	BARBK1A050V	1"1/2	40	31	81	92	50	40	71	96	38	M6 x 14	16	800
BARBK1A0630	BARBK1A063V	2"	50	39	94	104	62	45	79	116	45	M6 x 14	16	1315
BARBK1A0750	BARBK1A075V	2"1/2	80	44	141	145	84	84,5	84,5	167	-	-	16	3568
BARBK1A0900	BARBK1A090V	3"	80	51	140	145	84	84,5	84,5	167	-	-	16	3568
BARBK1A1100	BARBK1A110V	4"	100	61	162	170	105	102	102	209	-	-	16	6140



NSF and WRAS certifications: only for valves with EPDM seals. Certifications and approvals are related to items declared on Official Listing or certificates. /
 Certificazioni NSF e WRAS: valide solo per le valvole con guarnizioni EPDM. Le certificazioni si riferiscono ai prodotti dichiarati nelle Official Listing o sui certificati stessi.

All descriptions and illustrations in this publication are intended for guidance only and shall not constitute a 'sale by description'. All dimensions given are nominal, while changes can be done on the information, products and specifications from time to time for a variety of reasons, without prior notice. The information in this publication is provided 'as is' on the revision date stated on the sheet. Updates will not be issued automatically. This information is not intended to have any legal effect, whether by way of advice, representation or warranty (express or implied). We accept no liability whatsoever (to the extent permitted by law) if you place any reliance on this publication you must do so at your own risk. All rights reserved. Copyright in this publication belongs to Polypipe Italia and all such copyright may not be used, sold, copied or reproduced in whole or part in any manner in any media to any person without prior consent. **EFFAST** is a registered trademark."