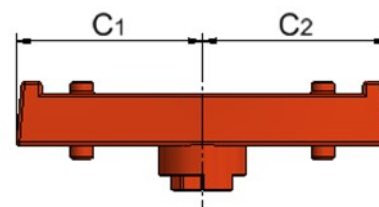
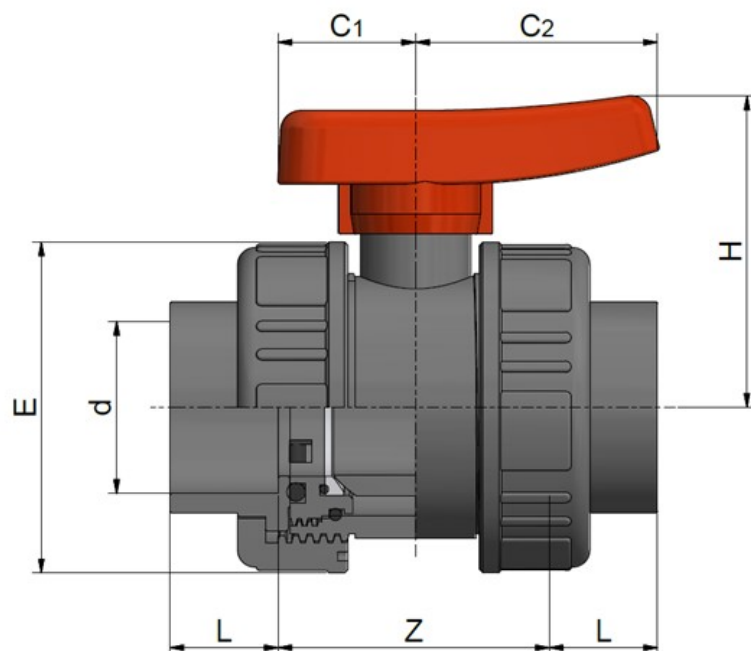


PVC-U True union ball valves BX PVC-U Valvole a sfera bighiera BX

BS SOLVENT WELDED SOCKETS MANICOTTI BS PER INCOLLAGGIO

Rev. Feb 2021

- Seals: EPDM or FKM / *Guarnizioni: EPDM o FKM*
- Ball seats: PTFE / *Tenute della sfera: PTFE*



Handle d.75-110 / *Maniglia d.75-110*

Code EPDM	d	DN	L	Z	H	C1	C2	E	PN	Weight (g)
BARBXA0160	3/8"	15	14,5	51	50	22	42	49	16	140
BARBXA0200	1/2"	15	16	48	50	22	42	49	16	140
BARBXA0250	3/4"	20	19	54	58	24	49	60	16	200
BARBXA0320	1"	25	22	62	69	26	59	69	16	300
BARBXA0400	1"1/4	32	26	69	76	32	65	80	16	450
BARBXA0500	1"1/2	40	31	81	92	40	71	96	16	690
BARBXA0630	2"	50	39	94	104	45	79	116	16	1150
BARBXA0750	2"1/2	65	44	141	145	84,5	84,5	167	16	3100
BARBXA0900	3"	80	51	140	145	84,5	84,5	167	16	3200
BARBXA1100	4"	100	61	162	170	102	102	209	16	5500



NSF and WRAS certifications: only for valves with EPDM seals. Certifications and approvals are related to items declared on Official Listing or certificates. /
Certificazioni NSF e WRAS: valide solo per le valvole con guarnizioni EPDM. Le certificazioni si riferiscono ai prodotti dichiarati nelle Official Listing o sui certificati stessi.

All descriptions and illustrations in this publication are intended for guidance only and shall not constitute a 'sale by description'. All dimensions given are nominal, while changes can be done on the information, products and specifications from time to time for a variety of reasons, without prior notice. The information in this publication is provided 'as is' on the revision date stated on the sheet. Updates will not be issued automatically. This information is not intended to have any legal effect, whether by way of advice, representation or warranty (express or implied). We accept no liability whatsoever (to the extent permitted by law) if you place any reliance on this publication you must do so at your own risk. All rights reserved. Copyright in this publication belongs to Polypipe Italia and all such copyright may not be used, sold, copied or reproduced in whole or part in any manner in any media to any person without prior consent. **EFFAST** is a registered trademark."