

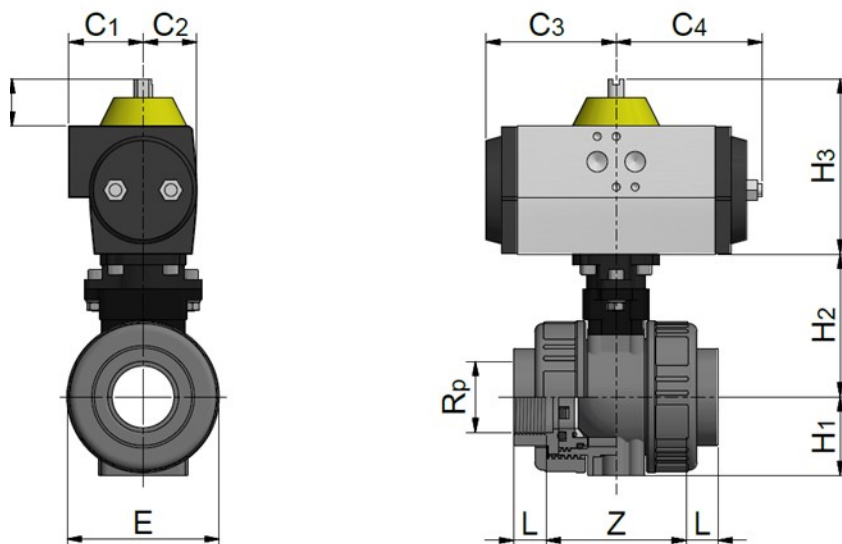
PVC-U Actuated industrial ball valves BK1

PVC-U Valvole a sfera industria BK1 attuate

PNEUMATICALLY ACTUATED DOUBLE ACTING - BS SOLVENT WELDED SOCKETS
COMANDO PNEUMATICO DOPPIO EFFETTO - MANICOTTI BS PER INCOLLAGGIO

Rev. Mar 2021

- Seals: EPDM or FKM / *Guarnizioni: EPDM o FKM*
- Ball seats: PTFE / *Tenute della sfera: PTFE*



Code EPDM ¹	d	DN	L	Z	E	C1	C2	C3	C4	H1	H2	H3	PN	Weight (g)
BARPBK1016D	3/8"	15	14,5	51	49	40	27	59,5	59,5	25	58	71	16	1575
BARPBK1020D	1/2"	15	16	48	49	40	27	59,5	59,5	25	58	71	16	1575
BARPBK1025D	3/4"	20	19	54	60	40	27	59,5	59,5	31	65	71	16	1678
BARPBK1032D	1"	25	22	62	69	40	27	59,5	59,5	35	74,5	71	16	1725
BARPBK1040D	1"1/4	32	26	69	80	40	27	59,5	59,5	41	82	71	16	1926
BARPBK1050D	1"1/2	40	31	81	96	40	27	59,5	59,5	50	90	71	16	2255
BARPBK1063D	2"	50	39	94	116	40	27	59,5	59,5	62	102,5	71	16	2247
BARPBK1075D	2"1/2	65	44	141	167	47	34	98,5	108,5	84	117,5	81	16	6169
BARPBK1090D	3"	80	51	140	167	47	34	98,5	108,5	84	117,5	81	16	6085
BARPBK1110D	4"	100	61	162	209	54	42	88,5	97,5	105	139,5	98	16	8853

1) FKM code / Codice FKM : BARPBK1***DV



NSF and WRAS certifications: only for valves with EPDM seals. Certifications and approvals are related to items declared on Official Listing or certificates. /
 Certificazioni NSF e WRAS: valide solo per le valvole con guarnizioni EPDM. Le certificazioni si riferiscono ai prodotti dichiarati nelle Official Listing o sui certificati stessi.

All descriptions and illustrations in this publication are intended for guidance only and shall not constitute a 'sale by description'. All dimensions given are nominal, while changes can be done on the information, products and specifications from time to time for a variety of reasons, without prior notice. The information in this publication is provided 'as is' on the revision date stated on the sheet. Updates will not be issued automatically. This information is not intended to have any legal effect, whether by way of advice, representation or warranty (express or implied). We accept no liability whatsoever (to the extent permitted by law) if you place any reliance on this publication you must do so at your own risk. All rights reserved. Copyright in this publication belongs to Polypipe Italia and all such copyright may not be used, sold, copied or reproduced in whole or part in any manner in any media to any person without prior consent. **EFFAST** is a registered trademark."