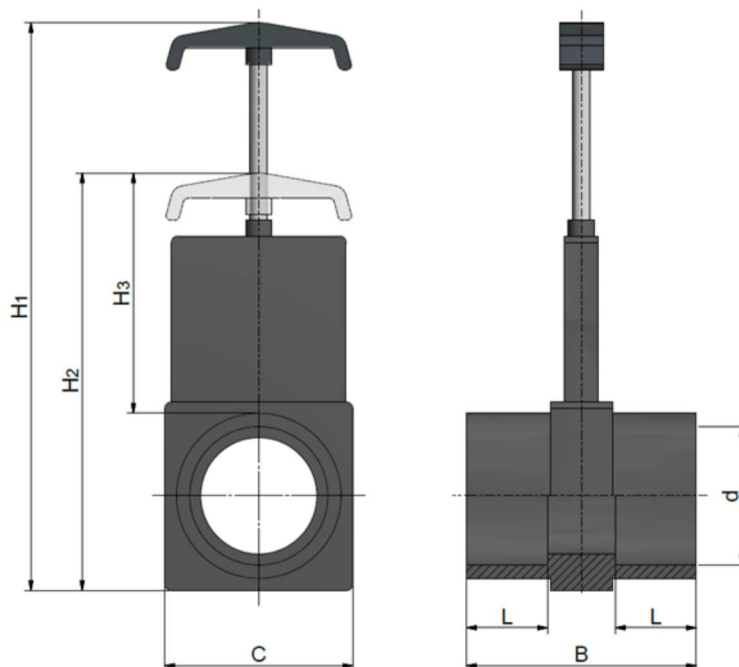


PVC-U Gate valves

PVC-U Valvole a ghigliottina

**STAINLESS STEEL PADDLE , SOLVENT WELDED METRIC SOCKETS
LAMA IN ACCIAIO INOX, MANICOTTI METRICI PER INCOLLAGGIO**

Rev. May 2019



Code	d	B	C	H1	H2	H3	Weight (g)
BDRBGD110.SS	110	131	175	454	337	168	1900
BDRBGD160.SS	160	282	282	795	578	327	6100
BDRBGD200.SS	200	277	282	795	578	327	5800
BDRBGD250.SS	250	341	469	1232	889	514	19000

All descriptions and illustrations in this publication are intended for guidance only and shall not constitute a 'sale by description'. All dimensions given are nominal, while changes can be done on the information, products and specifications from time to time for a variety of reasons, without prior notice. The information in this publication is provided 'as is' on the revision date stated on the sheet. Updates will not be issued automatically. This information is not intended to have any legal effect, whether by way of advice, representation or warranty (express or implied). We accept no liability whatsoever (to the extent permitted by law) if you place any reliance on this publication you must do so at your own risk. All rights reserved. Copyright in this publication belongs to Polypipe Italia and all such copyright may not be used, sold, copied or reproduced in whole or part in any manner in any media to any person without prior consent. **EFFAST** is a registered trademark."