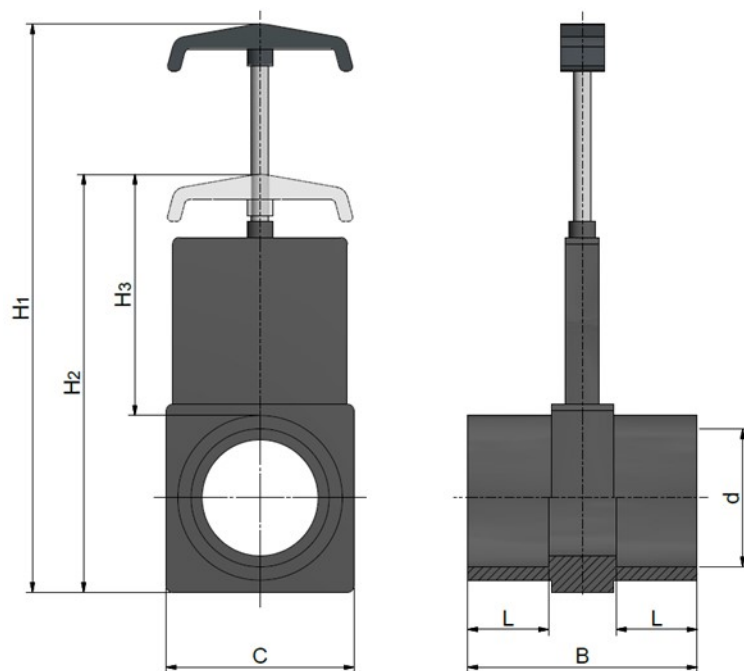


PVC-U Gate valves

PVC-U Valvole a ghigliottina

PLASTIC PADDLE, SOLVENT WELDED METRIC SOCKETS
LAMA IN PLASTICA, MANICOTTI METRICI PER INCOLLAGGIO

Rev. Oct 2021



Code	d	L	B	C	H1	H2	H3	Weight (g)
BDRBGD0500	50	35	98	73	222	168	98	360
BDRBGD0630	63	37	105	85	260	191	111	430
BDRBGD0750	75	49	133	111	324	238	130	840
BDRBGD0900	90	49	133	111	324	238	130	875
BDRBGD1100	110	48	130	169	454	330	181	1900
BDRBGD1600	160	111	279	279	800	572	343	3000

All descriptions and illustrations in this publication are intended for guidance only and shall not constitute a 'sale by description'. All dimensions given are nominal, while changes can be done on the information, products and specifications from time to time for a variety of reasons, without prior notice. The information in this publication is provided 'as is' on the revision date stated on the sheet. Updates will not be issued automatically. This information is not intended to have any legal effect, whether by way of advice, representation or warranty (express or implied). We accept no liability whatsoever (to the extent permitted by law) if you place any reliance on this publication you must do so at your own risk. All rights reserved. Copyright in this publication belongs to Polypipe Italia and all such copyright may not be used, sold, copied or reproduced in whole or part in any manner in any media to any person without prior consent. **EFFAST** is a registered trademark.