

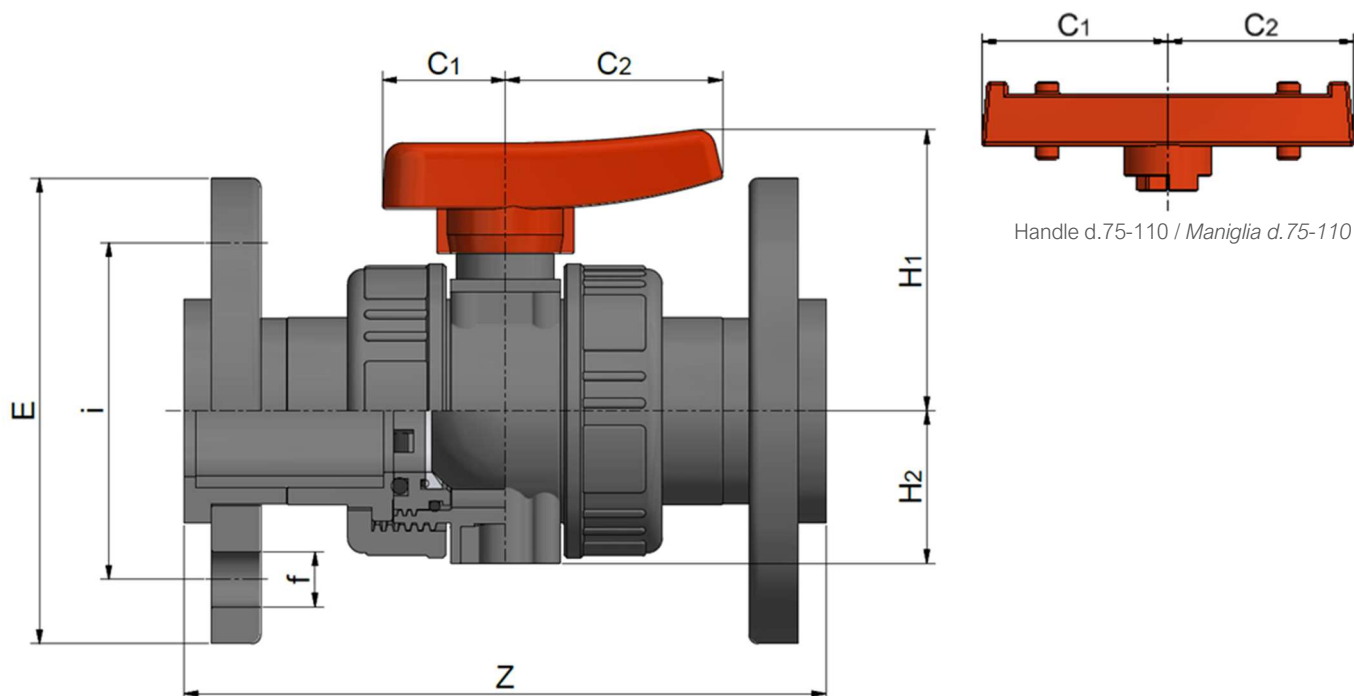
PVC-U Double union ball valves BK1

PVC-U Valvole a sfera radiali BK1

FLANGED EN/ISO/DIN FLANGIATA EN/ISO/DIN

Rev. Feb 2020

- With EPDM or FKM flat gaskets / Con guarnizioni piane in EPDM o in FKM
- Seals: EPDM or FKM / Guarnizioni: EPDM o FKM
- Ball seats: PTFE / Tenute della sfera: PTFE



Handle d.75-110 / Maniglia d.75-110

Code EPDM	Code FKM	d	DN	Z	H1	H2	C1	C2	E	i	f	Bolts/ Bulloni	PN	Weight (g)
BDRBK1F0200	BDRBK1F020V	20	15	118	50	25	22	42	95	65	14	4 x M12	16	399
BDRBK1F0250	BDRBK1F025V	25	20	138	58	31	24	49	105	75	14	4 x M12	16	585
BDRBK1F0320	BDRBK1F032V	32	25	158	69	35	26	59	115	85	14	4 x M12	16	754
BDRBK1F0400	BDRBK1F040V	40	32	179	76	41	32	65	142	100	18	4 x M16	16	1158
BDRBK1F0500	BDRBK1F050V	50	40	215	92	50	40	71	152	110	18	4 x M16	16	1572
BDRBK1F0630	BDRBK1F063V	63	50	256	104	62	45	79	165	125	18	4 x M16	16	2362
BDRBK1F0750	BDRBK1F075V	75	80	327	145	84	84,5	84,5	185	145	18	4 x M16	16	5001
BDRBK1F0900	BDRBK1F090V	90	80	353	145	84	84,5	84,5	200	160	18	8 x M16	16	5525
BDRBK1F1100	BDRBK1F110V	110	100	416	170	105	102	102	220	180	18	8 x M16	16	8971



NSF and WRAS certifications: only for valves with EPDM seals. Certifications and approvals are related to items declared on Official Listing or certificates. /
Certificazioni NSF e WRAS: valide solo per le valvole con guarnizioni EPDM. Le certificazioni si riferiscono ai prodotti dichiarati nelle Official Listing o sui certificati stessi.

All descriptions and illustrations in this publication are intended for guidance only and shall not constitute a 'sale by description'. All dimensions given are nominal, while changes can be done on the information, products and specifications from time to time for a variety of reasons, without prior notice. The information in this publication is provided 'as is' on the revision date stated on the sheet. Updates will not be issued automatically. This information is not intended to have any legal effect, whether by way of advice, representation or warranty (express or implied). We accept no liability whatsoever (to the extent permitted by law) if you place any reliance on this publication you must do so at your own risk. All rights reserved. Copyright in this publication belongs to Polypipe Italia and all such copyright may not be used, sold, copied or reproduced in whole or part in any manner in any media to any person without prior consent. **EFFAST** is a registered trademark."