

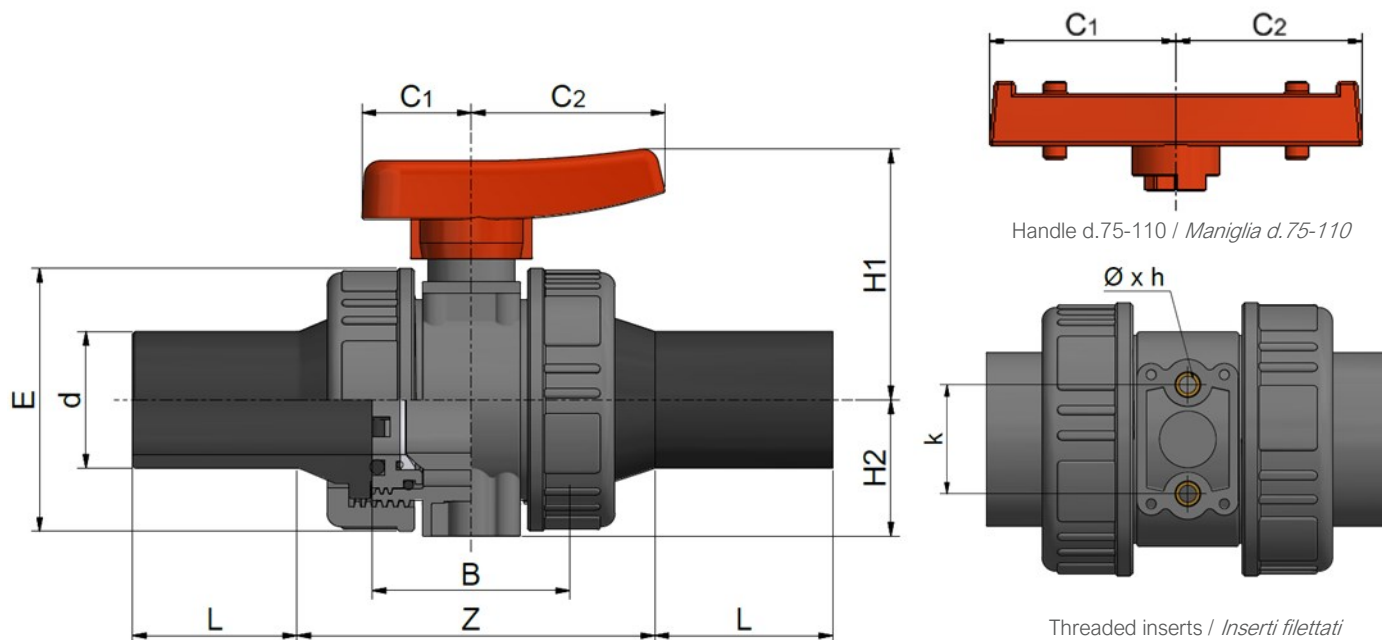
PVC-U True union ball valves BK1

PVC-U Valvole a sfera bighiera BK1

HDPE SPIGOTS MANICOTTI MASCHIO HDPE

Rev. Feb 2021

- Seals: EPDM or FKM / *Guarnizioni: EPDM o FKM*
- Ball seats: PTFE / *Tenute della sfera: PTFE*
- Threaded inserts (d.16-63): brass / *Inseriti filettati (d. 16-63): ottone*



Code EPDM	d	DN	L	Z	B	H1	H2	C1	C2	E	k	Ø x h	PN	Weight (g)
BDRBK1P0200	20	15	45	85	44	50	25	22	42	49	18	M4 x 8	16	187
BDRBK1P0250	25	20	50	100	49	58	31	24	49	60	21,5	M4 x 8	16	297
BDRBK1P0320	32	25	70	103	56	69	35	26	59	69	28	M4 x 8	16	370
BDRBK1P0400	40	32	60	116	62	76	41	32	65	80	30	M5 x 10	16	570
BDRBK1P0500	50	40	65	134	73	92	50	40	71	96	38	M6 x 14	16	846
BDRBK1P0630	63	50	75	166	87	104	62	45	79	116	45	M6 x 14	16	1420
BDRBK1P0750	75	65	95	195	130	145	84	84,5	84,5	167	-	-	16	3724
BDRBK1P0900	90	80	97	210	130	145	84	84,5	84,5	167	-	-	16	3770
BDRBK1P1100	110	100	110	238	152	170	105	102	102	209	-	-	16	6440



All descriptions and illustrations in this publication are intended for guidance only and shall not constitute a 'sale by description'. All dimensions given are nominal, while changes can be done on the information, products and specifications from time to time for a variety of reasons, without prior notice. The information in this publication is provided 'as is' on the revision date stated on the sheet. Updates will not be issued automatically. This information is not intended to have any legal effect, whether by way of advice, representation or warranty (express or implied). We accept no liability whatsoever (to the extent permitted by law) if you place any reliance on this publication you must do so at your own risk. All rights reserved. Copyright in this publication belongs to Polypipe Italia and all such copyright may not be used, sold, copied or reproduced in whole or part in any manner in any media to any person without prior consent. **EFFAST** is a registered trademark."