

PVC-U Double union ball valves BX

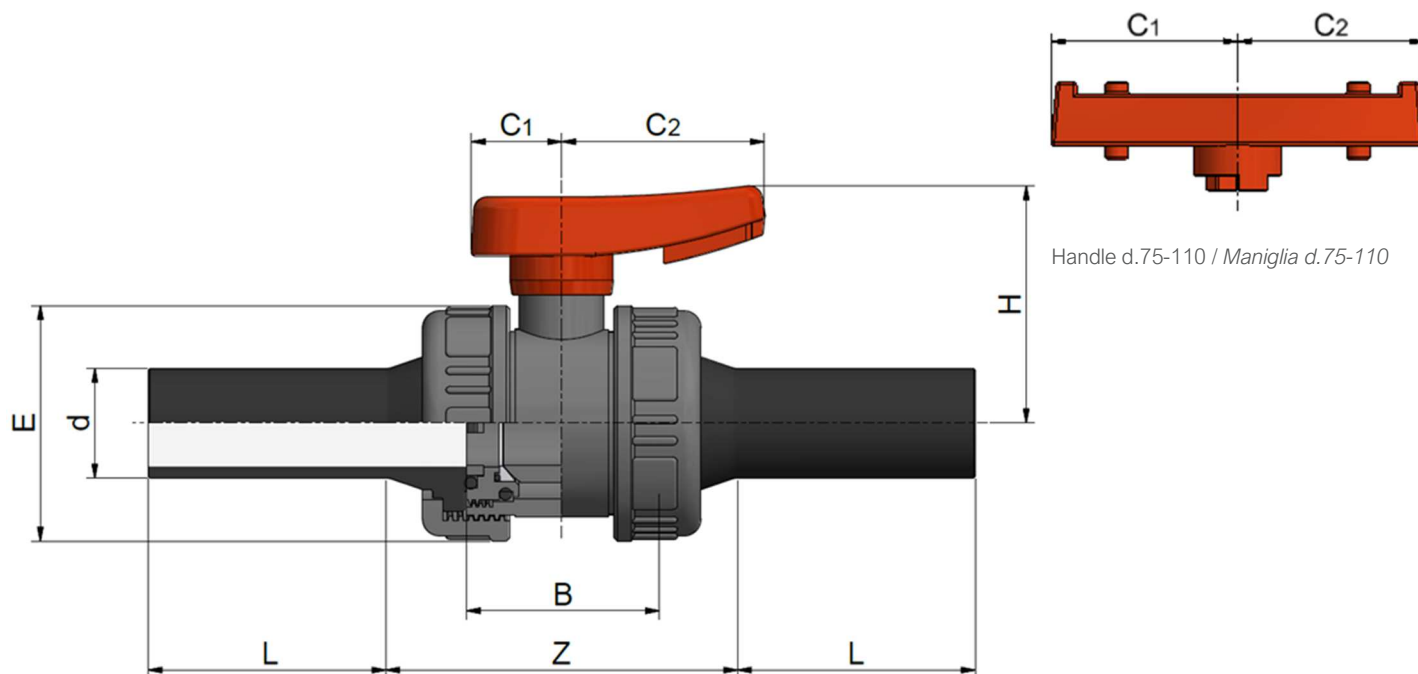
PVC-U Valvole a sfera radiali BX

HDPE SPIGOTS

MANICOTTI MASCHIO HDPE

- Seals: EPDM or FKM / *Guarnizioni: EPDM o FKM*
- Ball seats: PTFE / *Tenute della sfera: PTFE*

Rev. Feb 2020



Code EPDM	d	DN	L	Z	B	H	C1	C2	E	PN	Weight (g)
BDRBXP0200	20	15	45	85	44	50	22	42	49	16	152
BDRBXP0250	25	20	50	100	49	58	24	49	60	16	202
BDRBXP0320	32	25	70	103	56	69	26	59	69	16	330
BDRBXP0400	40	32	60	116	62	76	32	65	80	16	472
BDRBXP0500	50	40	65	134	73	92	40	71	96	16	750
BDRBXP0630	63	50	75	166	87	104	45	79	116	16	1288
BDRBXP0750	75	80	95	195	130	145	84,5	84,5	167	16	3256
BDRBXP0900	90	80	97	210	130	145	84,5	84,5	167	16	3536
BDRBXP1100	110	100	110	238	152	170	102	102	209	16	5740



All descriptions and illustrations in this publication are intended for guidance only and shall not constitute a 'sale by description'. All dimensions given are nominal, while changes can be done on the information, products and specifications from time to time for a variety of reasons, without prior notice. The information in this publication is provided 'as is' on the revision date stated on the sheet. Updates will not be issued automatically. This information is not intended to have any legal effect, whether by way of advice, representation or warranty (express or implied). We accept no liability whatsoever (to the extent permitted by law) if you place any reliance on this publication you must do so at your own risk. All rights reserved. Copyright in this publication belongs to Polypipe Italia and all such copyright may not be used, sold, copied or reproduced in whole or part in any manner in any media to any person without prior consent. **EFFAST** is a registered trademark."