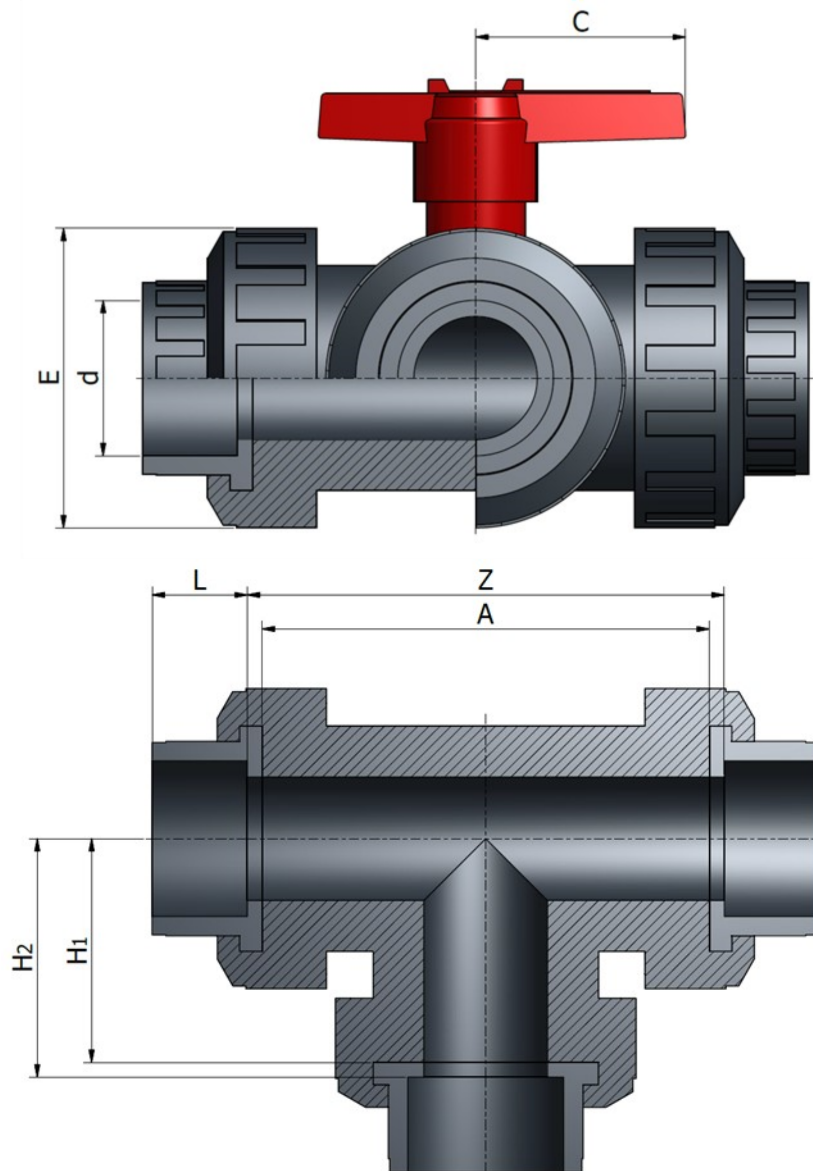


PVC-U 3-way ball valves

PVC-U Valvole a sfera a 3 vie

T-PORT - SOLVENT WELDED METRIC SOCKETS SFERA A T- MANICOTTI METRICI PER INCOLLAGGIO

Rev. Apr 2019



Code	DN	d	L	Z	A	H1	H2	C	E	PN	Weight (g)
BDRBTD025T	20	25	20	126	120	60	63	51,5	70	10	849
BDRBTD032T	25	32	22,5	126	120	60	63	51,5	70	10	693
BDRBTD050T	40	50	31,5	171	162	81	85,5	73	101	10	1845
BDRBTD063T	50	63	38,5	192	181	90,5	96	85	124,5	10	2800

All descriptions and illustrations in this publication are intended for guidance only and shall not constitute a 'sale by description'. All dimensions given are nominal, while changes can be done on the information, products and specifications from time to time for a variety of reasons, without prior notice. The information in this publication is provided 'as is' on the revision date stated on the sheet. Updates will not be issued automatically. This information is not intended to have any legal effect, whether by way of advice, representation or warranty (express or implied). We accept no liability whatsoever (to the extent permitted by law) if you place any reliance on this publication you must do so at your own risk. All rights reserved. Copyright in this publication belongs to Polypipe Italia and all such copyright may not be used, sold, copied or reproduced in whole or part in any manner in any media to any person without prior consent. **EFFAST** is a registered trademark."