

PVC-U True union ball valves BV

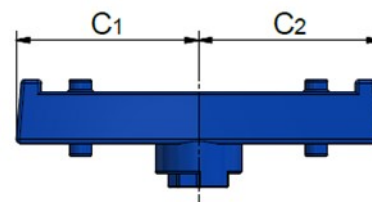
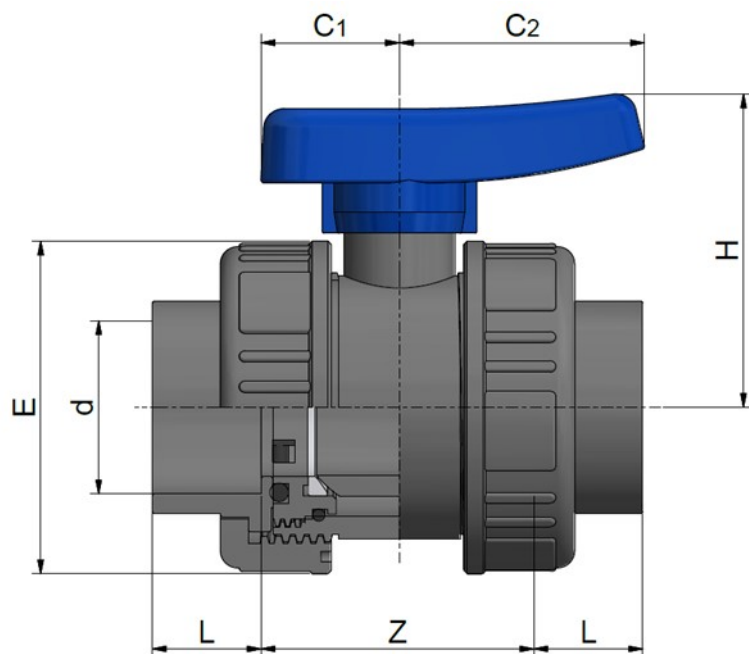
PVC-U Valvole a sfera bighiera BV

METRIC SOLVENT WELDED SOCKETS

MANICOTTI METRICI PER INCOLLAGGIO

Rev. Mar 2021

- Seals: EPDM / Guarnizioni: EPDM
- Ball seats: PE / Tenute della sfera: PE



Handle d.75-110 / Maniglia d.75-110

Code EPDM	d	DN	L	Z	H	C1	C2	E	PN	Weight (g)
BDRBVD0160	16	15	14,5	51	50	22	42	49	16	140
BDRBVD0200	20	15	16	48	50	22	42	49	16	140
BDRBVD0250	25	20	19	54	58	24	49	60	16	200
BDRBVD0320	32	25	22	62	69	26	59	69	16	300
BDRBVD0400	40	32	26	69	76	32	65	80	16	450
BDRBVD0500	50	40	31	81	92	40	71	96	16	690
BDRBVD0630	63	50	39	94	104	45	79	116	16	1150
BDRBVD0750	75	65	44	141	145	84,5	84,5	167	16	3050
BDRBVD0900	90	80	51	140	145	84,5	84,5	167	16	3200
BDRBVD1100	110	100	61	162	170	102	102	209	16	5400



NSF and WRAS certifications: only for valves with EPDM seals. Certifications and approvals are related to items declared on Official Listing or certificates. /
 Certificazioni NSF e WRAS: valide solo per le valvole con guarnizioni EPDM. Le certificazioni si riferiscono ai prodotti dichiarati nelle Official Listing o sui certificati stessi.

All descriptions and illustrations in this publication are intended for guidance only and shall not constitute a 'sale by description'. All dimensions given are nominal, while changes can be done on the information, products and specifications from time to time for a variety of reasons, without prior notice. The information in this publication is provided 'as is' on the revision date stated on the sheet. Updates will not be issued automatically. This information is not intended to have any legal effect, whether by way of advice, representation or warranty (express or implied). We accept no liability whatsoever (to the extent permitted by law) if you place any reliance on this publication you must do so at your own risk. All rights reserved. Copyright in this publication belongs to Polypipe Italia and all such copyright may not be used, sold, copied or reproduced in whole or part in any manner in any media to any person without prior consent. **EFFAST** is a registered trademark."