

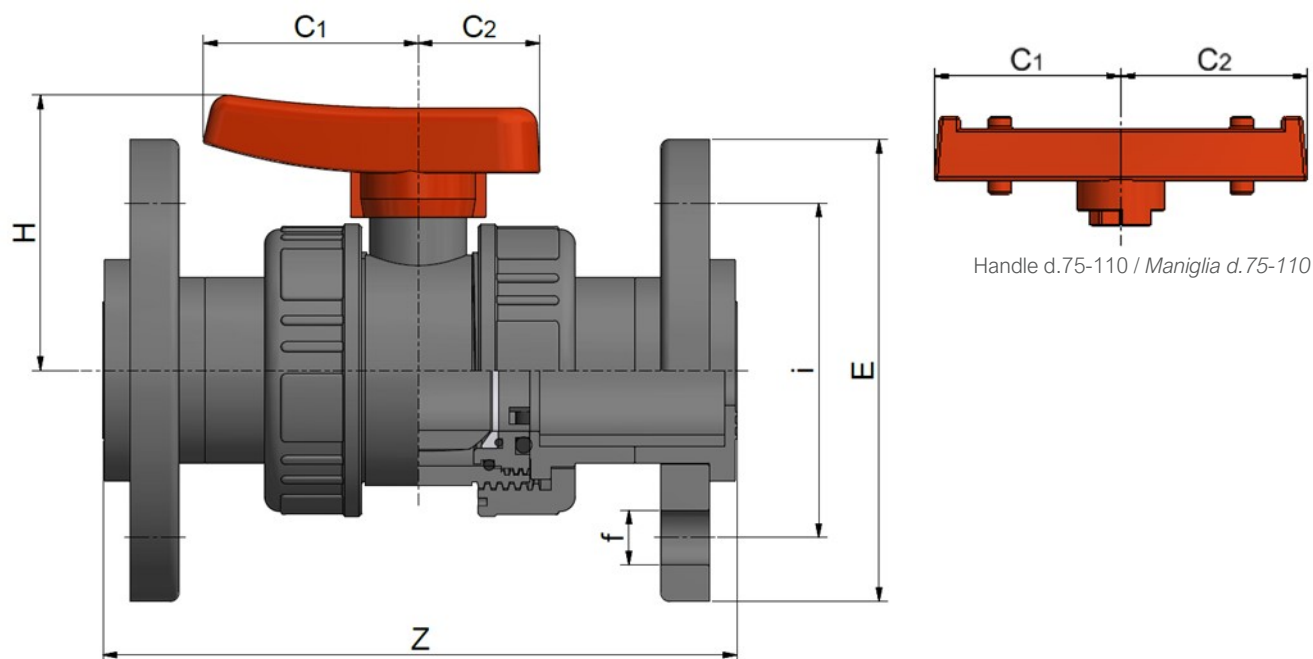
# PVC-U True union ball valves BX

## PVC-U Valvole a sfera bighiera BX

**FLANGED EN/ISO/DIN**  
**FLANGIATA EN/ISO/DIN**

Rev. Feb 2021

- Seals: EPDM or FKM / *Guarnizioni: EPDM o FKM*
- Ball seats: PTFE / *Tenute della sfera: PTFE*



Code EPDM	d	DN	Z	H	C1	C2	E	i	f	Bolts/ Bulloni	PN	Weight (g)
BDRBXF0200	20	15	118	50	42	22	95	65	14	4 x M12	16	364
BDRBXF0250	25	20	138	58	49	24	105	75	14	4 x M12	16	490
BDRBXF0320	32	25	158	69	59	26	115	85	14	4 x M12	16	714
BDRBXF0400	40	32	179	76	65	32	142	100	18	4 x M16	16	1060
BDRBXF0500	50	40	215	92	71	40	152	110	18	4 x M16	16	1476
BDRBXF0630	63	50	256	104	79	45	165	125	18	4 x M16	16	2230
BDRBXF0750	75	65	327	145	84,5	84,5	185	145	18	4 x M16	16	4533
BDRBXF0900	90	80	353	145	84,5	84,5	200	160	18	8 x M16	16	5291
BDRBXF1100	110	100	416	170	102	102	220	180	18	8 x M16	16	8271



NSF and WRAS certifications: only for valves with EPDM seals. Certifications and approvals are related to items declared on Official Listing or certificates. /  
Certificazioni NSF e WRAS: valide solo per le valvole con guarnizioni EPDM. Le certificazioni si riferiscono ai prodotti dichiarati nelle Official Listing o sui certificati stessi.

All descriptions and illustrations in this publication are intended for guidance only and shall not constitute a 'sale by description'. All dimensions given are nominal, while changes can be done on the information, products and specifications from time to time for a variety of reasons, without prior notice. The information in this publication is provided 'as is' on the revision date stated on the sheet. Updates will not be issued automatically. This information is not intended to have any legal effect, whether by way of advice, representation or warranty (express or implied). We accept no liability whatsoever (to the extent permitted by law) if you place any reliance on this publication you must do so at your own risk. All rights reserved. Copyright in this publication belongs to Polypipe Italia and all such copyright may not be used, sold, copied or reproduced in whole or part in any manner in any media to any person without prior consent. **EFFAST** is a registered trademark."

**Polypipe Italia**  
Loc. Pianmercato 5C-5D-5H, 16044 Cicagna (GE), Italy  
Tel: +39 0185 92399 E-mail: [support@effast.com](mailto:support@effast.com)

[www.effast.com](http://www.effast.com)