

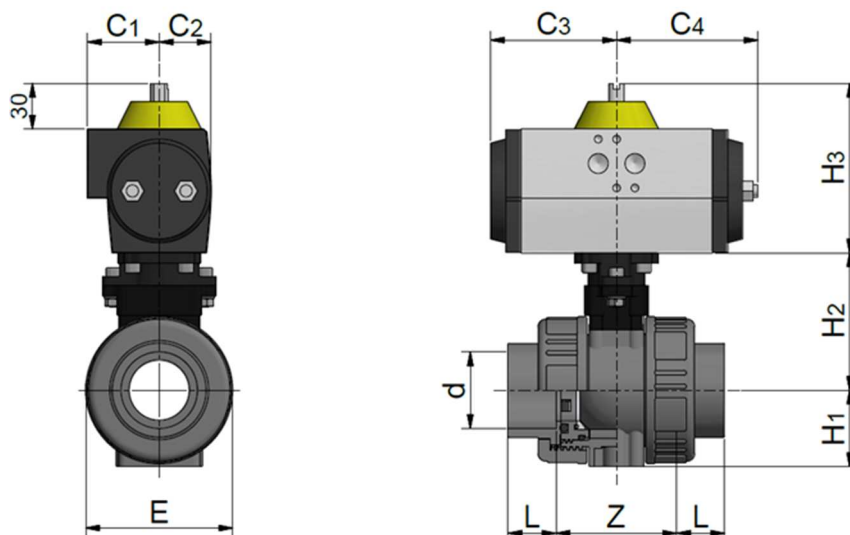
PVC-U Actuated industrial ball valves BK1

PVC-U Valvole a sfera industria BK1 attuate

PNEUMATICALLY ACTUATED DOUBLE ACTING - METRIC SOLVENT WELDED SOCKETS
COMANDO PNEUMATICO DOPPIO EFFETTO - MANICOTTI METRICI PER INCOLLAGGIO

Rev. Feb 2020

- Seals: EPDM or FKM / Guarnizioni: EPDM o FKM
- Ball seats: PTFE / Tenute della sfera: PTFE



Code EPDM ¹	d	DN	L	Z	E	C1	C2	C3	C4	H1	H2	H3	PN	Weight (g)
BDRPBK1016D	16	15	14,5	51	49	40	27	59,5	59,5	25	58	71	16	1575
BDRPBK1020D	20	15	16	48	49	40	27	59,5	59,5	25	58	71	16	1575
BDRPBK1025D	25	20	19	54	60	40	27	59,5	59,5	31	65	71	16	1678
BDRPBK1032D	32	25	22	62	69	40	27	59,5	59,5	35	74,5	71	16	1725
BDRPBK1040D	40	32	26	69	80	40	27	59,5	59,5	41	82	71	16	1926
BDRPBK1050D	50	40	31	81	96	40	27	59,5	59,5	50	90	71	16	2255
BDRPBK1063D	63	50	39	94	116	40	27	59,5	59,5	62	102,5	71	16	2247
BDRPBK1075D	75	80	44	141	167	47	34	98,5	108,5	84	117,5	81	16	6169
BDRPBK1090D	90	80	51	140	167	47	34	98,5	108,5	84	117,5	81	16	6085
BDRPBK1110D	110	100	61	162	209	54	42	88,5	97,5	105	139,5	98	16	8853

1) FKM code / Codice FKM : BDRPBK1***DV



NSF and WRAS certifications: only for valves with EPDM seals. Certifications and approvals are related to items declared on Official Listing or certificates. /
 Certificazioni NSF e WRAS: valide solo per le valvole con guarnizioni EPDM. Le certificazioni si riferiscono ai prodotti dichiarati nelle Official Listing o sui certificati stessi.

All descriptions and illustrations in this publication are intended for guidance only and shall not constitute a 'sale by description'. All dimensions given are nominal, while changes can be done on the information, products and specifications from time to time for a variety of reasons, without prior notice. The information in this publication is provided 'as is' on the revision date stated on the sheet. Updates will not be issued automatically. This information is not intended to have any legal effect, whether by way of advice, representation or warranty (express or implied). We accept no liability whatsoever (to the extent permitted by law) if you place any reliance on this publication you must do so at your own risk. All rights reserved. Copyright in this publication belongs to Polypipe Italia and all such copyright may not be used, sold, copied or reproduced in whole or part in any manner in any media to any person without prior consent. **EFFAST** is a registered trademark."