

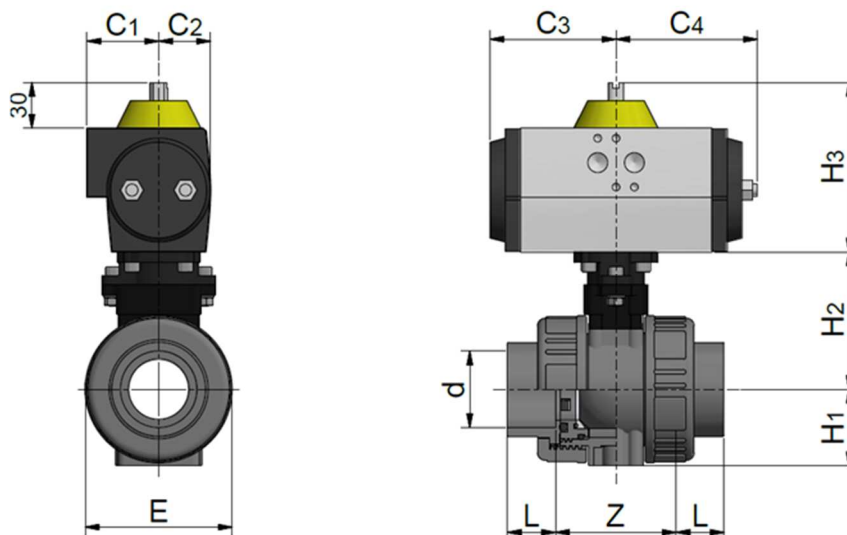
# PVC-U Actuated industrial ball valves BK1

## PVC-U Valvole a sfera industria BK1 attuate

**PNEUMATICALLY ACTUATED SPRING RETURN - METRIC SOLVENT WELDED SOCKETS**  
**COMANDO PNEUMATICO SEMPLICE EFFETTO - MANICOTTI METRICI PER INCOLLAGGIO**

Rev. Feb 2020

- Standard version: "fail-to-close" / *Versione standard: normalmente chiusa*
- Seals: EPDM or FKM / *Guarnizioni: EPDM o FKM*
- Ball seats: PTFE / *Tenute della sfera: PTFE*



Code EPDM <sup>1</sup>	d	DN	L	Z	E	C1	C2	C3	C4	H1	H2	H3	PN	Weight (g)
BDRPBK1016S	16	15	14,5	51	49	40	27	59,5	59,5	25	58	71	16	1575
BDRPBK1020S	20	15	16	48	49	40	27	59,5	59,5	25	58	71	16	1575
BDRPBK1025S	25	20	19	54	60	40	27	59,5	59,5	31	65	71	16	1678
BDRPBK1032S	32	25	22	62	69	40	27	59,5	59,5	35	74,5	71	16	1725
BDRPBK1040S	40	32	26	69	80	41	29	80	98	41	82	71	16	1926
BDRPBK1050S	50	40	31	81	96	47	34	82,5	92,5	50	90	71	16	2255
BDRPBK1063S	63	50	39	94	116	47	34	98,5	108,5	62	102,5	71	16	2247
BDRPBK1075S	75	80	44	141	167	62	52	115	126	84	117,5	81	16	6169
BDRPBK1090S	90	80	51	140	167	62	52	115	126	84	117,5	81	16	6085
BDRPBK1110S	110	100	61	162	209	62	52	115	126	105	139,5	98	16	8853

1) FKM code / Codice FKM : BDRPBK1\*\*\*SV



NSF and WRAS certifications: only for valves with EPDM seals. Certifications and approvals are related to items declared on Official Listing or certificates. /  
 Certificazioni NSF e WRAS: valide solo per le valvole con guarnizioni EPDM. Le certificazioni si riferiscono ai prodotti dichiarati nelle Official Listing o sui certificati stessi.

All descriptions and illustrations in this publication are intended for guidance only and shall not constitute a 'sale by description'. All dimensions given are nominal, while changes can be done on the information, products and specifications from time to time for a variety of reasons, without prior notice. The information in this publication is provided 'as is' on the revision date stated on the sheet. Updates will not be issued automatically. This information is not intended to have any legal effect, whether by way of advice, representation or warranty (express or implied). We accept no liability whatsoever (to the extent permitted by law) if you place any reliance on this publication you must do so at your own risk. All rights reserved. Copyright in this publication belongs to Polypipe Italia and all such copyright may not be used, sold, copied or reproduced in whole or part in any manner in any media to any person without prior consent. **EFFAST** is a registered trademark."

Polypipe Italia  
 Loc. Pianmercato 5C-5D-5H, 16044 Cicagna (GE), Italy  
 Tel: +39 0185 92399 E-mail: [support@effast.com](mailto:support@effast.com)

[www.effast.com](http://www.effast.com)

**EFFAST**