

PVC-U Single union ball valves SX

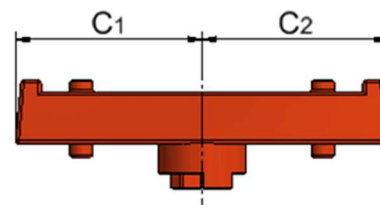
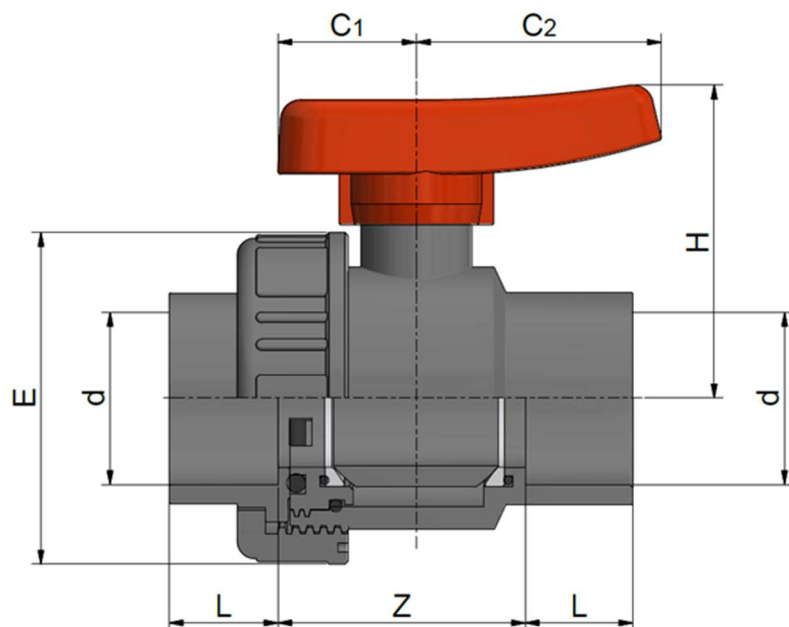
PVC-U Valvole a sfera monoghiera SX

METRIC SOLVENT WELDED SOCKETS

MANICOTTI METRICI PER INCOLLAGGIO

- Seals: EPDM or FKM / Guarnizioni: EPDM o FKM
- Ball seats: PTFE / Tenute della sfera: PTFE

Rev. Feb 2020



Handle d.75-110 / Maniglia d.75-110

Code EPDM	d	DN	L	Z	H	C1	C2	E	PN	Weight (g)
BDRSXD0160	16	15	14,5	44	50	22	42	49	16	140
BDRSXD0200	20	15	16	41	50	22	42	49	16	140
BDRSXD0250	25	20	19	48	58	24	49	60	16	200
BDRSXD0320	32	25	22	54	69	26	59	69	16	300
BDRSXD0400	40	32	26	62	76	32	65	80	16	450
BDRSXD0500	50	40	31	72	92	40	71	96	16	690
BDRSXD0630	63	50	39	86,5	104	45	79	116	16	1150
BDRSXD0750	75	80	44	132,5	145	84,5	84,5	167	16	3100
BDRSXD0900	90	80	51	125	145	84,5	84,5	167	16	3250
BDRSXD1100	110	100	61	158	170	102	102	209	16	5500



NSF and WRAS certifications: only for valves with EPDM seals. Certifications and approvals are related to items declared on Official Listing or certificates. /
 Certificazioni NSF e WRAS: valide solo per le valvole con guarnizioni EPDM. Le certificazioni si riferiscono ai prodotti dichiarati nelle Official Listing o sui certificati stessi.

All descriptions and illustrations in this publication are intended for guidance only and shall not constitute a 'sale by description'. All dimensions given are nominal, while changes can be done on the information, products and specifications from time to time for a variety of reasons, without prior notice. The information in this publication is provided 'as is' on the revision date stated on the sheet. Updates will not be issued automatically. This information is not intended to have any legal effect, whether by way of advice, representation or warranty (express or implied). We accept no liability whatsoever (to the extent permitted by law) if you place any reliance on this publication you must do so at your own risk. All rights reserved. Copyright in this publication belongs to Polypipe Italia and all such copyright may not be used, sold, copied or reproduced in whole or part in any manner in any media to any person without prior consent. **EFFAST** is a registered trademark."