

# PVC-U True union ball valves BK1

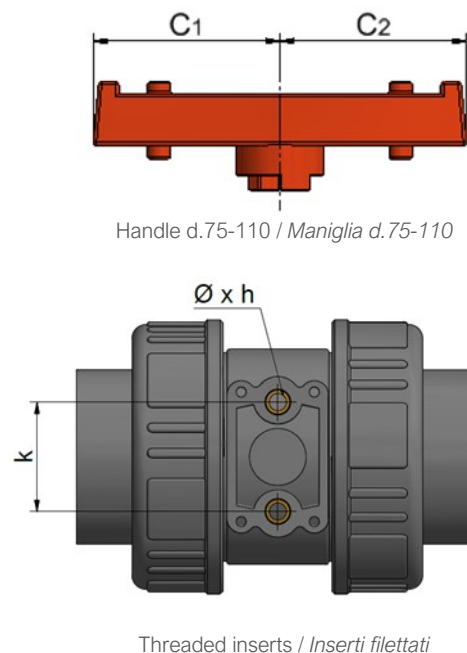
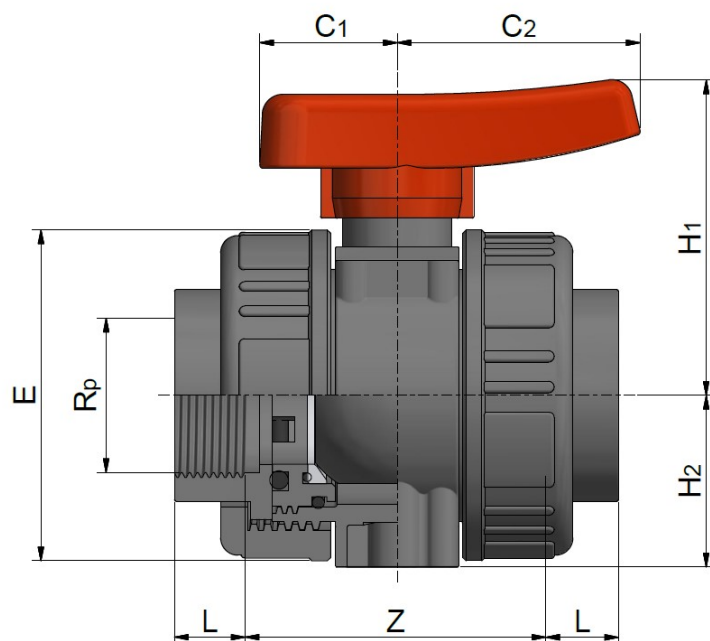
## PVC-U Valvole a sfera bighiera BK1

### BSPP THREADED SOCKETS

#### MANICOTTI FILETTATI BSPP

Rev. Feb 2021

- Thread according to ISO 228-1 / *Filettatura secondo ISO 228-1*
- Seals: EPDM or FKM / *Guarnizioni: EPDM o FKM*
- Ball seats: PTFE / *Tenute della sfera: PTFE*
- Threaded inserts (d.16-63): brass / *Inseriti filettati (d.16-63): ottone*



Code EPDM	Code FKM	R <sub>p</sub>	DN	L <sub>min</sub>	Z <sub>max</sub>	H1	H2	C1	C2	E	k	Ø x h	PN	Weight (g)
BERBK1E016A	BERBK1E016V	3/8"	15	11,4	57,2	50	25	22	42	49	18	M4x8	16	185
BERBK1E020B	BERBK1E020V	1/2"	15	15	50	50	25	22	42	49	18	M4x8	16	195
BERBK1E025C	BERBK1E025V	3/4"	20	16,3	59,4	58	31	24	49	60	21,5	M4x8	16	346
BERBK1E032D	BERBK1E032V	1"	25	19,5	67	69	35	26	59	69	28	M4x8	16	346
BERBK1E040E	BERBK1E040V	1"1/4	32	21,4	78,2	76	41	32	65	80	30	M5x10	16	550
BERBK1E050F	BERBK1E050V	1"1/2	40	21,4	87,2	92	50	40	71	96	38	M6x14	16	800
BERBK1E063G	BERBK1E063V	2"	50	25,7	98,6	104	62	45	79	116	45	M6x14	16	1270
BERBK1E075H	BERBK1E075V	2"1/2	65	30,2	168,6	145	84	84,5	84,5	167	-	-	16	3519
BERBK1E090I	BERBK1E090V	3"	80	33,3	146,4	145	84	84,5	84,5	167	-	-	16	3519
BERBK1E110L	BERBK1E110V	4"	100	39,3	205,4	170	105	102	102	209	-	-	16	6191



NSF and WRAS certifications: only for valves with EPDM seals. Certifications and approvals are related to items declared on Official Listing or certificates. /  
 Certificazioni NSF e WRAS: valide solo per le valvole con guarnizioni EPDM. Le certificazioni si riferiscono ai prodotti dichiarati nelle Official Listing o sui certificati stessi.

All descriptions and illustrations in this publication are intended for guidance only and shall not constitute a 'sale by description'. All dimensions given are nominal, while changes can be done on the information, products and specifications from time to time for a variety of reasons, without prior notice. The information in this publication is provided 'as is' on the revision date stated on the sheet. Updates will not be issued automatically. This information is not intended to have any legal effect, whether by way of advice, representation or warranty (express or implied). We accept no liability whatsoever (to the extent permitted by law) if you place any reliance on this publication you must do so at your own risk. All rights reserved. Copyright in this publication belongs to Polypipe Italia and all such copyright may not be used, sold, copied or reproduced in whole or part in any manner in any media to any person without prior consent. **EFFAST** is a registered trademark."