

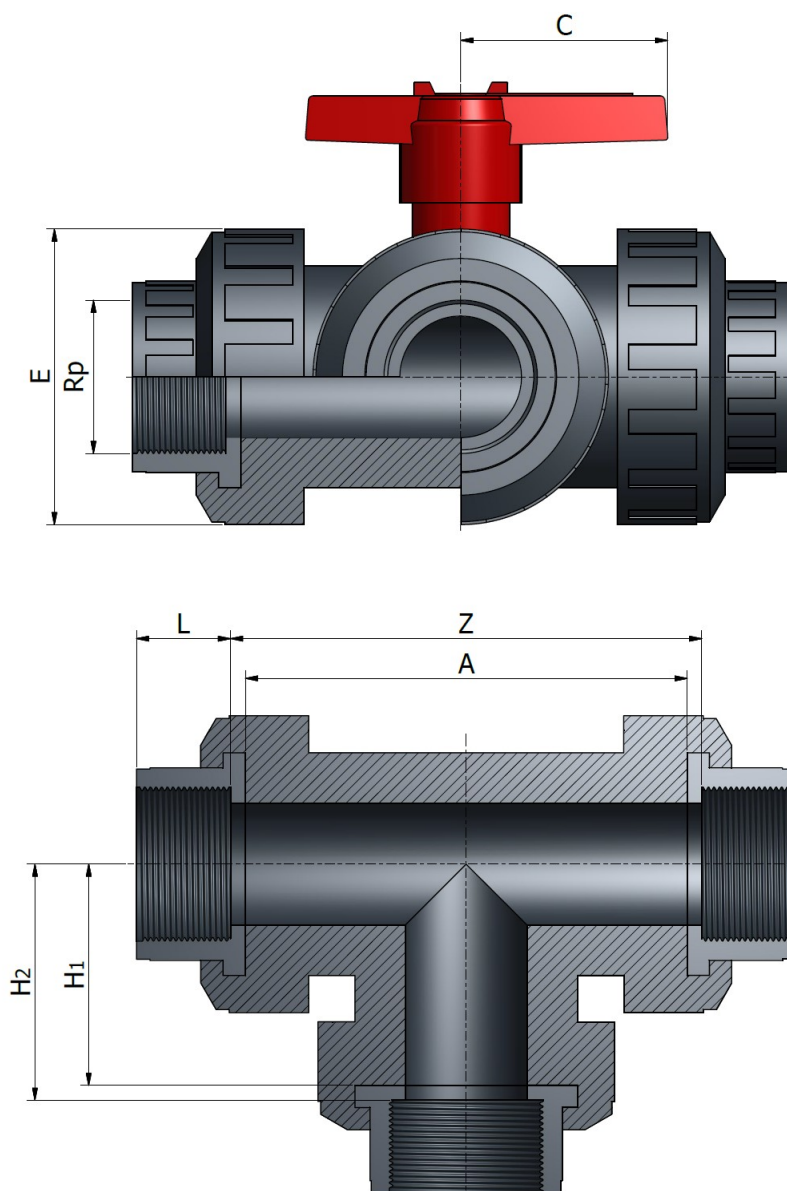
## PVC-U 3-way ball valves

### PVC-U Valvole a sfera a 3 vie

#### L-PORT - BSPP THREADED SOCKETS

#### SFERA A L - MANICOTTI FILETTATI BSPP

Rev. Feb 2020



Code	DN	Rp	L	Z	A	H1	H2	C	E	PN	Weight (g)
BERBTE025L	20	3/4"	20	126	120	60	63	51,5	70	10	923
BERBTE032L	25	1"	23	126	120	60	63	51,5	70	10	691
BERBTE050L	40	1"1/2	31,5	171	162	81	85,5	73	101	10	1839
BERBTDE63L	50	2"	38,5	192	181	90,5	96	85	124,5	10	1520

All descriptions and illustrations in this publication are intended for guidance only and shall not constitute a 'sale by description'. All dimensions given are nominal, while changes can be done on the information, products and specifications from time to time for a variety of reasons, without prior notice. The information in this publication is provided 'as is' on the revision date stated on the sheet. Updates will not be issued automatically. This information is not intended to have any legal effect, whether by way of advice, representation or warranty (express or implied). We accept no liability whatsoever (to the extent permitted by law) if you place any reliance on this publication you must do so at your own risk. All rights reserved. Copyright in this publication belongs to Polypipe Italia and all such copyright may not be used, sold, copied or reproduced in whole or part in any manner in any media to any person without prior consent. **EFFAST** is a registered trademark."