

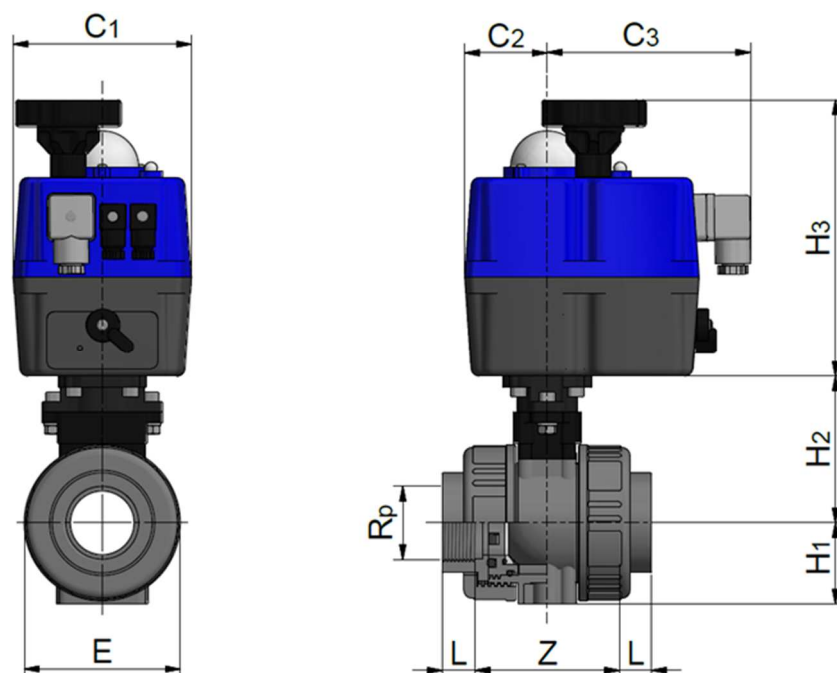
PVC-U Actuated industrial ball valves BK1

PVC-U Valvole a sfera industria BK1 attuate

ELECTRICALLY ACTUATED 12 V AC/DC – BSP TRHEADED SOCKETS
COMANDO ELETTRICO 12 V AC/DC – MANICOTTI FILETTATI BSP

Rev. Feb 2020

- Seals: EPDM or FKM / *Guarnizioni: EPDM o FKM*
- Ball seats: PTFE / *Tenute della sfera: PTFE*



Code EPDM ¹	Rp	DN	L min	Z max	E	C1	C2	C3	H1	H2	H3	PN	Weight (g)
BEREBK1JA0160	3/8"	15	11,4	57,2	49	110	51	130	25	58	169	16	2465
BEREBK1JA0200	1/2"	15	15	50	49	110	51	130	25	58	169	16	2465
BEREBK1JA0250	3/4"	20	16,3	59,4	60	110	51	130	31	65	169	16	2568
BEREBK1JA0320	1"	25	19,5	67	69	110	51	130	35	74,5	169	16	2615
BEREBK1JA0400	1"1/4	32	21,4	78,2	80	110	51	130	41	82	169	16	2816
BEREBK1JA0500	1"1/2	40	21,4	87,2	96	110	51	130	50	90	169	16	3145
BEREBK1JA0630	2"	50	25,7	98,6	116	110	51	130	62	102,5	169	16	3137
BEREBK1JA0750	2"1/2	80	30,2	168,6	167	110	51	130	84	117,5	196	16	6389
BEREBK1JA0900	3"	80	33,3	146,4	167	110	51	130	84	117,5	196	16	6305
BEREBK1JA1100	4"	100	39,3	205,4	209	110	51	130	105	139,5	196	16	9073

1) FKM code / *Codice FKM* : BEREBK1JA***V



NSF and WRAS certifications: only for valves with EPDM seals. Certifications and approvals are related to items declared on Official Listing or certificates. /
 Certificazioni NSF e WRAS: valide solo per le valvole con guarnizioni EPDM. Le certificazioni si riferiscono ai prodotti dichiarati nelle Official Listing o sui certificati stessi.

All descriptions and illustrations in this publication are intended for guidance only and shall not constitute a 'sale by description'. All dimensions given are nominal, while changes can be done on the information, products and specifications from time to time for a variety of reasons, without prior notice. The information in this publication is provided 'as is' on the revision date stated on the sheet. Updates will not be issued automatically. This information is not intended to have any legal effect, whether by way of advice, representation or warranty (express or implied). We accept no liability whatsoever (to the extent permitted by law) if you place any reliance on this publication you must do so at your own risk. All rights reserved. Copyright in this publication belongs to Polypipe Italia and all such copyright may not be used, sold, copied or reproduced in whole or part in any manner in any media to any person without prior consent. **EFFAST** is a registered trademark."

Polypipe Italia
 Loc. Pianmercato 5C-5D-5H, 16044 Cicagna (GE), Italy
 Tel: +39 0185 92399 E-mail: support@effast.com

www.effast.com

EFFAST