

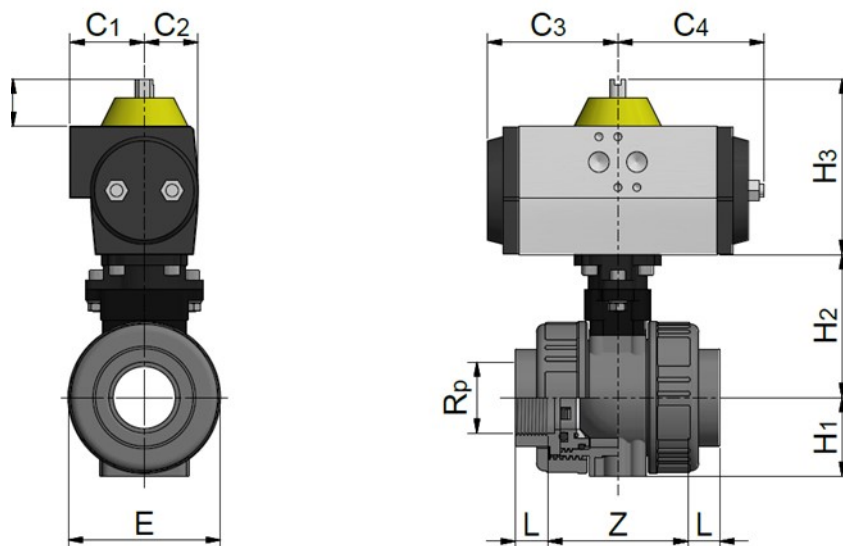
# PVC-U Actuated industrial ball valves BK1

## PVC-U Valvole a sfera industria BK1 attuate

**PNEUMATICALLY ACTUATED SPRING RETURN - BSPP TRHEADED SOCKETS**  
**COMANDO PNEUMATICO SEMPLICE EFFETTO - MANICOTTI FILETTATI BSPP**

Rev. Mar 2021

- Standard version: "fail-to-close" / *Versione standard: normalmente chiusa*
- Seals: EPDM or FKM / *Guarnizioni: EPDM o FKM*
- Ball seats: PTFE / *Tenute della sfera: PTFE*



Code EPDM <sup>1</sup>	Rp	DN	L min	Z max	E	C1	C2	C3	C4	H1	H2	H3	PN	Weight (g)
BERPBK1016S	3/8"	15	11,4	57,2	49	40	27	59,5	59,5	25	58	71	16	1575
BERPBK1020S	1/2"	15	15	50	49	40	27	59,5	59,5	25	58	71	16	1575
BERPBK1025S	3/4"	20	16,3	59,4	60	40	27	59,5	59,5	31	65	71	16	1678
BERPBK1032S	1"	25	19,5	67	69	40	27	59,5	59,5	35	74,5	71	16	1725
BERPBK1040S	1 1/4"	32	21,4	78,2	80	41	29	80	98	41	82	71	16	1926
BERPBK1050S	1 1/2"	40	21,4	87,2	96	47	34	82,5	92,5	50	90	71	16	2255
BERPBK1063S	2"	50	25,7	98,6	116	47	34	98,5	108,5	62	102,5	71	16	2247
BERPBK1075S	2 1/2"	65	30,2	168,6	167	62	52	115	126	84	117,5	81	16	6169
BERPBK1090S	3"	80	33,3	146,4	167	62	52	115	126	84	117,5	81	16	6085
BERPBK1110S	4"	100	39,3	205,4	209	62	52	115	126	105	139,5	98	16	8853

1) FKM code / Codice FKM : BERPBK1\*\*\*SV



NSF and WRAS certifications: only for valves with EPDM seals. Certifications and approvals are related to items declared on Official Listing or certificates. /  
 Certificazioni NSF e WRAS: valide solo per le valvole con guarnizioni EPDM. Le certificazioni si riferiscono ai prodotti dichiarati nelle Official Listing o sui certificati stessi.

All descriptions and illustrations in this publication are intended for guidance only and shall not constitute a 'sale by description'. All dimensions given are nominal, while changes can be done on the information, products and specifications from time to time for a variety of reasons, without prior notice. The information in this publication is provided 'as is' on the revision date stated on the sheet. Updates will not be issued automatically. This information is not intended to have any legal effect, whether by way of advice, representation or warranty (express or implied). We accept no liability whatsoever (to the extent permitted by law) if you place any reliance on this publication you must do so at your own risk. All rights reserved. Copyright in this publication belongs to Polypipe Italia and all such copyright may not be used, sold, copied or reproduced in whole or part in any manner in any media to any person without prior consent. **EFFAST** is a registered trademark."