

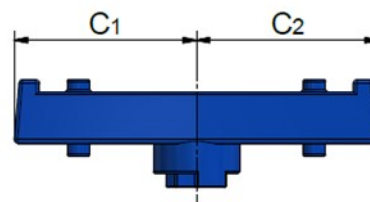
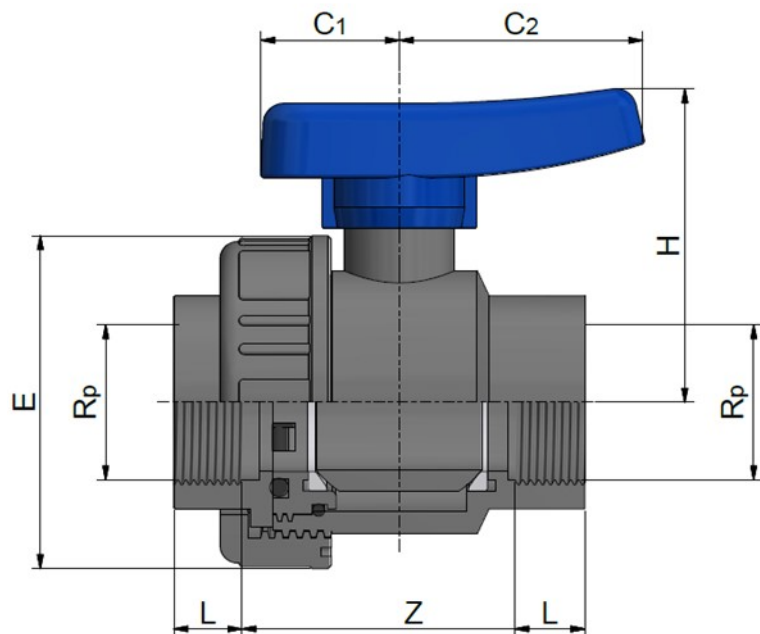
# PVC-U Single union ball valves SV

## PVC-U Valvole a sfera monoghiera SV

### BSPP THREADED SOCKETS MANICOTTI FILETTATI BSPP

Rev. Mar 2021

- Thread according to ISO 228-1 / Filettatura secondo ISO 228-1
- Seals: EPDM / Guarnizioni: EPDM
- Ball seats: PE / Tenute della sfera: PE



Handle d.75-110 / Maniglia d.75-110

Code EPDM	Rp	DN	L min	Z max	H	C1	C2	E	PN	Weight (g)
BERSVE016A	3/8"	15	11,4	57,2	50	22	42	49	16	140
BERSVE020B	1/2"	15	15	50	50	22	42	49	16	140
BERSVE025C	3/4"	20	16,3	59,4	58	24	49	60	16	200
BERSVE032D	1"	25	19,5	67	69	26	59	69	16	300
BERSVE040E	1"1/4	32	21,4	78,2	76	32	65	80	16	450
BERSVE050F	1"1/2	40	21,4	87,2	92	40	71	96	16	690
BERSVE063G	2"	50	25,7	98,6	104	45	79	116	16	1150
BERSVE075H	2"1/2	65	30,2	168,6	145	84,5	84,5	167	16	3050
BERSVE090I	3"	80	33,3	146,4	145	84,5	84,5	167	16	3200
BERSVE110L	4"	100	39,3	205,4	170	102	102	209	16	5400



NSF and WRAS certifications: only for valves with EPDM seals. Certifications and approvals are related to items declared on Official Listing or certificates. /  
Certificazioni NSF e WRAS: valide solo per le valvole con guarnizioni EPDM. Le certificazioni si riferiscono ai prodotti dichiarati nelle Official Listing o sui certificati stessi.

All descriptions and illustrations in this publication are intended for guidance only and shall not constitute a 'sale by description'. All dimensions given are nominal, while changes can be done on the information, products and specifications from time to time for a variety of reasons, without prior notice. The information in this publication is provided 'as is' on the revision date stated on the sheet. Updates will not be issued automatically. This information is not intended to have any legal effect, whether by way of advice, representation or warranty (express or implied). We accept no liability whatsoever (to the extent permitted by law) if you place any reliance on this publication you must do so at your own risk. All rights reserved. Copyright in this publication belongs to Polypipe Italia and all such copyright may not be used, sold, copied or reproduced in whole or part in any manner in any media to any person without prior consent. **EFFAST** is a registered trademark."