

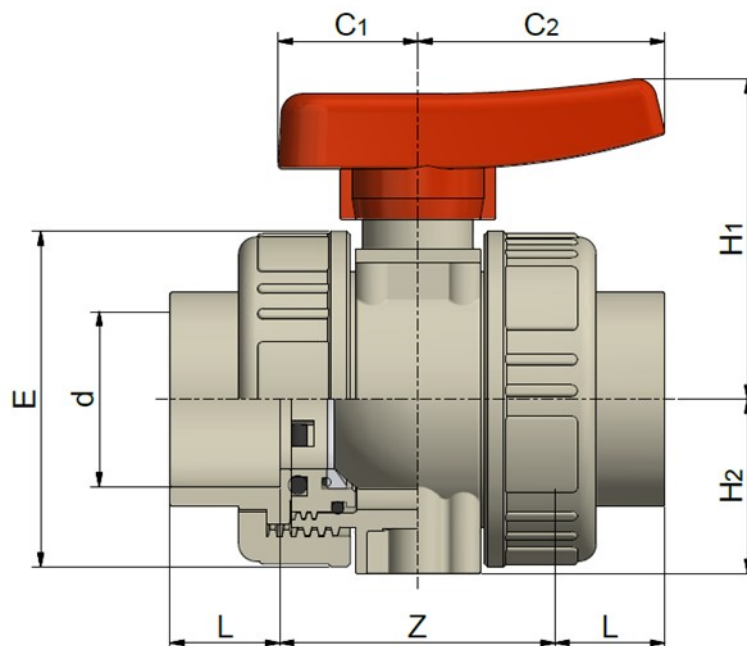
PP-H Double union ball valves BK1

PP-H Valvole a sfera radiali BK1

METRIC SOCKET FUSION MANICOTTI METRICI PER SALDATURA A BICCHIERE

Rev. Nov 2019

- Seals: EPDM or FKM / *Guarnizioni: EPDM o FKM*
- Ball seats: PTFE / *Tenute della sfera: PTFE*



Code EPDM	Code FKM	d	DN	L	Z	H1	H2	E	C1	C2	PN	Weight (g)
BHPBK1H0200	BHPBK1H020V	20	15	16	48	50	25	49	22	42	10	100
BHPBK1H0250	BHPBK1H025V	25	20	18	55	58	31	59	24	49	10	150
BHPBK1H0320	BHPBK1H032V	32	25	21	63	69	35	68	26	59	10	210
BHPBK1H0400	BHPBK1H040V	40	32	22	75	76	41	79	32	65	10	357
BHPBK1H0500	BHPBK1H050V	50	40	27	87	92	50	95	40	71	10	490
BHPBK1H0630	BHPBK1H063V	63	50	30	106	104	62	115	45	79	10	820



NSF and WRAS certifications: only for valves with EPDM seals. Certifications and approvals are related to items declared on Official Listing or certificates. /
 Certificazioni NSF e WRAS: valide solo per le valvole con guarnizioni EPDM. Le certificazioni si riferiscono ai prodotti dichiarati nelle Official Listing o sui certificati stessi.

All descriptions and illustrations in this publication are intended for guidance only and shall not constitute a 'sale by description'. All dimensions given are nominal, while changes can be done on the information, products and specifications from time to time for a variety of reasons, without prior notice. The information in this publication is provided 'as is' on the revision date stated on the sheet. Updates will not be issued automatically. This information is not intended to have any legal effect, whether by way of advice, representation or warranty (express or implied). We accept no liability whatsoever (to the extent permitted by law) if you place any reliance on this publication you must do so at your own risk. All rights reserved. Copyright in this publication belongs to Polypipe Italia and all such copyright may not be used, sold, copied or reproduced in whole or part in any manner in any media to any person without prior consent. **EFFAST** is a registered trademark."