

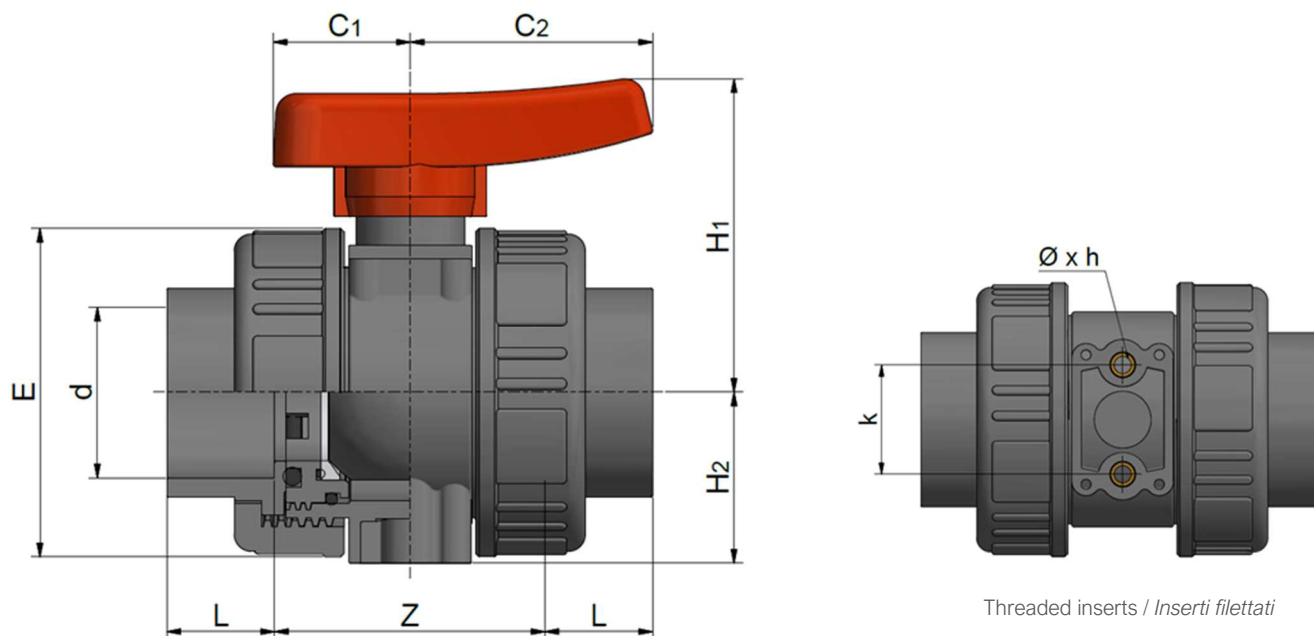
PVC-U Double union ball valves BK1

PVC-U Valvole a sfera radiali BK1

ASTM SOLVENT WELDED SOCKETS MANICOTTI ASTM PER INCOLLAGGIO

Rev. Feb 2020

- With EPDM or FKM flat gaskets / Con guarnizioni piane in EPDM o in FKM
- Seals: EPDM or FKM / Guarnizioni: EPDM o FKM
- Ball seats: PTFE / Tenute della sfera: PTFE



Code EPDM	Code FKM	d	DN	L	Z	H1	H2	C1	C2	E	k	Ø x h	PN	Weight (g)
BSRBK1S0200	BSRBK1S020V	1/2"	15	23	48	50	25	22	42	49	18	M4 x 8	16	175
BSRBK1S0250	BSRBK1S025V	3/4"	20	26	60	58	31	24	49	60	21,5	M4 x 8	16	295
BSRBK1S0320	BSRBK1S032V	1"	25	29	63	69	35	26	59	69	28	M4 x 8	16	340
BSRBK1S0400	BSRBK1S040V	1"1/4	32	32	68	76	41	32	65	80	30	M5 x 10	16	548
BSRBK1S0500	BSRBK1S050V	1"1/2	40	36,5	80	92	50	40	71	96	38	M6 x 14	16	786
BSRBK1S0630	BSRBK1S063V	2"	50	38	94,5	104	62	45	79	116	45	M6 x 14	16	1282



NSF and WRAS certifications: only for valves with EPDM seals. Certifications and approvals are related to items declared on Official Listing or certificates. /
Certificazioni NSF e WRAS: valide solo per le valvole con guarnizioni EPDM. Le certificazioni si riferiscono ai prodotti dichiarati nelle Official Listing o sui certificati stessi.

All descriptions and illustrations in this publication are intended for guidance only and shall not constitute a 'sale by description'. All dimensions given are nominal, while changes can be done on the information, products and specifications from time to time for a variety of reasons, without prior notice. The information in this publication is provided 'as is' on the revision date stated on the sheet. Updates will not be issued automatically. This information is not intended to have any legal effect, whether by way of advice, representation or warranty (express or implied). We accept no liability whatsoever (to the extent permitted by law) if you place any reliance on this publication you must do so at your own risk. All rights reserved. Copyright in this publication belongs to Polypipe Italia and all such copyright may not be used, sold, copied or reproduced in whole or part in any manner in any media to any person without prior consent. **EFFAST** is a registered trademark."