

ABS Double union spring check valves CV

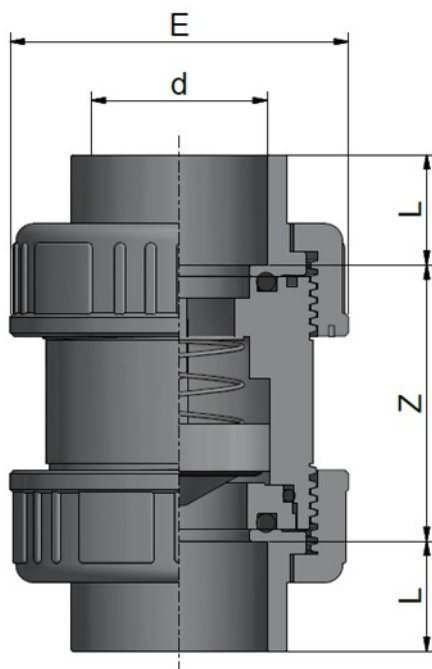
ABS Valvole di non ritorno radiali a molla CV

SOLVENT WELDED SOCKETS

MANICOTTI BS PER INCOLLAGGIO

Rev. Jun 2019

- Spring: stainless steel / Molla: acciaio INOX
- Seals: EPDM or FKM / Guarnizioni: EPDM o FKM



Code EPDM	Code FKM	d	DN	L	Z	E	PN	Weight (g)
CAACVA0200	CAACVA020V	1/2"	15	16	48	49	15	110
CAACVA0250	CAACVA025V	3/4"	20	19	54	60	15	180
CAACVA0320	CAACVA032V	1"	25	22	62	69	15	250
CAACVA0400	CAACVA040V	1"1/4	32	26	69	80	15	380
CAACVA0500	CAACVA050V	1"1/2	40	31	81	96	15	600
CAACVA0630	CAACVA063V	2"	50	39	94	116	15	1000

All descriptions and illustrations in this publication are intended for guidance only and shall not constitute a 'sale by description'. All dimensions given are nominal, while changes can be done on the information, products and specifications from time to time for a variety of reasons, without prior notice. The information in this publication is provided 'as is' on the revision date stated on the sheet. Updates will not be issued automatically. This information is not intended to have any legal effect, whether by way of advice, representation or warranty (express or implied). We accept no liability whatsoever (to the extent permitted by law) if you place any reliance on this publication you must do so at your own risk. All rights reserved. Copyright in this publication belongs to Polypipe Italia and all such copyright may not be used, sold, copied or reproduced in whole or part in any manner in any media to any person without prior consent. **EFFAST** is a registered trademark."