

PVC-U Air release valves AV

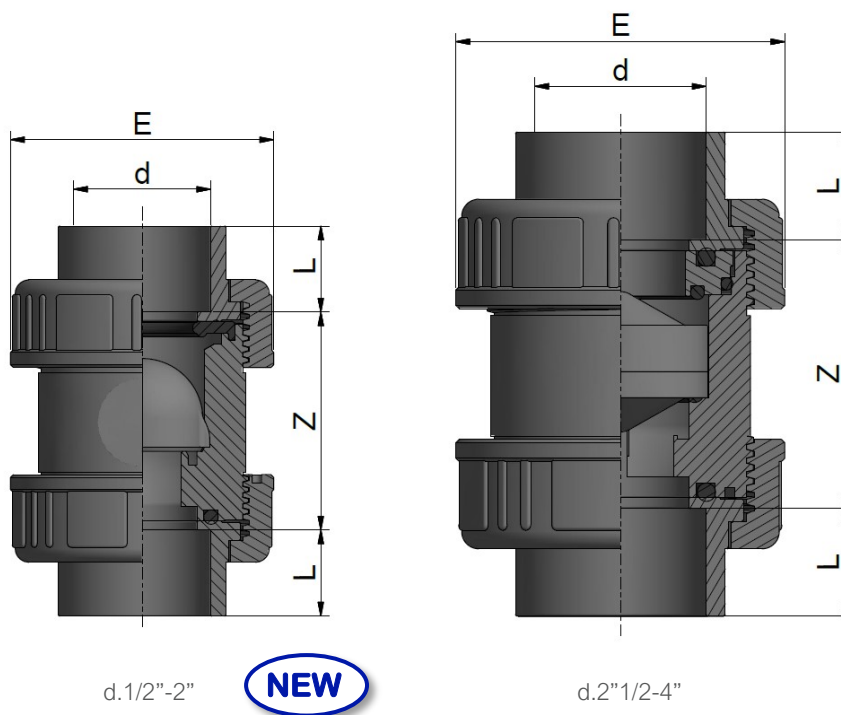
PVC-U Valvole di sfogo aria AV

BS SOLVENT WELDED SOCKETS

MANICOTTI BS PER INCOLLAGGIO

- Seals: EPDM/ Guarnizioni: EPDM

Rev. Jan 2021



d.1 1/2"-2"

NEW

d.2 1/2"-4"

Code EPDM	d	DN	L	Z	E	PN	Weight (g)
CARAVA0160	3/8"	15	14,5	51	49	16	103
CARAVA0200	1/2"	15	16	48	49	16	103
CARAVA0250	3/4"	20	19	54	60	16	169
CARAVA0320	1"	25	22	62	69	16	254
CARAVA0400	1 1/4"	32	26	69	80	16	378
CARAVA0500	1 1/2"	40	31	81	96	16	595
CARAVA0630	2"	50	39	94	116	16	1025
CARAVA0750	2 1/2"	80	44	141	167	16	2800
CARAVA0900	3"	80	51	140	167	16	3000
CARAVA1100	4"	100	61	157	179	10	5000



All descriptions and illustrations in this publication are intended for guidance only and shall not constitute a 'sale by description'. All dimensions given are nominal, while changes can be done on the information, products and specifications from time to time for a variety of reasons, without prior notice. The information in this publication is provided 'as is' on the revision date stated on the sheet. Updates will not be issued automatically. This information is not intended to have any legal effect, whether by way of advice, representation or warranty (express or implied). We accept no liability whatsoever (to the extent permitted by law) if you place any reliance on this publication you must do so at your own risk. All rights reserved. Copyright in this publication belongs to Polypipe Italia and all such copyright may not be used, sold, copied or reproduced in whole or part in any manner in any media to any person without prior consent. **EFFAST** is a registered trademark.