

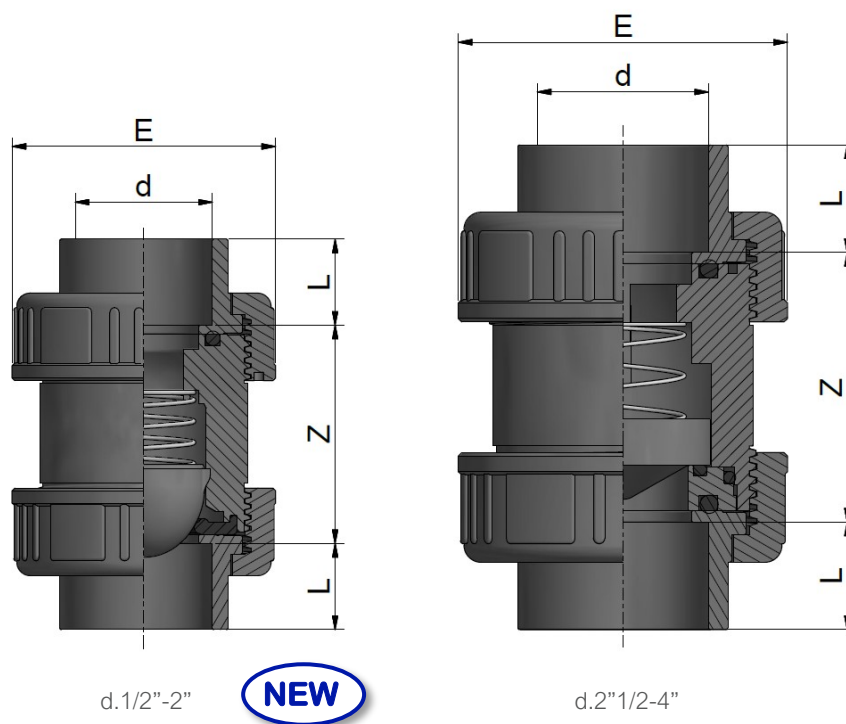
PVC-U True union spring check valves CV

PVC-U Valvole di ritegno bighiera a molla CV

BS SOLVENT WELDED SOCKETS MANICOTTI BS PER INCOLLAGGIO

Rev. Aug 2021

- Spring: stainless steel / Molla: acciaio INOX
- Seals: EPDM or FKM / Guarnizioni: EPDM o FKM



Code EPDM	Code FKM	d	DN	L	Z	E	PN	Weight (g)
CARCVA0200	CARCVA020V	1/2"	15	16	48	49	16	104
CARCVA0250	CARCVA025V	3/4"	20	19	54	60	16	170
CARCVA0320	CARCVA032V	1"	25	22	62	69	16	251
CARCVA0400	CARCVA040V	1"1/4	32	26	69	80	16	378
CARCVA0500	CARCVA050V	1"1/2	40	31	81	96	16	593
CARCVA0630	CARCVA063V	2"	50	39	94	116	16	1025
CARCVA0750	CARCVA075V	2"1/2	65	44	141	167	16	2800
CARCVA0900	CARCVA090V	3"	80	51	140	167	16	3000
CARCVA1100	CARCVA110V	4"	80	61	157	179	10	5000



All descriptions and illustrations in this publication are intended for guidance only and shall not constitute a 'sale by description'. All dimensions given are nominal, while changes can be done on the information, products and specifications from time to time for a variety of reasons, without prior notice. The information in this publication is provided 'as is' on the revision date stated on the sheet. Updates will not be issued automatically. This information is not intended to have any legal effect, whether by way of advice, representation or warranty (express or implied). We accept no liability whatsoever (to the extent permitted by law) if you place any reliance on this publication you must do so at your own risk. All rights reserved. Copyright in this publication belongs to Polypipe Italia and all such copyright may not be used, sold, copied or reproduced in whole or part in any manner in any media to any person without prior consent. **EFFAST** is a registered trademark.