

PVC-U Double union spring check valves CV

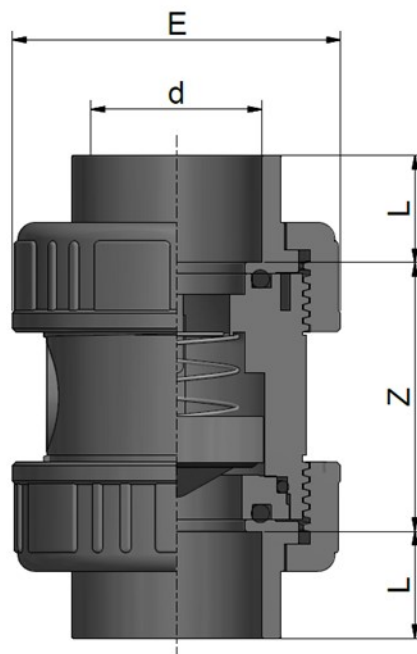
PVC-U Valvole di non ritorno radiali a molla CV

BS SOLVENT WELDED SOCKETS

MANICOTTI BS PER INCOLLAGGIO

Rev. Feb 2020

- Spring: PTFE coated stainless steel / *Molla: acciaio inox rivestito PTFE*
- Seals: EPDM or FKM / *Guarnizioni: EPDM o FKM*



Code EPDM	Code FKM	d	DN	L	Z	E	PN	Weight (g)
CARCVAT0200	CARCVAT020V	1/2"	15	16	48	49	16	110
CARCVAT0250	CARCVAT025V	3/4"	20	19	54	60	16	180
CARCVAT0320	CARCVAT032V	1"	25	22	62	69	16	250
CARCVAT0400	CARCVAT040V	1"1/4	32	26	69	80	16	380
CARCVAT0500	CARCVAT050V	1"1/2	40	31	81	96	16	600
CARCVAT0630	CARCVAT063V	2"	50	39	94	116	16	1000
CARCVAT0750	CARCVAT075V	2"1/2	80	44	141	167	16	2800
CARCVAT0900	CARCVAT090V	3"	80	51	140	167	16	3000
CARCVAT1100	CARCVAT110V	4"	100	61	157	179	10	5000



NSF and WRAS certifications: only for valves with EPDM seals. Certifications and approvals are related to items declared on Official Listing or certificates. /
 Certificazioni NSF e WRAS: valide solo per le valvole con guarnizioni EPDM. Le certificazioni si riferiscono ai prodotti dichiarati nelle Official Listing o sui certificati stessi.

All descriptions and illustrations in this publication are intended for guidance only and shall not constitute a 'sale by description'. All dimensions given are nominal, while changes can be done on the information, products and specifications from time to time for a variety of reasons, without prior notice. The information in this publication is provided 'as is' on the revision date stated on the sheet. Updates will not be issued automatically. This information is not intended to have any legal effect, whether by way of advice, representation or warranty (express or implied). We accept no liability whatsoever (to the extent permitted by law) if you place any reliance on this publication you must do so at your own risk. All rights reserved. Copyright in this publication belongs to Polypipe Italia and all such copyright may not be used, sold, copied or reproduced in whole or part in any manner in any media to any person without prior consent. **EFFAST** is a registered trademark."