

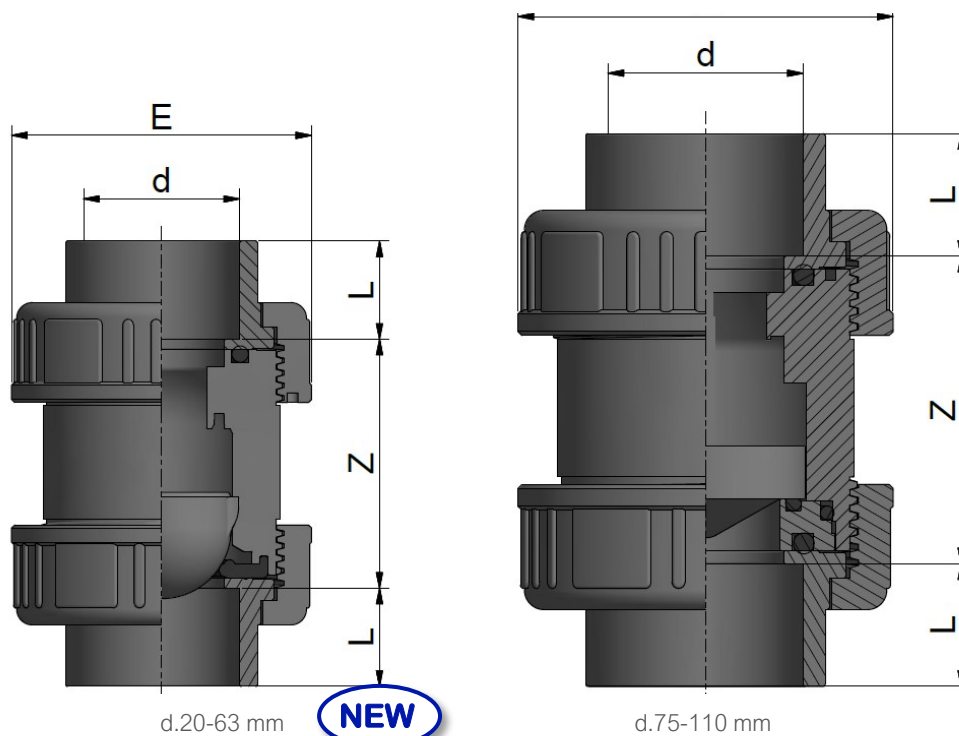
## PVC-U Foot valves HV

### PVC-U Valvole di fondo HV

#### BS SOLVENT WELDED SOCKETS MANICOTTI BS PER INCOLLAGGIO

Rev. Mar 2021

- Seals: EPDM/ Guarnizioni: EPDM



Code EPDM	Code FKM	d	DN	L	Z	E	PN	Weight (g)
CARHVA0200	CARHVA020V	1/2"	15	16	48	49	16	110
CARHVA0250	CARHVA025V	3/4"	20	19	54	60	16	180
CARHVA0320	CARHVA032V	1"	25	22	62	69	16	250
CARHVA0400	CARHVA040V	1"1/4	32	26	69	80	16	380
CARHVA0500	CARHVA050V	1"1/2	40	31	81	96	16	600
CARHVA0630	CARHVA063V	2"	50	38	96	116	16	1000
CARHVA0750	CARHVA075V	2"1/2	80	44	141	167	16	2800
CARHVA0900	CARHVA090V	3"	80	51	141	167	16	3000
CARHVA1100	CARHVA110V	4"	100	61	157	179	10	5000



All descriptions and illustrations in this publication are intended for guidance only and shall not constitute a 'sale by description'. All dimensions given are nominal, while changes can be done on the information, products and specifications from time to time for a variety of reasons, without prior notice. The information in this publication is provided 'as is' on the revision date stated on the sheet. Updates will not be issued automatically. This information is not intended to have any legal effect, whether by way of advice, representation or warranty (express or implied). We accept no liability whatsoever (to the extent permitted by law) if you place any reliance on this publication you must do so at your own risk. All rights reserved. Copyright in this publication belongs to Polypipe Italia and all such copyright may not be used, sold, copied or reproduced in whole or part in any manner in any media to any person without prior consent. **EFFAST** is a registered trademark.