

# PVC-U True union spring check valves CV

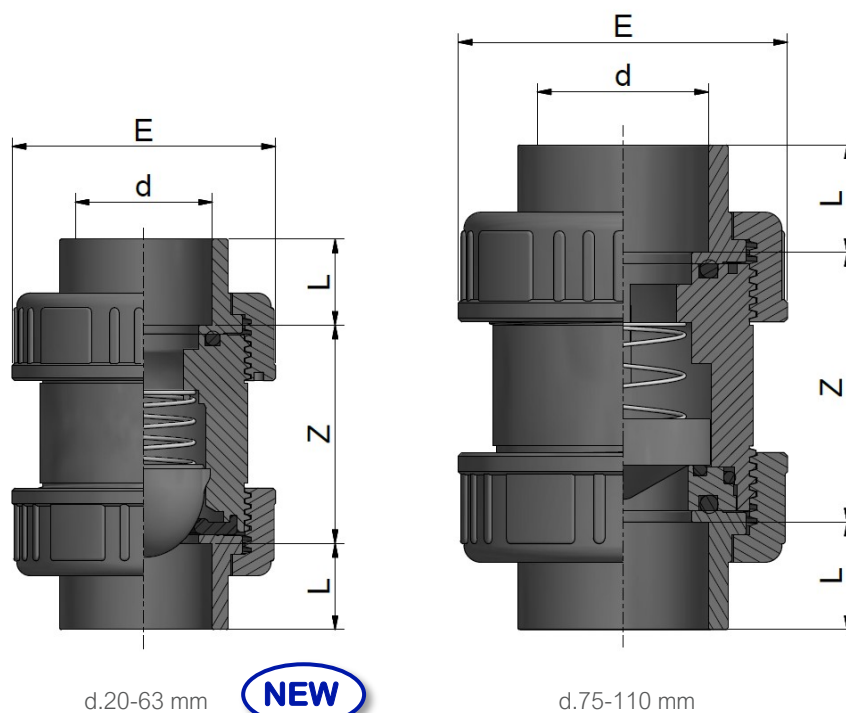
## PVC-U Valvole di ritegno bighiera a molla CV

### METRIC SOLVENT WELDED SOCKETS

### MANICOTTI METRICI PER INCOLLAGGIO

Rev. Aug 2021

- Spring: PTFE coated stainless steel / Molla: acciaio inox rivestito PTFE
- Seals: EPDM or FKM / Guarnizioni: EPDM o FKM



Code EPDM	Code FKM	d	DN	L	Z	E	PN	Weight (g)
CDRCVDT0160	CDRCVDT016V	16	15	14,5	51	49	16	104
CDRCVDT0200	CDRCVDT020V	20	15	16	48	49	16	104
CDRCVDT0250	CDRCVDT025V	25	20	19	54	60	16	170
CDRCVDT0320	CDRCVDT032V	32	25	22	62	69	16	251
CDRCVDT0400	CDRCVDT040V	40	32	26	69	80	16	378
CDRCVDT0500	CDRCVDT050V	50	40	31	81	96	16	593
CDRCVDT0630	CDRCVDT063V	63	50	39	94	116	16	1025
CDRCVDT0750	CDRCVDT075V	75	65	44	141	167	16	2800
CDRCVDT0900	CDRCVDT090V	90	80	51	140	167	16	3000
CDRCVDT1100	CDRCVDT110V	110	80	61	157	179	10	5000



All descriptions and illustrations in this publication are intended for guidance only and shall not constitute a 'sale by description'. All dimensions given are nominal, while changes can be done on the information, products and specifications from time to time for a variety of reasons, without prior notice. The information in this publication is provided 'as is' on the revision date stated on the sheet. Updates will not be issued automatically. This information is not intended to have any legal effect, whether by way of advice, representation or warranty (express or implied). We accept no liability whatsoever (to the extent permitted by law) if you place any reliance on this publication you must do so at your own risk. All rights reserved. Copyright in this publication belongs to Polypipe Italia and all such copyright may not be used, sold, copied or reproduced in whole or part in any manner in any media to any person without prior consent. **EFFAST** is a registered trademark.