

# PVC-U Double union spring check valves CV

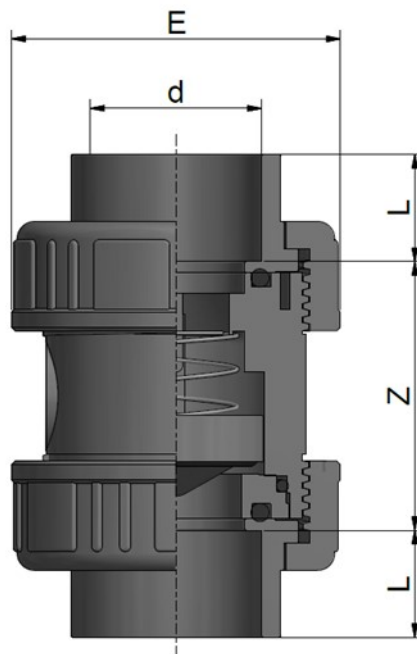
## PVC-U Valvole di non ritorno radiali a molla CV

### METRIC SOLVENT WELDED SOCKETS

### MANICOTTI METRICI PER INCOLLAGGIO

Rev. Feb 2020

- Spring: stainless steel / Molla: acciaio INOX
- Seals: EPDM or FKM / Guarnizioni: EPDM o FKM



Code EPDM	Code FKM	d	DN	L	Z	E	PN	Weight (g)
CDRCVD0200	CDRCVD020V	20	15	16	48	49	16	110
CDRCVD0250	CDRCVD025V	25	20	19	54	60	16	180
CDRCVD0320	CDRCVD032V	32	25	22	62	69	16	250
CDRCVD0400	CDRCVD040V	40	32	26	69	80	16	380
CDRCVD0500	CDRCVD050V	50	40	31	81	96	16	600
CDRCVD0630	CDRCVD063V	63	50	39	94	116	16	1000
CDRCVD0750	CDRCVD075V	75	80	44	141	167	16	2800
CDRCVD0900	CDRCVD090V	90	80	51	140	167	16	3000
CDRCVD1100	CDRCVD110V	110	100	61	157	179	10	5000



NSF and WRAS certifications: only for valves with EPDM seals. Certifications and approvals are related to items declared on Official Listing or certificates. /  
 Certificazioni NSF e WRAS: valide solo per le valvole con guarnizioni EPDM. Le certificazioni si riferiscono ai prodotti dichiarati nelle Official Listing o sui certificati stessi.

All descriptions and illustrations in this publication are intended for guidance only and shall not constitute a 'sale by description'. All dimensions given are nominal, while changes can be done on the information, products and specifications from time to time for a variety of reasons, without prior notice. The information in this publication is provided 'as is' on the revision date stated on the sheet. Updates will not be issued automatically. This information is not intended to have any legal effect, whether by way of advice, representation or warranty (express or implied). We accept no liability whatsoever (to the extent permitted by law) if you place any reliance on this publication you must do so at your own risk. All rights reserved. Copyright in this publication belongs to Polypipe Italia and all such copyright may not be used, sold, copied or reproduced in whole or part in any manner in any media to any person without prior consent. **EFFAST** is a registered trademark."