

PVC-U True union spring check valves CV

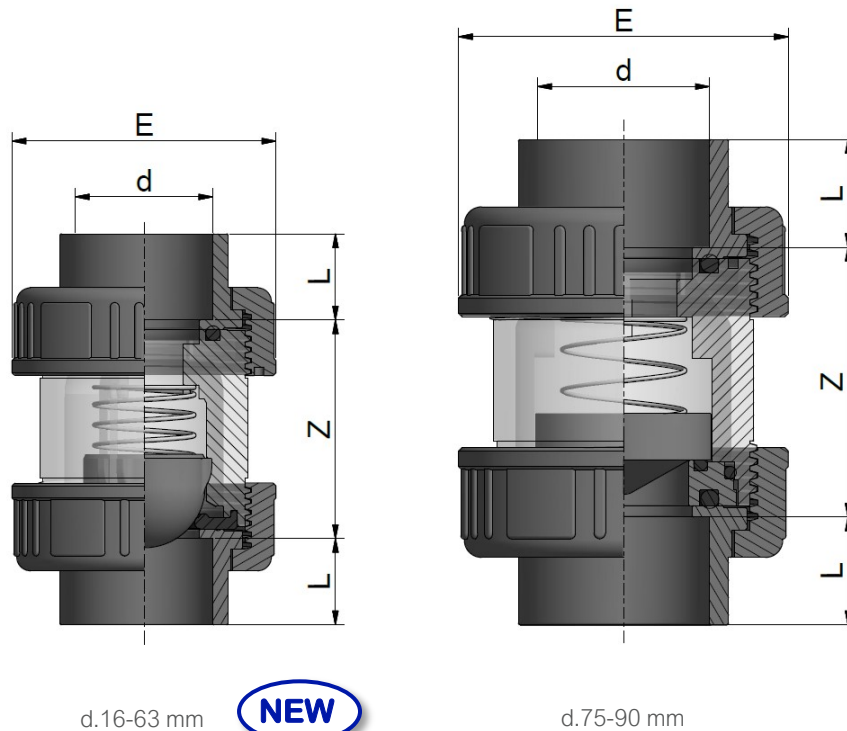
PVC-U Valvole di ritegno bighiera a molla CV

METRIC SOLVENT WELDED SOCKETS

MANICOTTI METRICI PER INCOLLAGGIO

Rev. Mar 2021

- Body: transparent PVC-U / Corpo: PVC-U trasparente
- Spring: stainless steel / Molla: acciaio INOX
- Seals: EPDM / Guarnizioni: EPDM



Code EPDM	d	DN	L	Z	E	PN	Weight (g)
CDRCVT0160	16	15	14,5	51	49	16	104
CDRCVT0200	20	15	16	48	49	16	104
CDRCVT0250	25	20	19	54	60	16	170
CDRCVT0320	32	25	22	62	69	16	251
CDRCVT0400	40	32	26	69	80	16	378
CDRCVT0500	50	40	31	81	96	16	593
CDRCVT0630	63	50	39	94	116	16	1025
CDRCVT0750	75	65	44	141	167	16	2800
CDRCVT0900	90	80	51	140	167	16	3000



All descriptions and illustrations in this publication are intended for guidance only and shall not constitute a 'sale by description'. All dimensions given are nominal, while changes can be done on the information, products and specifications from time to time for a variety of reasons, without prior notice. The information in this publication is provided 'as is' on the revision date stated on the sheet. Updates will not be issued automatically. This information is not intended to have any legal effect, whether by way of advice, representation or warranty (express or implied). We accept no liability whatsoever (to the extent permitted by law) if you place any reliance on this publication you must do so at your own risk. All rights reserved. Copyright in this publication belongs to Polypipe Italia and all such copyright may not be used, sold, copied or reproduced in whole or part in any manner in any media to any person without prior consent. **EFFAST** is a registered trademark.