

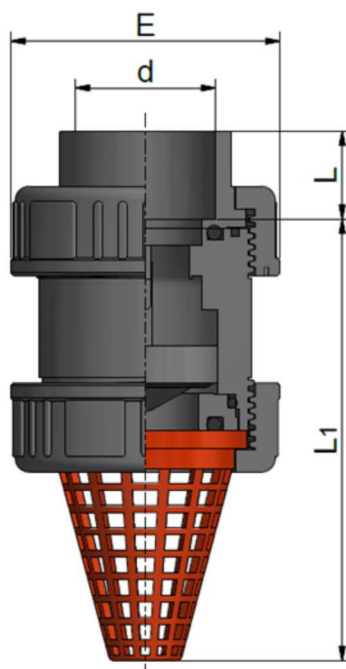
PVC-U Foot valves HV

PVC-U Valvole di fondo HV

METRIC SOLVEN WELDED SOCKETS WITH STRAINER

MANICOTTI METRICI PER INCOLLAGGIO CON SUCCHIERUOLA

Rev. Feb 2020



Code EPDM	Code FKM	d	L	L1	E	PN	Weight (g)
CDRHVDZ0200	CDRHVDZ020V	20	16	87	49	16	103
CDRHVDZ0250	CDRHVDZ025V	25	19	104	60	16	162,5
CDRHVDZ0320	CDRHVDZ032V	32	22	121,5	69	16	233,5
CDRHVDZ0400	CDRHVDZ040V	40	26	138,5	80	16	347,5
CDRHVDZ0500	CDRHVDZ050V	50	31	149,5	96	16	556,5
CDRHVDZ0630	CDRHVDZ063V	63	38	179	116	16	923,5
CDRHVDZ0750	CDRHVDZ075V	75	44	253	167	16	2673
CDRHVDZ0900	CDRHVDZ090V	90	51	141	167	16	2815
CDRHVDZ1100	CDRHVDZ110V	110	61	157	179	16	4590



NSF and WRAS certifications: only for valves with EPDM seals. Certifications and approvals are related to items declared on Official Listing or certificates. /
 Certificazioni NSF e WRAS: valide solo per le valvole con guarnizioni EPDM. Le certificazioni si riferiscono ai prodotti dichiarati nelle Official Listing o sui certificati stessi.

All descriptions and illustrations in this publication are intended for guidance only and shall not constitute a 'sale by description'. All dimensions given are nominal, while changes can be done on the information, products and specifications from time to time for a variety of reasons, without prior notice. The information in this publication is provided 'as is' on the revision date stated on the sheet. Updates will not be issued automatically. This information is not intended to have any legal effect, whether by way of advice, representation or warranty (express or implied). We accept no liability whatsoever (to the extent permitted by law) if you place any reliance on this publication you must do so at your own risk. All rights reserved. Copyright in this publication belongs to Polypipe Italia and all such copyright may not be used, sold, copied or reproduced in whole or part in any manner in any media to any person without prior consent. **EFFAST** is a registered trademark."