

PVC-U Foot valves HV

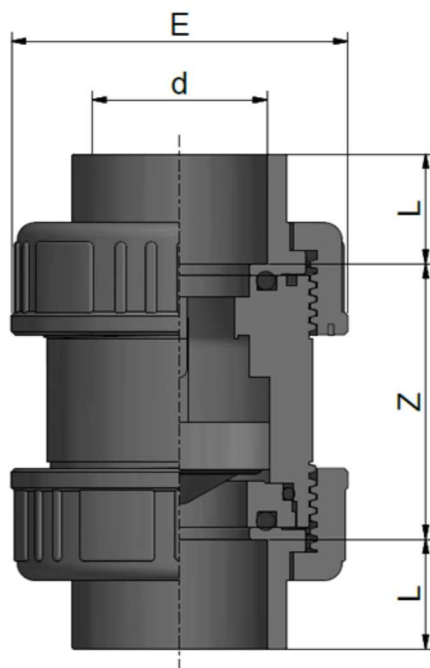
PVC-U Valvole di fondo HV

METRIC SOLVENT WELDED SOCKETS

MANICOTTI METRICI PER INCOLLAGGIO

- Seals: EPDM/ Guarnizioni: EPDM

Rev. Feb 2020



Code EPDM	Code FKM	d	DN	L	Z	E	PN	Weight (g)
CDRHVD0200	CDRHVD020V	20	15	16	48	49	16	110
CDRHVD0250	CDRHVD025V	25	20	19	54	60	16	180
CDRHVD0320	CDRHVD032V	32	25	22	62	69	16	250
CDRHVD0400	CDRHVD040V	40	32	26	69	80	16	380
CDRHVD0500	CDRHVD050V	50	40	31	81	96	16	600
CDRHVD0630	CDRHVD063V	63	50	39	94	116	16	1000
CDRHVD0750	CDRHVD075V	75	80	44	141	167	16	2800
CDRHVD0900	CDRHVD090V	90	80	51	140	167	16	3000
CDRHVD1100	CDRHVD110V	110	100	61	157	179	10	5000



NSF and WRAS certifications: only for valves with EPDM seals. Certifications and approvals are related to items declared on Official Listing or certificates. /
 Certificazioni NSF e WRAS: valide solo per le valvole con guarnizioni EPDM. Le certificazioni si riferiscono ai prodotti dichiarati nelle Official Listing o sui certificati stessi.

All descriptions and illustrations in this publication are intended for guidance only and shall not constitute a 'sale by description'. All dimensions given are nominal, while changes can be done on the information, products and specifications from time to time for a variety of reasons, without prior notice. The information in this publication is provided 'as is' on the revision date stated on the sheet. Updates will not be issued automatically. This information is not intended to have any legal effect, whether by way of advice, representation or warranty (express or implied). We accept no liability whatsoever (to the extent permitted by law) if you place any reliance on this publication you must do so at your own risk. All rights reserved. Copyright in this publication belongs to Polypipe Italia and all such copyright may not be used, sold, copied or reproduced in whole or part in any manner in any media to any person without prior consent. **EFFAST** is a registered trademark."