

## PVC-U Sediment strainers – VI series

### PVC-U Raccoglitori di impurità – serie VI

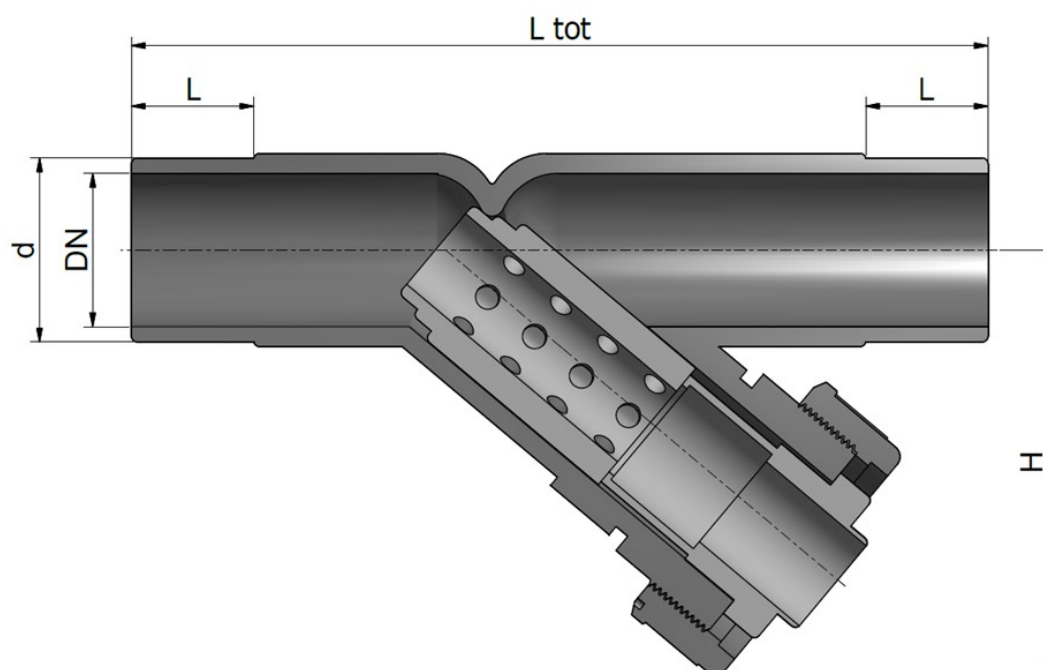
#### SOLVENT WELDED METRIC SPIGOTS

#### MANICOTTI METRICI PER INCOLLAGGIO MASCHIO

- PVC-U strainer / filtro in PVC-U

Rev. Jan 2020

FN4049



Code	d	DN	L	L tot	H	PN	Weight (g)
CDRVIT0200	20	15	16	124	72	10	120
CDRVIT0250	25	20	19	144	84	10	190
CDRVIT0320	32	25	22	154	95	10	285
CDRVIT0400	40	32	26	174	111	10	400
CDRVIT0500	50	40	31	194	120	10	600
CDRVIT0630	63	50	38	224	139	10	945

All descriptions and illustrations in this publication are intended for guidance only and shall not constitute a 'sale by description'. All dimensions given are nominal, while changes can be done on the information, products and specifications from time to time for a variety of reasons, without prior notice. The information in this publication is provided 'as is' on the revision date stated on the sheet. Updates will not be issued automatically. This information is not intended to have any legal effect, whether by way of advice, representation or warranty (express or implied). We accept no liability whatsoever (to the extent permitted by law) if you place any reliance on this publication you must do so at your own risk. All rights reserved. Copyright in this publication belongs to Polypipe Italia and all such copyright may not be used, sold, copied or reproduced in whole or part in any manner in any media to any person without prior consent. **EFFAST** is a registered trademark.

Polypipe Italia

Loc. Pianmercato 5C-5D-5H, 16044 Cicagna (GE), Italy  
Tel: +39 0185 92399 E-mail: [support@effast.com](mailto:support@effast.com)

[www.effast.com](http://www.effast.com)

**EFFAST**