

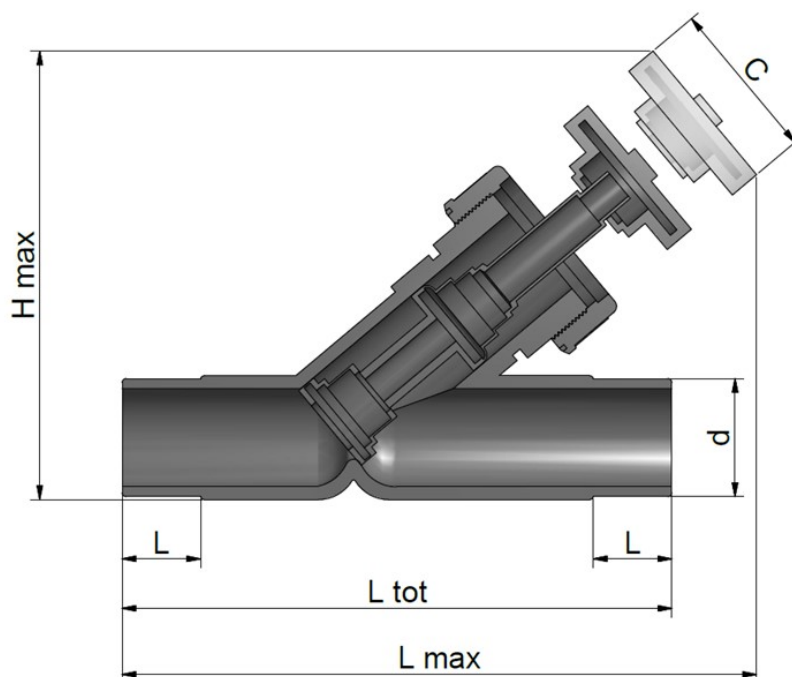
## PVC-U Inclined-Seat shut-off valves – VI series

### PVC-U Valvole di regolazione a sede inclinata – serie VI

#### SOLVENT WELDED METRIC SPIGOTS

#### MANICOTTI METRICI PER INCOLLAGGIO MASCHIO

Rev. Jan 2020



Code	d	DN	L	L tot	L max	H max	C	PN	Weight (g)
CDRVIV0200	20	15	16	124	146	124	60	10	160
CDRVIV0250	25	20	19	144	165	146	60	10	250
CDRVIV0320	32	25	22	154	188	173	70	10	380
CDRVIV0400	40	32	26	174	217	195	85	10	480
CDRVIV0500	50	40	31	194	247	222	105	10	820
CDRVIV0630	63	50	38	224	299	269	130	10	1345

All descriptions and illustrations in this publication are intended for guidance only and shall not constitute a 'sale by description'. All dimensions given are nominal, while changes can be done on the information, products and specifications from time to time for a variety of reasons, without prior notice. The information in this publication is provided 'as is' on the revision date stated on the sheet. Updates will not be issued automatically. This information is not intended to have any legal effect, whether by way of advice, representation or warranty (express or implied). We accept no liability whatsoever (to the extent permitted by law) if you place any reliance on this publication you must do so at your own risk. All rights reserved. Copyright in this publication belongs to Polypipe Italia and all such copyright may not be used, sold, copied or reproduced in whole or part in any manner in any media to any person without prior consent. **EFFAST** is a registered trademark."