

PVC-U Air release valves AV

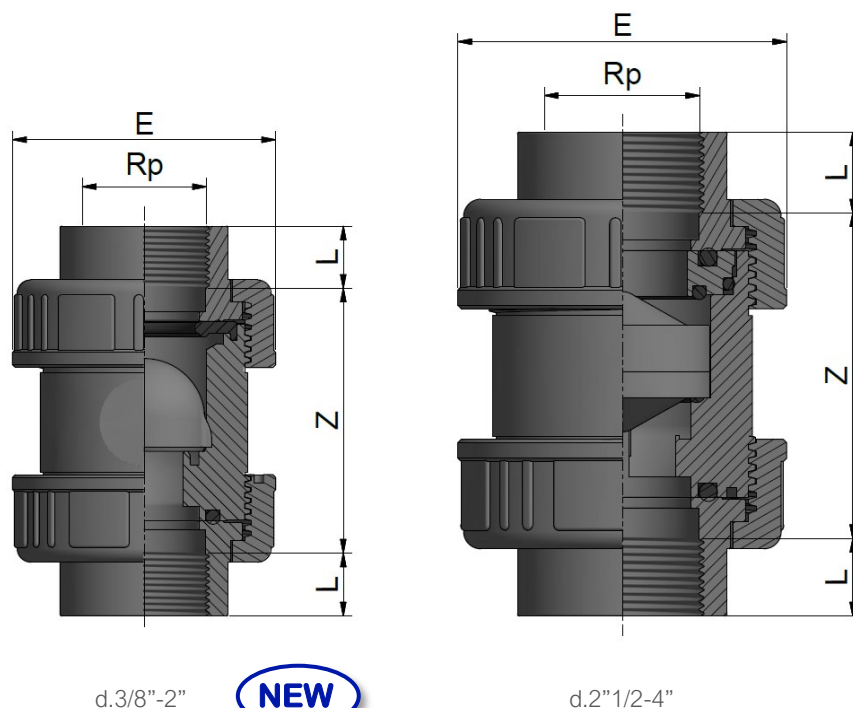
PVC-U Valvole di sfogo aria AV

BSPP THREADED SOCKETS

MANICOTTI FILETTATI BSPP

Rev. Jan 2021

- Thread according to ISO 228-1 / Filettatura secondo ISO 228-1
- Seals: EPDM / Guarnizioni: EPDM



Code EPDM	Rp	DN	L min	Z max	E	PN	Weight (g)
CERAVE016A	3/8"	15	11,4	57,2	49	16	103
CERAVE020B	1/2"	15	15	50	49	16	103
CERAVE025C	3/4"	20	16,3	59,4	60	16	169
CERAVE032D	1"	25	19,5	67	69	16	254
CERAVE040E	1"1/4	32	21,4	78,2	80	16	378
CERAVE050F	1"1/2	40	21,4	87,2	96	16	595
CERAVE063G	2"	50	25,7	98,6	116	16	1025
CERAVE075H	2"1/2	80	30,2	168,6	167	16	2800
CERAVE090I	3"	80	33,3	146,4	167	16	3000
CERAVE0110L	4"	100	39,3	205,4	179	10	5000



All descriptions and illustrations in this publication are intended for guidance only and shall not constitute a 'sale by description'. All dimensions given are nominal, while changes can be done on the information, products and specifications from time to time for a variety of reasons, without prior notice. The information in this publication is provided 'as is' on the revision date stated on the sheet. Updates will not be issued automatically. This information is not intended to have any legal effect, whether by way of advice, representation or warranty (express or implied). We accept no liability whatsoever (to the extent permitted by law) if you place any reliance on this publication you must do so at your own risk. All rights reserved. Copyright in this publication belongs to Polypipe Italia and all such copyright may not be used, sold, copied or reproduced in whole or part in any manner in any media to any person without prior consent. **EFFAST** is a registered trademark.