

PVC-U Air release valves AV

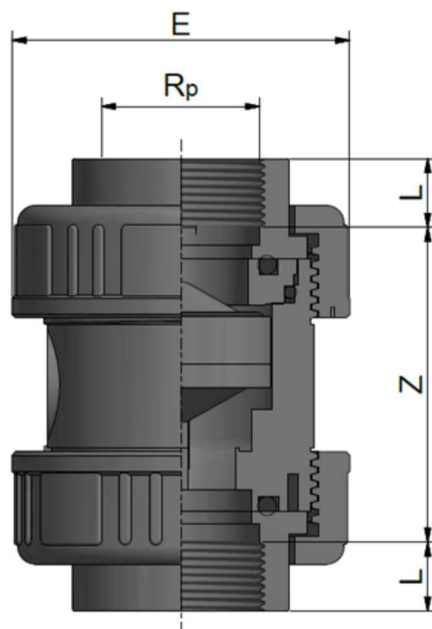
PVC-U Valvole di sfogo aria AV

BSPB THREADED SOCKETS

MANICOTTI FILETTATI BSPP

- Thread according to ISO 228-1 / Filettatura secondo ISO 228-1
- Seals: EPDM / Guarnizioni: EPDM

Rev. Feb 2020



Code EPDM	Rp	DN	L min	Z max	E	PN	Weight (g)
CERAVE016A	3/8"	15	11,4	57,2	49	16	110
CERAVE020B	1/2"	15	15	50	49	16	110
CERAVE025C	3/4"	20	16,3	59,4	60	16	180
CERAVE032D	1"	25	19,5	67	69	16	250
CERAVE040E	1"1/4	32	21,4	78,2	80	16	380
CERAVE050F	1"1/2	40	21,4	87,2	96	16	600
CERAVE063G	2"	50	25,7	98,6	116	16	1000
CERAVE075H	2"1/2	80	30,2	168,6	167	16	2800
CERAVE090I	3"	80	33,3	146,4	167	16	3000
CERAVE0110L	4"	100	39,3	205,4	179	10	5000



NSF and WRAS certifications: only for valves with EPDM seals. Certifications and approvals are related to items declared on Official Listing or certificates. /
 Certificazioni NSF e WRAS: valide solo per le valvole con guarnizioni EPDM. Le certificazioni si riferiscono ai prodotti dichiarati nelle Official Listing o sui certificati stessi.

All descriptions and illustrations in this publication are intended for guidance only and shall not constitute a 'sale by description'. All dimensions given are nominal, while changes can be done on the information, products and specifications from time to time for a variety of reasons, without prior notice. The information in this publication is provided 'as is' on the revision date stated on the sheet. Updates will not be issued automatically. This information is not intended to have any legal effect, whether by way of advice, representation or warranty (express or implied). We accept no liability whatsoever (to the extent permitted by law) if you place any reliance on this publication you must do so at your own risk. All rights reserved. Copyright in this publication belongs to Polypipe Italia and all such copyright may not be used, sold, copied or reproduced in whole or part in any manner in any media to any person without prior consent. **EFFAST** is a registered trademark."