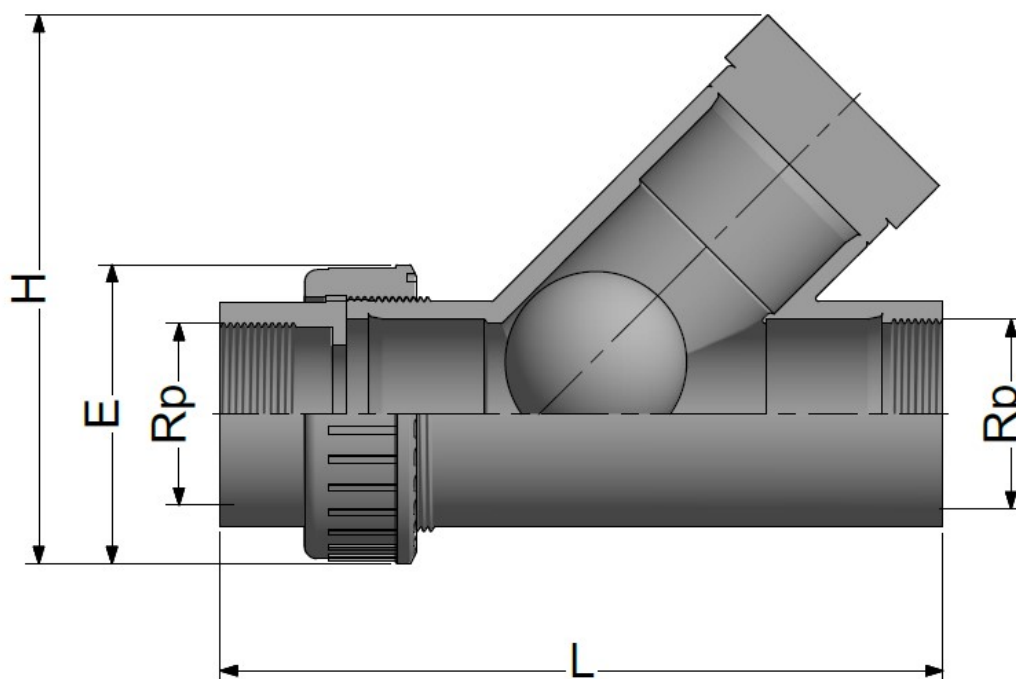


PVC-U Angle seat ball check valves - CP series
PVC-U Valvole di ritegno a sfera a sede inclinata - serie CP

BS SOLVENT WELDED SOCKETS
MANICOTTI BS PER INCOLLAGGIO

Rev. Jul 2021
 FN4853



Code	Rp	DN	L	H	E	PN	Weight (g)
CERCPE0160.T	3/8"	10	85	78	49	10	109
CERCPE0200.T	1/2"	15	85	78	49	10	100
CERCPE0250.T	3/4"	20	94	92	57	10	154
CERCPE0320.T	1"	25	140	127	72	10	348
CERCPE0400.T	1"1/4	32	161	145	88	10	535
CERCPE0500.T	1"1/2	40	183	170	103	10	872
CERCPE0630.T	2"	50	220	220	120	10	1510
CERCPE0750.T	2"1/2	65	255	255	150	10	2450
CERCPE0900.T	3"	80	315	280	181	10	3935

All descriptions and illustrations in this publication are intended for guidance only and shall not constitute a 'sale by description'. All dimensions given are nominal, while changes can be done on the information, products and specifications from time to time for a variety of reasons, without prior notice. The information in this publication is provided 'as is' on the revision date stated on the sheet. Updates will not be issued automatically. This information is not intended to have any legal effect, whether by way of advice, representation or warranty (express or implied). We accept no liability whatsoever (to the extent permitted by law) if you place any reliance on this publication you must do so at your own risk. All rights reserved. Copyright in this publication belongs to Polypipe Italia and all such copyright may not be used, sold, copied or reproduced in whole or part in any manner in any media to any person without prior consent. **EFFAST** is a registered trademark.