

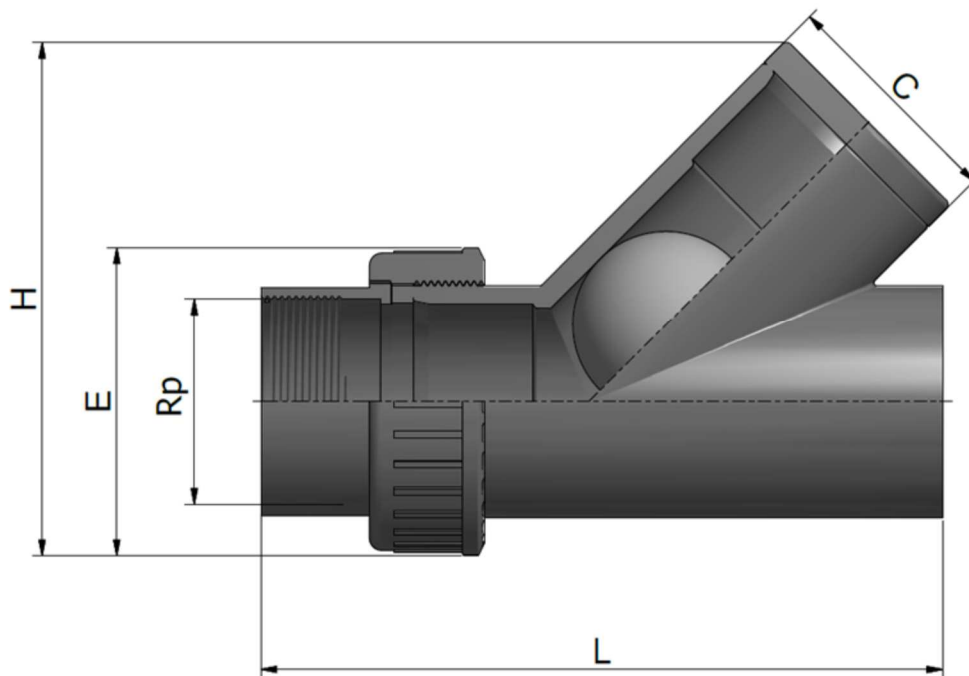
PVC-U Angle seat ball check valves CP

PVC-U Valvole di non ritorno a palla a sede inclinata CP

BS SOLVENT WELDED SOCKETS
MANICOTTI BS PER INCOLLAGGIO

Rev. Jan 2020

FN4853



Code	Rp	DN	L	H	C	E	PN	Weight (g)
CERCPE0160.T	3/8"	15	85	78	34	49	10	110
CERCPE0200.T	1/2"	15	85	78	34	49	10	100
CERCPE0250.T	3/4"	20	94	92	41	57	10	155
CERCPE0320.T	1"	25	112	104	59	67	10	216
CERCPE0400.T	1"1/4	32	144	127	61	81	10	420
CERCPE0500.T	1"1/2	40	158	158	71	99	10	691
CERCPE0630.T	2"	50	190	181	90	112	10	1125
CERCPE0750.T	2"1/2	65	270	238	114	154	10	3420
CERCPE0900.T	3"	80	324	286	137	178	10	4102

All descriptions and illustrations in this publication are intended for guidance only and shall not constitute a 'sale by description'. All dimensions given are nominal, while changes can be done on the information, products and specifications from time to time for a variety of reasons, without prior notice. The information in this publication is provided 'as is' on the revision date stated on the sheet. Updates will not be issued automatically. This information is not intended to have any legal effect, whether by way of advice, representation or warranty (express or implied). We accept no liability whatsoever (to the extent permitted by law) if you place any reliance on this publication you must do so at your own risk. All rights reserved. Copyright in this publication belongs to Polypipe Italia and all such copyright may not be used, sold, copied or reproduced in whole or part in any manner in any media to any person without prior consent. **EFFAST** is a registered trademark."