

PVC-U True union spring check valves CV

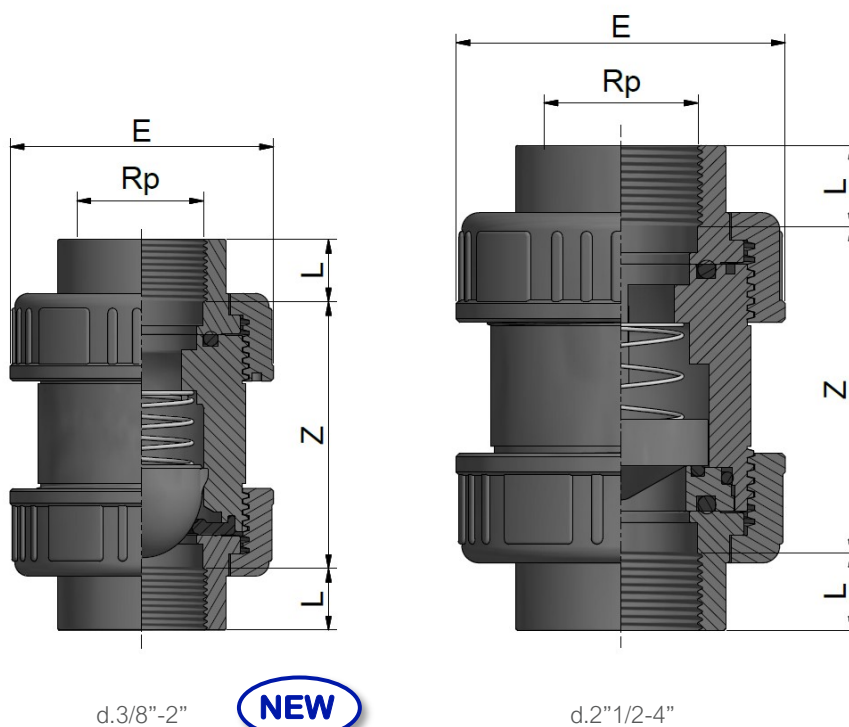
PVC-U Valvole di ritegno bighiera a molla CV

BSPB THREADED SOCKETS

MANICOTTI FILETTATI BSPB

Rev. Aug 2021

- Thread according to ISO 228-1 / *Filettatura secondo ISO 228-1*
- Spring: PTFE coated stainless steel / *Molla: acciaio inox rivestito PTFE*
- Seals: EPDM or FKM / *Guarnizioni: EPDM o FKM*



Code EPDM	Code FKM	d	DN	L	Z	E	PN	Weight (g)
CERCVE016A	CERCVE016V	3/8"	15	11,4	57,2	49	16	104
CERCVE020B	CERCVE020V	1/2"	15	15	50	49	16	104
CERCVE025C	CERCVE025V	3/4"	20	16,3	59,4	60	16	170
CERCVE032D	CERCVE032V	1"	25	19,5	67	69	16	251
CERCVE040E	CERCVE040V	1"1/4	32	21,4	78,2	80	16	378
CERCVE050F	CERCVE050V	1"1/2	40	21,4	87,2	96	16	593
CERCVE063G	CERCVE063V	2"	50	25,7	98,6	116	16	1025
CERCVE075H	CERCVE075V	2"1/2	65	30,2	168,6	167	16	2800
CERCVE090I	CERCVE090V	3"	80	33,3	146,4	167	16	3000
CERCVE110I	CERCVE110I	4"	80	39,3	205,4	179	10	5000



All descriptions and illustrations in this publication are intended for guidance only and shall not constitute a 'sale by description'. All dimensions given are nominal, while changes can be done on the information, products and specifications from time to time for a variety of reasons, without prior notice. The information in this publication is provided 'as is' on the revision date stated on the sheet. Updates will not be issued automatically. This information is not intended to have any legal effect, whether by way of advice, representation or warranty (express or implied). We accept no liability whatsoever (to the extent permitted by law) if you place any reliance on this publication you must do so at your own risk. All rights reserved. Copyright in this publication belongs to Polypipe Italia and all such copyright may not be used, sold, copied or reproduced in whole or part in any manner in any media to any person without prior consent. **EFFAST** is a registered trademark.